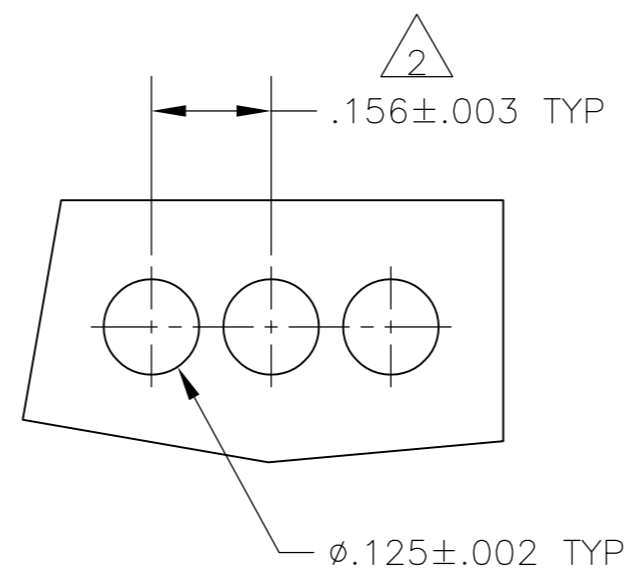
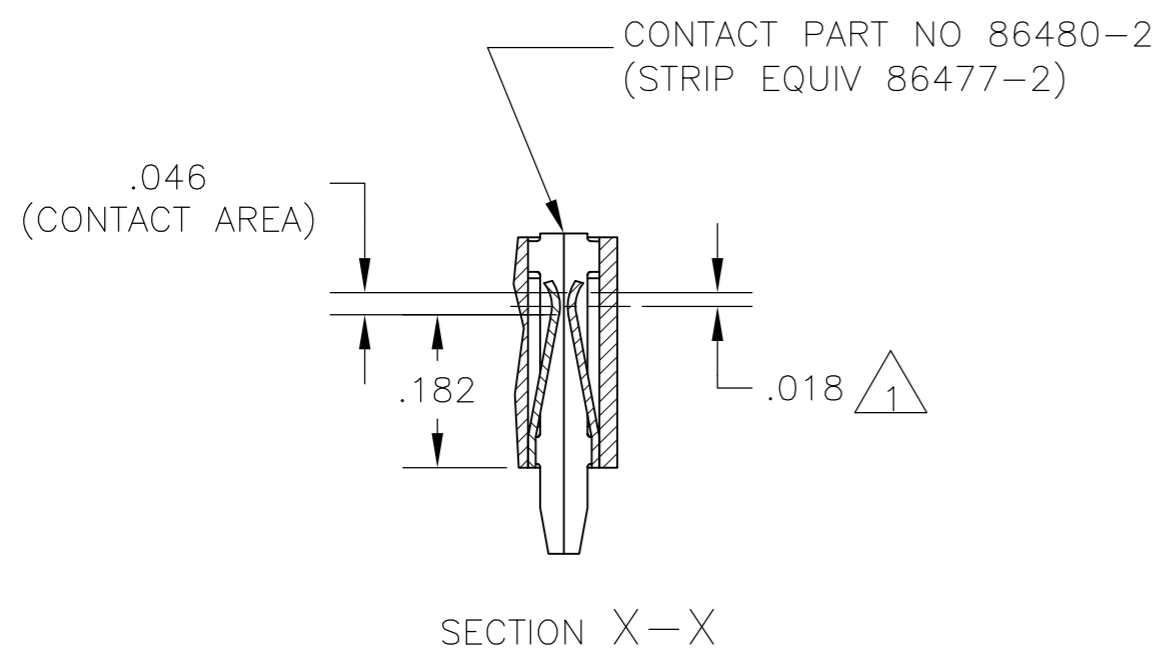


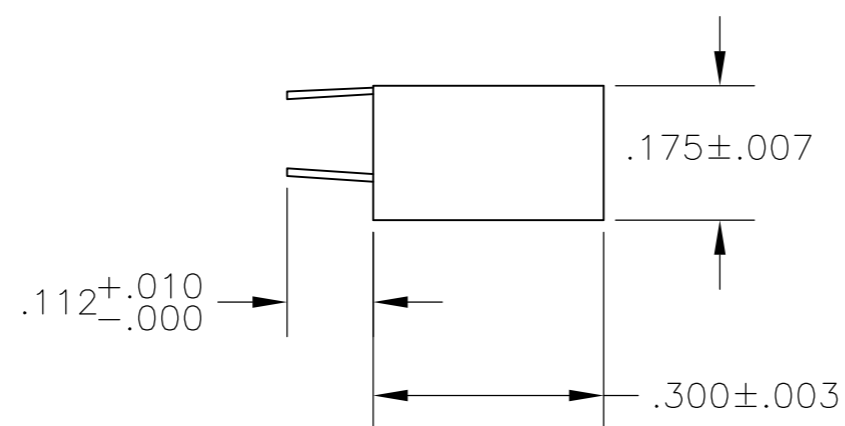
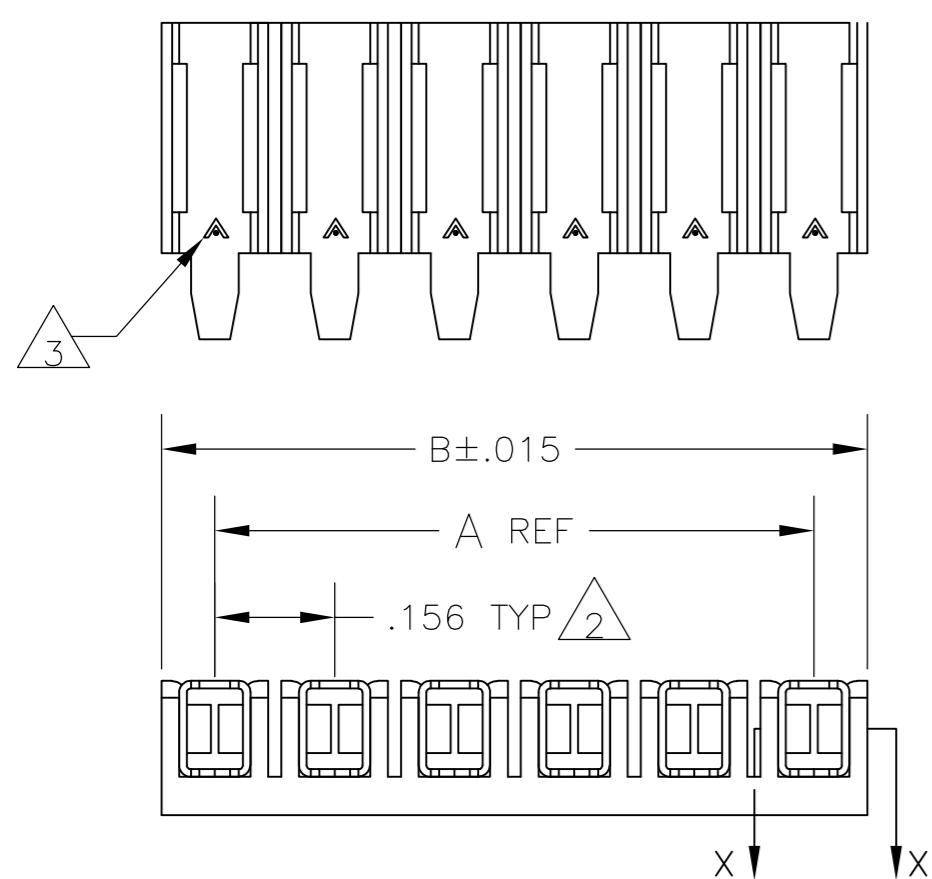
THIS DRAWING IS UNPUBLISHED. RELEASED FOR PUBLICATION
 © COPYRIGHT BY TYCO ELECTRONICS CORPORATION. ALL RIGHTS RESERVED.

LOC		DIST		REVISIONS			
P	LTR	DESCRIPTION	DATE	DWN	APVD		
	J2	REVISED ECO-10-018971	17SEP10	HMR	JO		



RECOMMENDED BOARD MOUNTING
 (RECOMMENDED BOARD THICKNESS: .055-.070)

- 1 POINT OF MEASUREMENT FOR PLATING THICKNESS (INSIDE OF BEAMS).
- 2 TOLERANCE NON-CUMULATIVE.
- 3 THE MATING END OF THE CONTACT IS IDENTIFIED BY THE LETTER "A" STAMPED ON THE RECEPTACLE BOX.
- 4 OBSOLETE PARTS: OBSOLETE CIS STREAMLINING PER D.RENAUD/D.SINISI



B	A	NO OF POSN	ASSEMBLY PART NUMBER
	2.964	19	1-87984-9
	2.808	18	1-87984-8
	2.652	17	1-87984-7
	2.496	16	1-87984-6
	2.340	15	1-87984-5
	2.184	14	1-87984-4
	2.028	13	1-87984-3
	1.872	12	1-87984-2
	1.716	11	1-87984-1
	1.560	10	1-87984-0
	1.404	9	87984-9
	1.248	8	87984-8
	1.092	7	87984-7
	.936	6	87984-6
	.780	5	87984-5
	.624	4	87984-4
	.468	3	87984-3
	.312	2	87984-2

THIS DRAWING IS A CONTROLLED DOCUMENT.		DWN L D RINGLEY 17MAR86	Tyco Electronics Corporation Harrisburg, PA 17105-3608	
DIMENSIONS: INCHES		CHK P C DEJONG 18MAR86	NAME ASSY, MOD I, BOARD MOUNT RECP, .156CL, STD PRESSURE, TYPE A, FOR ROUND HOLE MOUNTING	
TOLERANCES UNLESS OTHERWISE SPECIFIED:		APVD P C DEJONG 18MAR86	PRODUCT SPEC 108-25,016	RESTRICTED TO -
0 PLC ± -		APPLICATION SPEC 114-25,004	SIZE A2	CAGE CODE 00779
1 PLC ± -		WEIGHT -	SCALE 4:1	SHEET 1 OF 1
2 PLC ± -		CUSTOMER DRAWING		
3 PLC ± .005		REV J2		
4 PLC ± -				
ANGLES ± -				
MATERIAL HOUSING-FLAME RETARDANT THERMOPLASTIC, COLOR-BLACK CONTACTS: PHOS BRONZE		FINISH .000030 GOLD IN THE CONTACT AREA, GOLD FLASH ON THE REMAINDER, ALL OVER .000050 NICKEL		

X-ON Electronics

Largest Supplier of Electrical and Electronic Components

Click to view similar products for [Headers & Wire Housings](#) category:

Click to view products by [TE Connectivity](#) manufacturer:

Other Similar products are found below :

[892-18-020-10-001101](#) [58102-G61-06LF](#) [582553-1](#) [0009485154](#) [009176003701906](#) [0050291907](#) [LY20-4P-DT1-P1E-BR](#) [02.125.8002.8](#)
[609-3404](#) [61062-3](#) [61082-181009](#) [622-3653LF](#) [63453-116](#) [636-1030](#) [636-1427](#) [636-3427](#) [636-4007](#) [641938-9](#) [641991-4](#) [644827-2](#) [65817-](#)
[010LF](#) [65817-015LF](#) [65863-015LF](#) [66207-023LF](#) [67095-007LF](#) [67601157](#) [68645-018](#) [68648-049](#) [70.362.1628.0](#) [70-4210](#) [70-4226B](#) [70-](#)
[4853B](#) [707-5020](#) [707-5028](#) [71.350.2428.0](#) [71918-208LF](#) [71961-016LF](#) [733-134](#) [733-162](#) [754199-000](#) [760-3052](#) [79531-3000](#) [FCN-](#)
[360C032-B](#) [FCN-367T-T012/H](#) [FCN-723D010/2](#) [80.063.4001.1](#) [800-90-001-10-001000](#) [800-90-010-10-002000](#) [801-43-002-10-013000](#)
[801-43-006-10-002000](#)