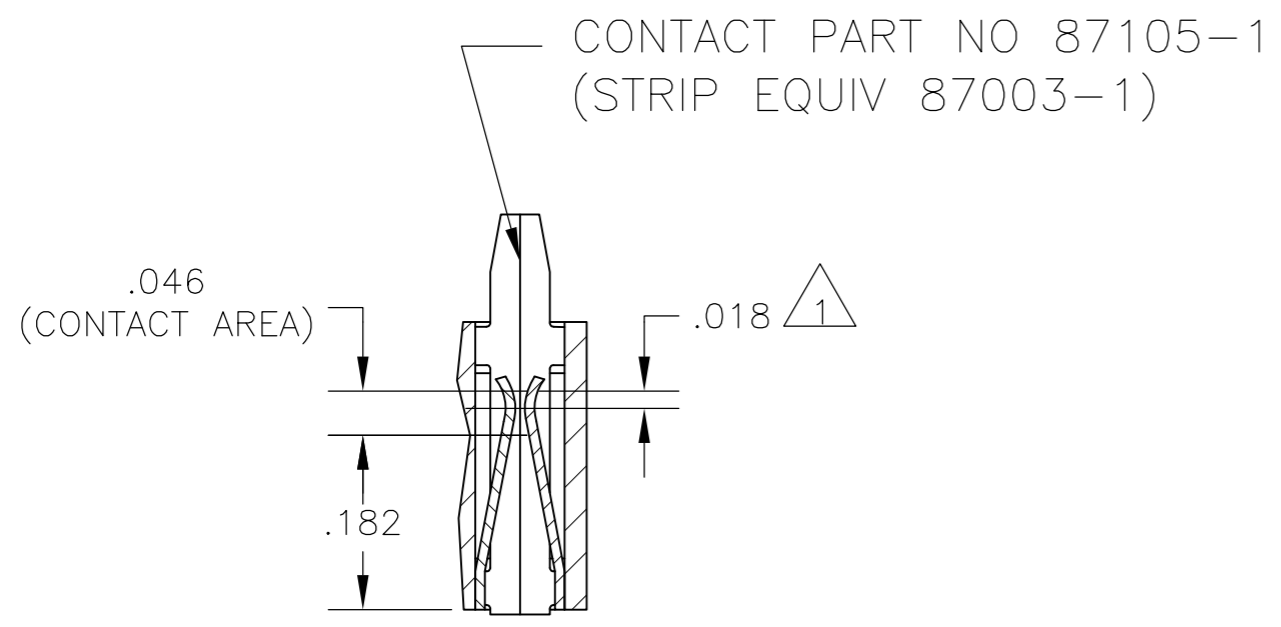
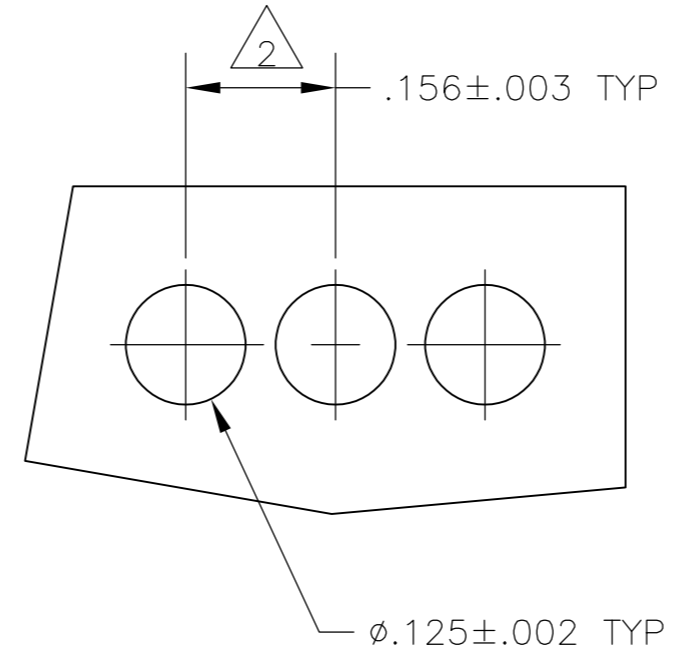


THIS DRAWING IS UNPUBLISHED. RELEASED FOR PUBLICATION
 © COPYRIGHT BY TYCO ELECTRONICS CORPORATION. ALL RIGHTS RESERVED.

LOC	DIST	REVISIONS			
P	LTR	DESCRIPTION	DATE	DWN	APVD
AD	00	K1	REVISED ECO-09-024927	06NOV09	KK AEG

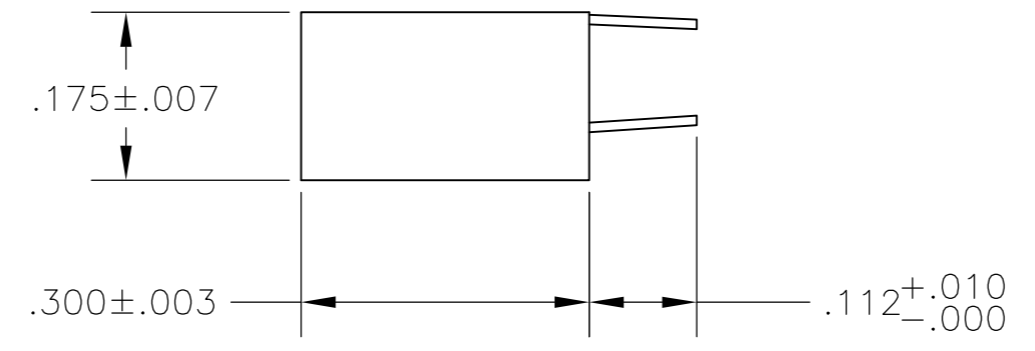
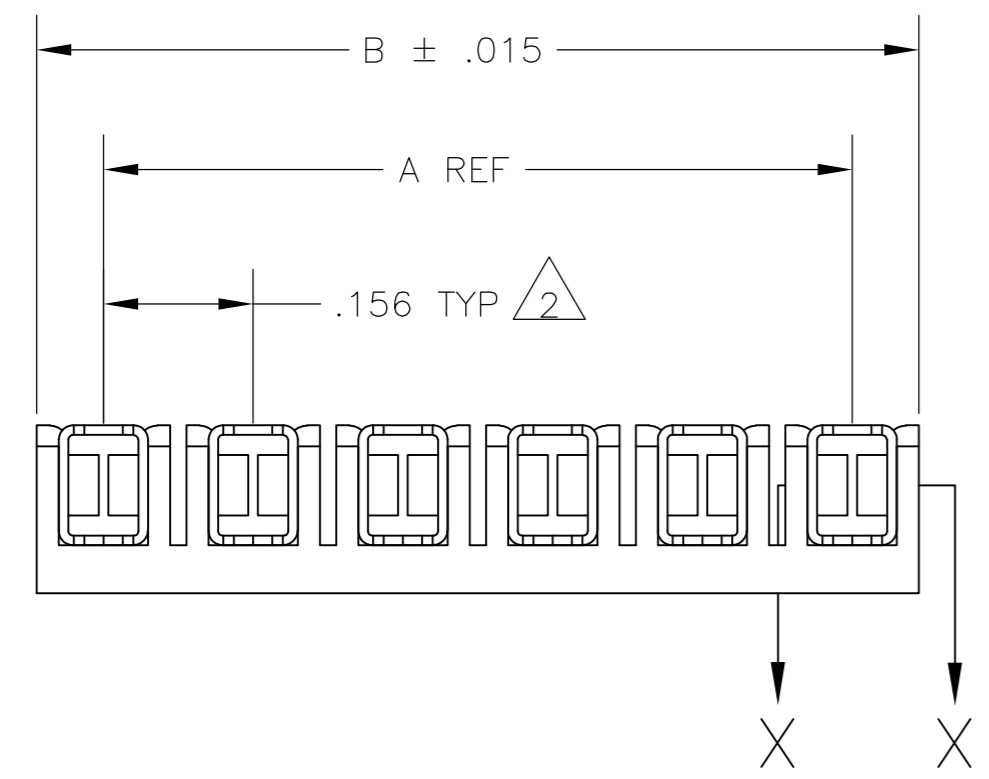
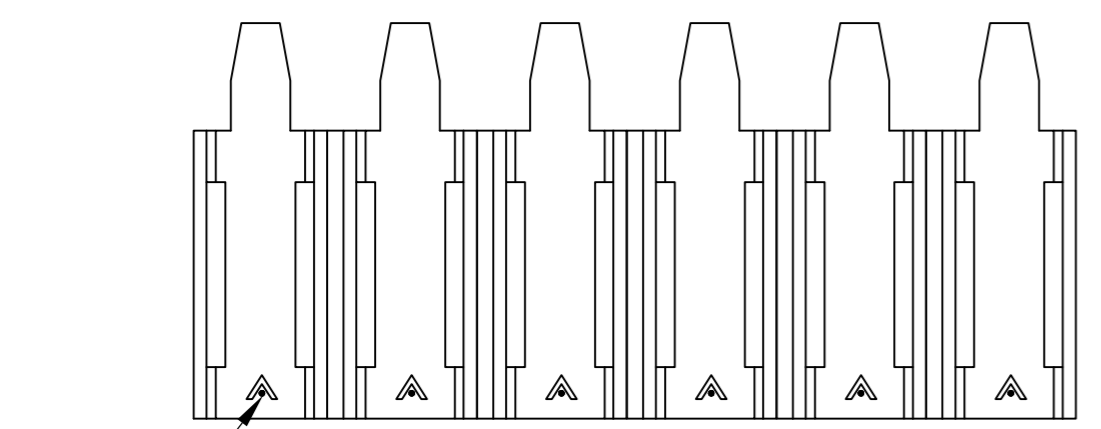


SECTION X-X



RECOMMENDED BOARD MOUNTING
 (RECOMMENDED BOARD THICKNESS: .055-.070)

- △1 POINT OF MEASUREMENT FOR PLATING THICKNESS (INSIDE OF BEAMS).
- △2 TOLERANCE NON-CUMULATIVE.
- △3 THE MATING END OF THE CONTACT IS IDENTIFIED BY THE LETTER "A" STAMPED ON THE RECEPTACLE BOX.
- △4 OBSOLETE PARTS: OBSOLETE CIS STREAMLINING PER D.RENAUD/D.SINISI



	3.120	2.964	20	-2-87986-0-
OBSOLETE △4	2.964	2.808	19	-1-87986-9-
	2.808	2.652	18	-1-87986-8-
	2.652	2.496	17	-1-87986-7-
	2.496	2.340	16	-1-87986-6-
	2.340	2.184	15	-1-87986-5-
	2.184	2.028	14	1-87986-4
△4 OBSOLETE	2.028	1.872	13	-1-87986-3-
	1.872	1.716	12	1-87986-2
△4 OBSOLETE	1.716	1.560	11	-1-87986-1-
	1.560	1.404	10	1-87986-0
OBSOLETE △4	1.404	1.248	9	-87986-9-
	1.248	1.092	8	-87986-8-
	1.092	.936	7	87986-7
	.936	.780	6	87986-6
	.780	.624	5	87986-5
	.624	.468	4	87986-4
△4 OBSOLETE	.468	.312	3	-87986-3-
	.312	.156	2	87986-2
	B	A	NO OF POSN	ASSEMBLY PART NUMBER

THIS DRAWING IS A CONTROLLED DOCUMENT.

DIMENSIONS: INCHES	TOLERANCES UNLESS OTHERWISE SPECIFIED:	DWN L D RINGLEY 17MAR86	Tyco Electronics Corporation Harrisburg, Pa 17105-3608
	0 PLC ± -	CHK P deJONG 18MAR86	
	1 PLC ± -	APVD P deJONG 18MAR86	
	2 PLC ± -	NAME	
	3 PLC ± .005	PRODUCT SPEC	
4 PLC ± -	APPLICATION SPEC	108-25,016	ASSY, MOD I, BOARD MOUNT RCP, .156 CL, STD PRESSURE, TYPE B, FOR ROUND HOLE MOUNTING
ANGLES ± -	FINISH	114-25,004	SIZE CAGE CODE DRAWING NO RESTRICTED TO
MATERIAL HOUSING - FLAME RETARDANT THERMOPLASTIC, COLOR - BLACK CONTACTS - PHOS. BRONZE	.000030 GOLD IN THE CONTACT AREA, GOLD FLASH ON THE REMAINDER, ALL OVER .000050 NICKEL	WEIGHT 114-25,004	A2 00779 C=87986
CUSTOMER DRAWING		SCALE 5:1	SHEET 1 OF 1 REV K1

X-ON Electronics

Largest Supplier of Electrical and Electronic Components

Click to view similar products for [Headers & Wire Housings](#) category:

Click to view products by [TE Connectivity](#) manufacturer:

Other Similar products are found below :

[892-18-020-10-001101](#) [58102-G61-06LF](#) [582553-1](#) [0009485154](#) [009176003701906](#) [0050291907](#) [LY20-4P-DT1-P1E-BR](#) [02.125.8002.8](#)
[609-3404](#) [61062-3](#) [61082-181009](#) [622-3653LF](#) [63453-116](#) [636-1030](#) [636-1427](#) [636-3427](#) [636-4007](#) [641938-9](#) [641991-4](#) [644827-2](#) [65817-](#)
[010LF](#) [65817-015LF](#) [65863-015LF](#) [66207-023LF](#) [67095-007LF](#) [67601157](#) [68645-018](#) [68648-049](#) [70.362.1628.0](#) [70-4210](#) [70-4226B](#) [70-](#)
[4853B](#) [707-5020](#) [707-5028](#) [71.350.2428.0](#) [71918-208LF](#) [71961-016LF](#) [733-134](#) [733-162](#) [754199-000](#) [760-3052](#) [787-8014-00](#) [79531-3000](#)
[FCN-360C032-B](#) [FCN-367T-T012/H](#) [FCN-723D010/2](#) [80.063.4001.1](#) [800-90-001-10-001000](#) [800-90-010-10-002000](#) [801-43-002-10-013000](#)