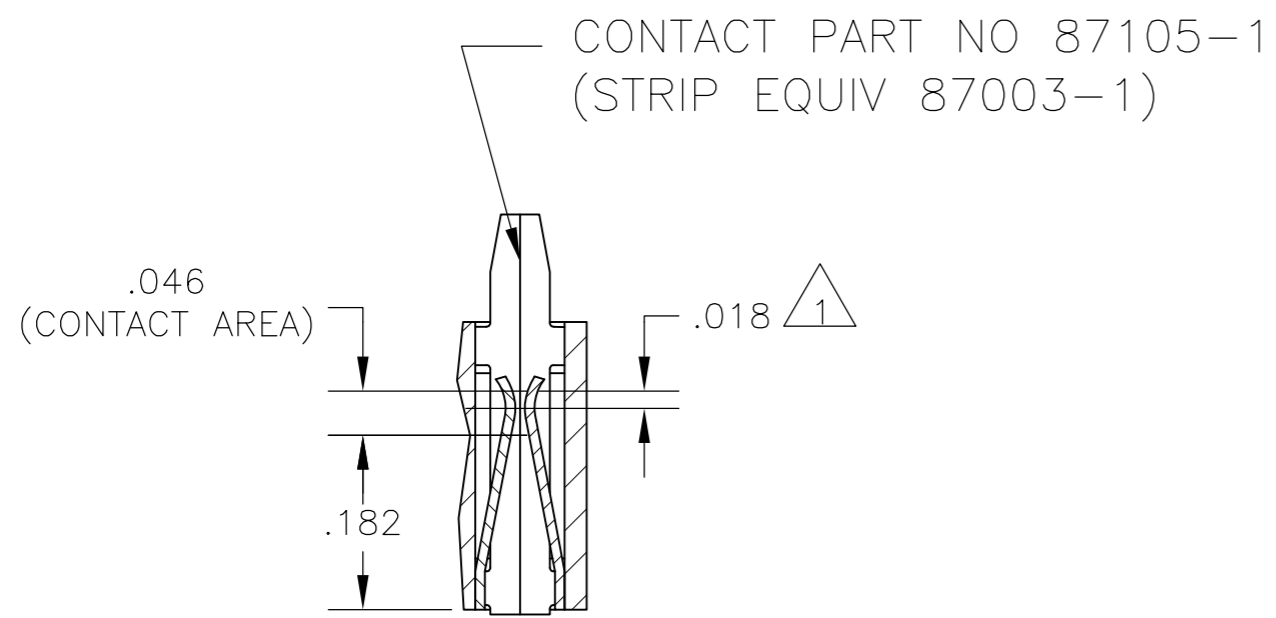
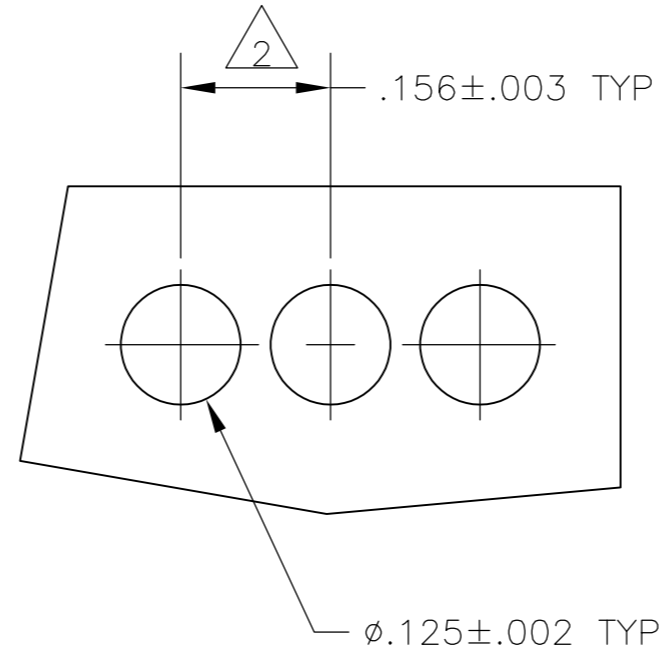


THIS DRAWING IS UNPUBLISHED. RELEASED FOR PUBLICATION  
 © COPYRIGHT BY TYCO ELECTRONICS CORPORATION. ALL RIGHTS RESERVED.

LOC	DIST	REVISIONS			
P	LTR	DESCRIPTION	DATE	DWN	APVD
AD	00	K1 REVISED ECO-09-024927	06NOV09	KK	AEG

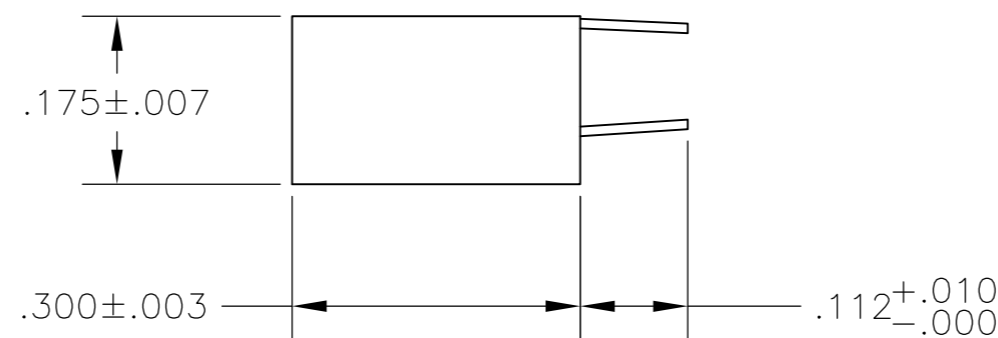
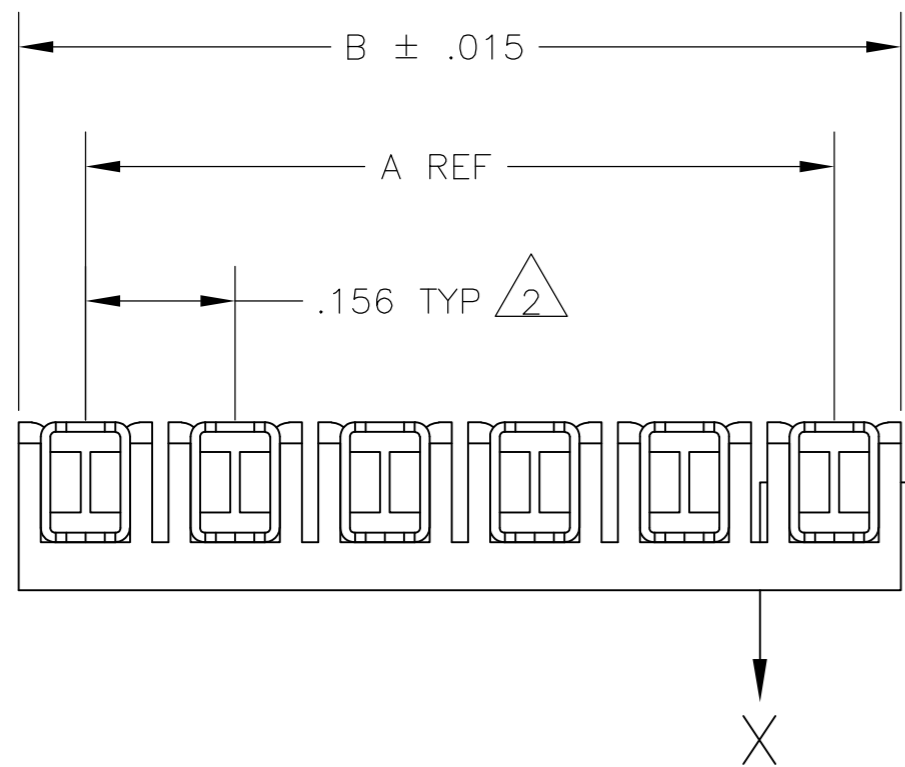
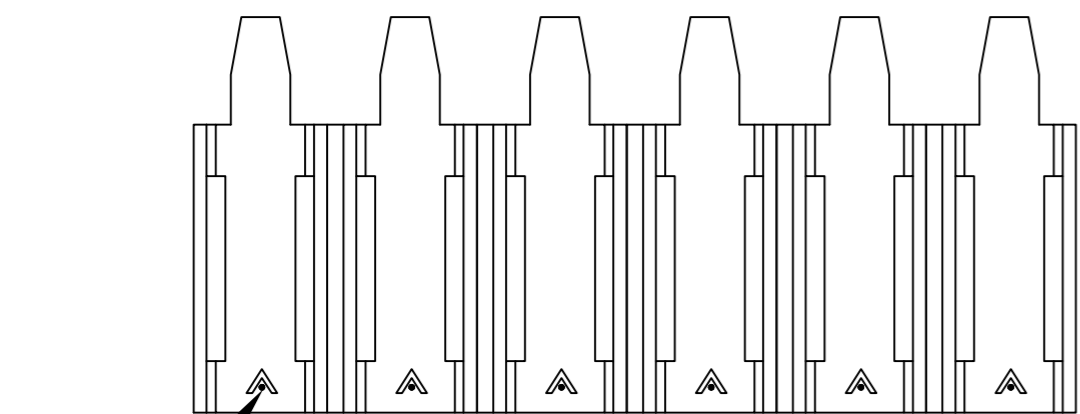


SECTION X-X



RECOMMENDED BOARD MOUNTING  
(RECOMMENDED BOARD THICKNESS: .055-.070)

- △1 POINT OF MEASUREMENT FOR PLATING THICKNESS (INSIDE OF BEAMS).
- △2 TOLERANCE NON-CUMULATIVE.
- △3 THE MATING END OF THE CONTACT IS IDENTIFIED BY THE LETTER "A" STAMPED ON THE RECEPTACLE BOX.
- △4 OBSOLETE PARTS: OBSOLETE CIS STREAMLINING PER D.RENAUD/D.SINISI



OBSOLETE △4	3.120	2.964	20	<del>2-87986-0</del>
	2.964	2.808	19	<del>1-87986-9</del>
	2.808	2.652	18	<del>1-87986-8</del>
	2.652	2.496	17	<del>1-87986-7</del>
	2.496	2.340	16	<del>1-87986-6</del>
	2.340	2.184	15	<del>1-87986-5</del>
	2.184	2.028	14	1-87986-4
△4 OBSOLETE	2.028	1.872	13	<del>1-87986-3</del>
	1.872	1.716	12	1-87986-2
△4 OBSOLETE	1.716	1.560	11	<del>1-87986-1</del>
	1.560	1.404	10	1-87986-0
OBSOLETE △4	1.404	1.248	9	<del>87986-9</del>
	1.248	1.092	8	<del>87986-8</del>
	1.092	.936	7	87986-7
	.936	.780	6	87986-6
	.780	.624	5	87986-5
	.624	.468	4	87986-4
△4 OBSOLETE	.468	.312	3	<del>87986-3</del>
	.312	.156	2	87986-2
	B	A	NO OF POSN	ASSEMBLY PART NUMBER

THIS DRAWING IS A CONTROLLED DOCUMENT.		DWN L D RINGLEY 17MAR86	Tyco Electronics Corporation Harrisburg, Pa 17105-3608	
DIMENSIONS: INCHES	TOLERANCES UNLESS OTHERWISE SPECIFIED:	CHK P deJONG 18MAR86	NAME ASSY, MOD I, BOARD MOUNT RCP, .156 CL, STD PRESSURE, TYPE B, FOR ROUND HOLE MOUNTING	
	0 PLC ± -	APVD P deJONG 18MAR86	PRODUCT SPEC 108-25,016	RESTRICTED TO -
	1 PLC ± -		APPLICATION SPEC 114-25,004	
	2 PLC ± -		WEIGHT 114-25,004	
	3 PLC ± .005		CUSTOMER DRAWING	
	4 PLC ± -		SCALE 5:1	SHEET 1 OF 1
	ANGLES ± -		SIZE A2	CAGE CODE 00779
MATERIAL: HOUSING - FLAME RETARDANT THERMOPLASTIC, COLOR - BLACK, CONTACTS - PHOS. BRONZE	FINISH: .000030 GOLD IN THE CONTACT AREA, GOLD FLASH ON THE REMAINDER, ALL OVER .000050 NICKEL		DRAWING NO C=87986	REV K1

## X-ON Electronics

Largest Supplier of Electrical and Electronic Components

*Click to view similar products for [Headers & Wire Housings](#) category:*

*Click to view products by [TE Connectivity](#) manufacturer:*

Other Similar products are found below :

[892-18-020-10-001101](#) [58102-G61-06LF](#) [582553-1](#) [0009485154](#) [009176003701906](#) [0050291907](#) [LY20-4P-DT1-P1E-BR](#) [02.125.8002.8](#)  
[609-3404](#) [61062-3](#) [61082-181009](#) [622-3653LF](#) [63453-116](#) [636-1030](#) [636-1427](#) [636-3427](#) [636-4007](#) [641938-9](#) [641991-4](#) [644827-2](#) [65817-](#)  
[010LF](#) [65817-015LF](#) [65863-015LF](#) [66207-023LF](#) [67095-007LF](#) [67601157](#) [68645-018](#) [68648-049](#) [70.362.1628.0](#) [70-4210](#) [70-4226B](#) [70-](#)  
[4853B](#) [707-5020](#) [707-5028](#) [71.350.2428.0](#) [71918-208LF](#) [71961-016LF](#) [733-134](#) [733-162](#) [754199-000](#) [760-3052](#) [787-8014-00](#) [79531-3000](#)  
[FCN-360C032-B](#) [FCN-367T-T012/H](#) [FCN-723D010/2](#) [80.063.4001.1](#) [800-90-001-10-001000](#) [800-90-010-10-002000](#) [801-43-002-10-013000](#)