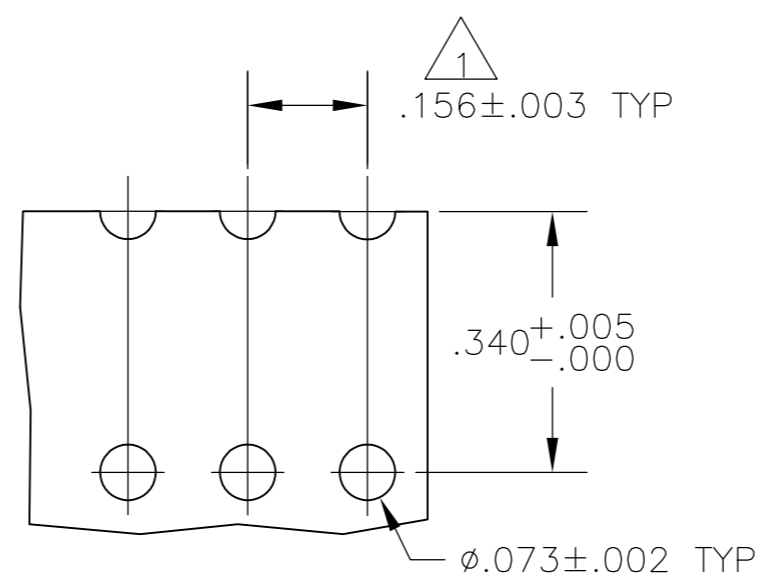
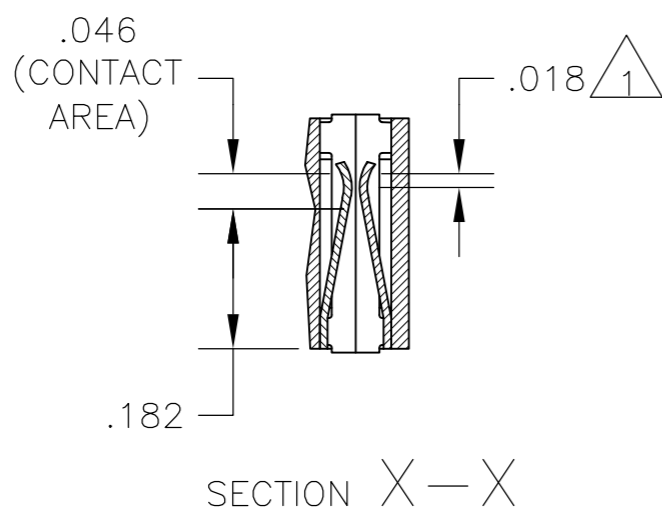
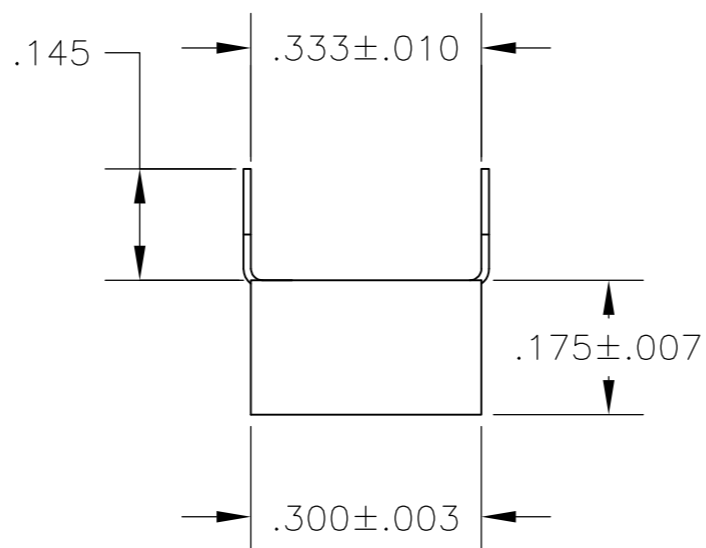
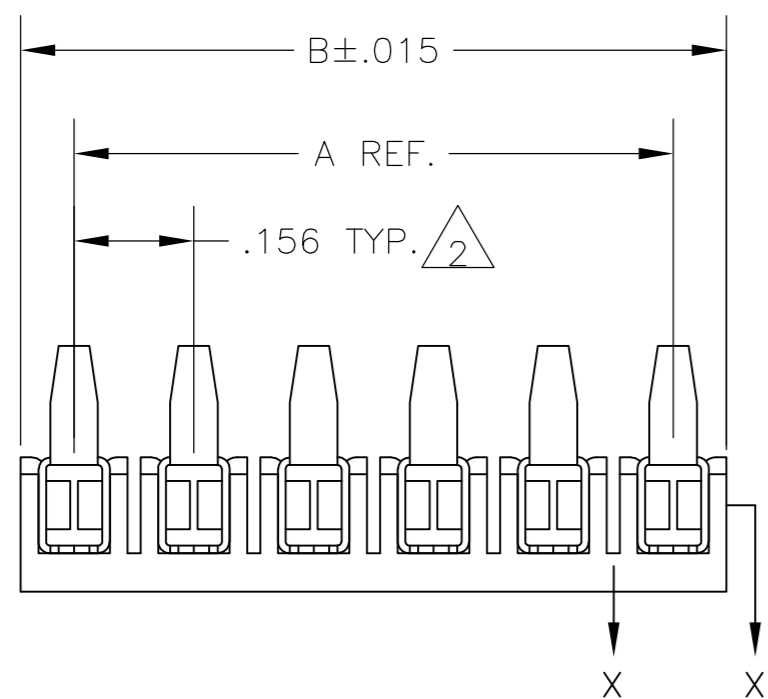
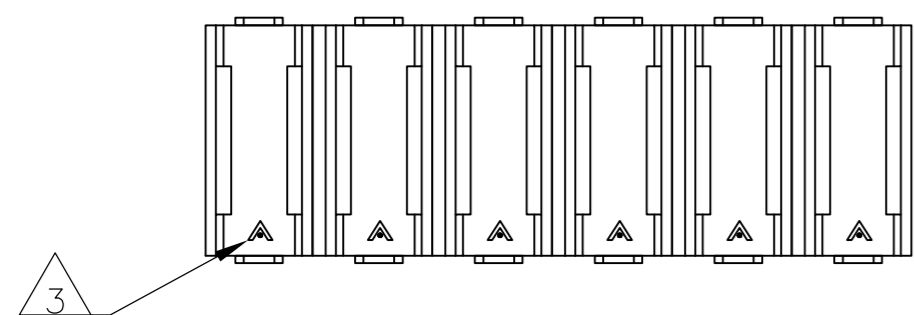


THIS DRAWING IS UNPUBLISHED. RELEASED FOR PUBLICATION  
 © COPYRIGHT BY TYCO ELECTRONICS CORPORATION. ALL RIGHTS RESERVED.

LOC	DIST	REVISIONS					
AD	OO	P	LTR	DESCRIPTION	DATE	DWN	APVD
		K1		REVISED ECO-09-024927	06NOV09	KK	AEG



- 1 POINT OF MEASUREMENT FOR PLATING THICKNESS (INSIDE OF BEAMS).
- 2 TOLERANCE NON-CUMULATIVE.
- 3 THE MATING END OF THE CONTACT IS IDENTIFIED BY THE LETTER "A" STAMPED ON THE RECEPTACLE BOX.
- 4 OBSOLETE PARTS: OBSOLETE CIS STREAMLINING PER D.RENAUD/D.SINISI



	B	A	NO OF POSN	ASSEMBLY PART NUMBER
<del>4</del> OBSOLETE	3.120	2.964	20	-2-87988-0
	2.964	2.808	19	1-87988-9
<del>4</del> OBSOLETE	2.808	2.652	18	-1-87988-8
	2.652	2.496	17	1-87988-7
OBSOLETE 4	2.496	2.340	16	-1-87988-6
	2.340	2.184	15	-1-87988-5
	2.184	2.028	14	-1-87988-4
	2.028	1.872	13	-1-87988-3
	1.872	1.716	12	-1-87988-2
	1.716	1.560	11	-1-87988-1
	1.560	1.404	10	1-87988-0
OBSOLETE 4	1.404	1.248	9	-87988-9
	1.248	1.092	8	-87988-8
	1.092	.936	7	87988-7
	.936	.780	6	87988-6
	.780	.624	5	87988-5
	.624	.468	4	87988-4
	.468	.312	3	87988-3
<del>4</del> OBSOLETE	.312	.156	2	-87988-2

THIS DRAWING IS A CONTROLLED DOCUMENT.

DWN	L A MAYER	17MAR86
CHK	P deJONG	17MAR86
APVD	P deJONG	17MAR86

Tyco Electronics Corporation  
 Harrisburg, Pa 17105-3608

NAME: ASSY, MOD I, BOARD MOUNT RECP, .156 CL, STD PRESSURE, TYPE C, FOR ROUND HOLE MOUNTING

SIZE	CAGE CODE	DRAWING NO	RESTRICTED TO
A2	00779	C=87988	-

SCALE: 4:1 SHEET 1 OF 1 REV K1

MATERIAL: RB-000030 INGERFAMETIC. COLOR-BLACK CONTACTS- PHOS BRONZE  
 FINISH: .000030 GOLD TO CONTACT AREA, GOLD FLASH ON THE REMAINDER, ALL OVER .000050 NICKEL

PRODUCT SPEC: 108-25,016  
 APPLICATION SPEC: 108-25,016

WEIGHT: -

CUSTOMER DRAWING

## X-ON Electronics

Largest Supplier of Electrical and Electronic Components

*Click to view similar products for [Headers & Wire Housings](#) category:*

*Click to view products by [TE Connectivity](#) manufacturer:*

Other Similar products are found below :

[892-18-020-10-001101](#) [58102-G61-06LF](#) [582553-1](#) [0009485154](#) [009176003701906](#) [0050291907](#) [LY20-4P-DT1-P1E-BR](#) [02.125.8002.8](#)  
[609-3404](#) [61062-3](#) [61082-181009](#) [622-3653LF](#) [63453-116](#) [636-1030](#) [636-1427](#) [636-3427](#) [636-4007](#) [641938-9](#) [641991-4](#) [644827-2](#) [65817-010LF](#) [65817-015LF](#) [65863-015LF](#) [66207-023LF](#) [67095-007LF](#) [67601157](#) [68645-018](#) [68648-049](#) [70.362.1628.0](#) [70-4210](#) [70-4226B](#) [70-4853B](#) [707-5020](#) [707-5028](#) [71.350.2428.0](#) [71918-208LF](#) [71961-016LF](#) [733-134](#) [733-162](#) [754199-000](#) [760-3052](#) [787-8014-00](#) [79531-3000](#)  
[FCN-360C032-B](#) [FCN-367T-T012/H](#) [FCN-723D010/2](#) [80.063.4001.1](#) [800-90-001-10-001000](#) [800-90-010-10-002000](#) [801-43-002-10-013000](#)