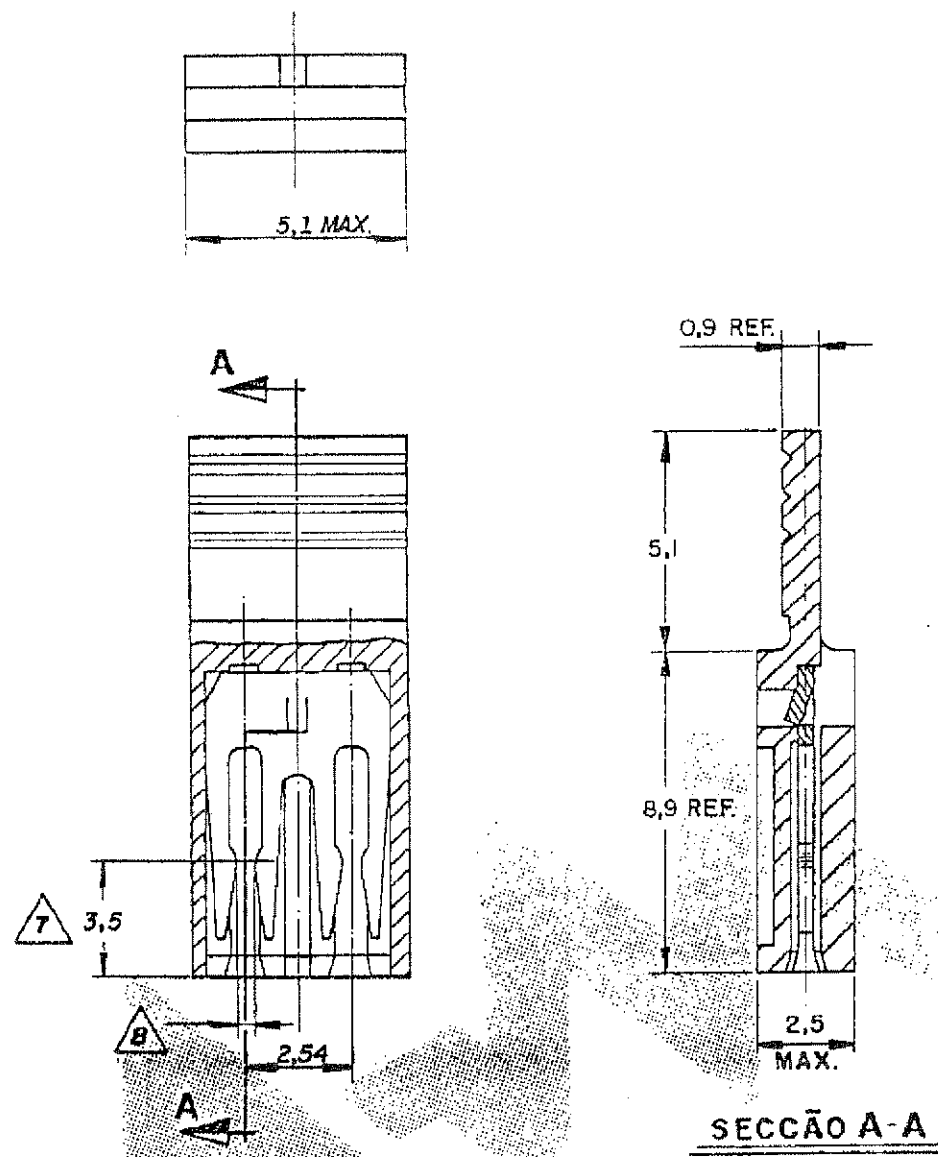


DO NOT SCALE  
DIMENSIONS IN

**METRIC**



C 880584



- NOTAS:
- 1 MATERIAL: HOUSING: TERMOPLASTICO S/ FIBRA DE VIDRO V-0 COR: PRETO  
CONTACTO: BRONZE FOSFOROSO
  - 2 MATERIAL: HOUSING: THERMOPLASTIC WITHOUT GLASS FIBER V-0 COLOR: BLACK  
CONTACT: PHOSPHOROUS BRONZE
  - 3 MATERIAL: HOUSING: TERMOPLASTICO C/ FIBRA DE VIDRO NR. COR: NATURAL  
CONTACTO: BRONZE FOSFOROSO
  - 4 MATERIAL: HOUSING: THERMOPLASTIC WITH GLASS FIBER NR. COLOR: NATURAL  
CONTACT: PHOSPHOROUS BRONZE
  - 3 0,38 µm. MIN. OURO NA AREA DE CONTATO, SOBRE BANHO 0,76 µm NIQUEL  
0,38 µm. MIN. GOLD ON CONTACT AREA, 0,76 µm NIQUEL UNDERPLATING
  - 4 0,76 µm. MIN. OURO NA AREA DE CONTATO, SOBRE BANHO 0,76 µm NIQUEL  
0,76 µm. MIN. GOLD ON CONTACT AREA, 0,76 µm NIQUEL UNDERPLATING
  - 5 1,27 µm. MIN. OURO NA AREA DE CONTATO, SOBRE BANHO 0,76 µm NIQUEL  
1,27 µm. MIN. GOLD ON CONTACT AREA, 0,76 µm NIQUEL UNDERPLATING
  - 6 ESTANHO SOBRE NIQUEL  
TIN UNDER NICKEL
  - 7 PONTO DE CONTATO P/ MEDIÇÃO DA CAMADA DE OURO  
CONTACT POINT FOR GOLD PLATING MEASUREMENT
  - 8 ACEITA PINO QUADRADO 0,64 x 0,64 OU REDONDO Ø 0,64  
ALLOW SQUARE PIN 0,64 x 0,64 OR ROUND Ø 0,64
  - 9 MATERIAL: HOUSING: TERMOPLASTICO C/ FIBRA DE VIDRO COR VERMELHO, V-2  
CONTACTO: BRONZE FOSFOROSO
  - MATERIAL: HOUSING: THERMOPLASTIC WITH GLASS FIBER COLOR RED; V-2  
CONTACT: PHOSPHOROUS BRONZE

		3	10	L	2 - 880584	- 1
11	OBSOLETE	6	9			9
11	OBSOLETE	6				8
		5				- 7
11	OBSOLETE	4				6
		3	2			- 5
		6				- 4
11	OBSOLETE	5				3
		4				- 2
		3	1	K7	880584	- 1

OTHER TREATMENT		FINISH		MATERIAL		PART REV.		PART NUMBER			
CUSTOMER DWG for REFERENCE ONLY				TOLERANCES UNLESS OTHERWISE STATED DEC. ± 0,3 ANGLES ± 1°		INS. DIA. RANGE //		WIRE RANGE //		SCALE //	
				DR. <i>Paulo 01/01/04</i>		<b>STE</b> TE Connectivity					
				CHK. <i>H. JUNHO 18/04</i>		DESCRIPTION ..		AMP SHUNT CONNECTOR ASS'Y			
L4 REV. ECO 11-023509		HC	WLS	02DEC11		DE.					
L3 REVISED PER ECO-11-005139		RK	HMR	28MAR11							
153 REVISION RECORD		DR	CHK	DATE	APP	A3		C		880584	
										SHEET 1072	

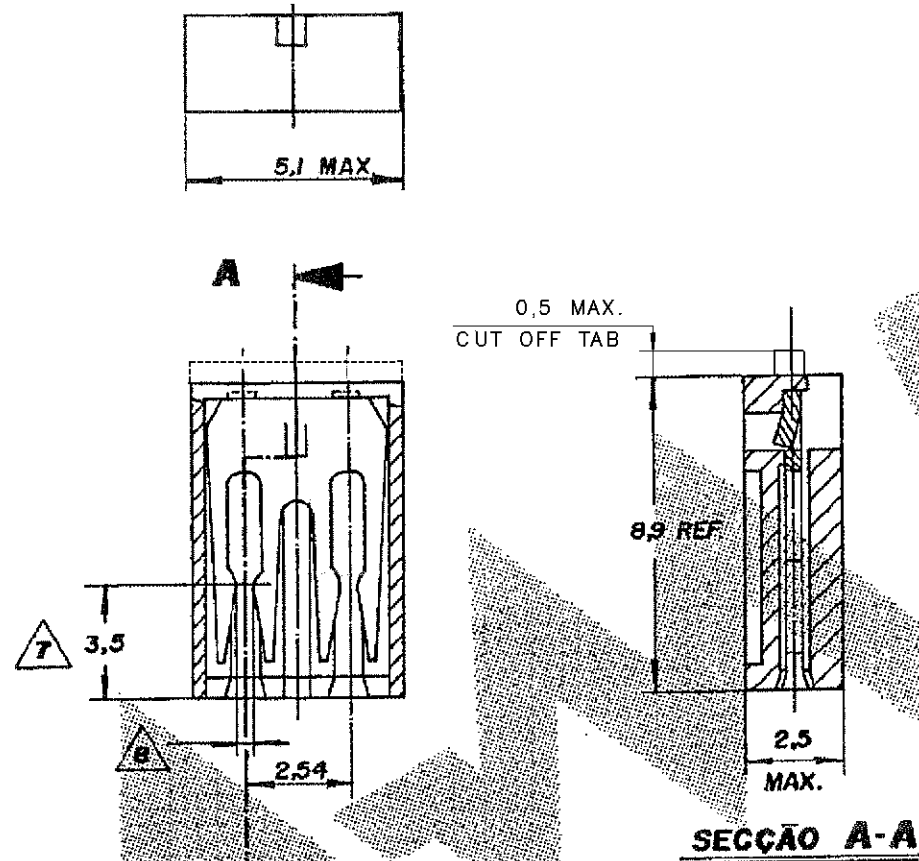
C 880584

DO NOT SCALE  
DIMENSIONS IN mm

**METRIC**



- 10 MATERIAL: HOUSING: TERMOPLASTICO C/ FIBRA DE VIDRO V-2 COR: VERDE  
CONTATO: BROZE FOSFOROSO
- MATERIAL: HOUSING: THERMOPLASTIC WITH GLASS FIBER V-2 COLOR: GREEN  
CONTACT: PHOSPHOROUS BRONZE
- 11 OBSOLETE PARTS: OBSOLETE CIS STREAMLINING PER D.RENAUD/D.SINISI



11 OBSOLETE	6			1	8
	5			1	7
11 OBSOLETE	4			1	6
	3		2	1	5
	6			1	4
	5			1	3
	4			1	2
	3		1	K1	1

OTHER TREATMENT	FINISH	MATERIAL	PART REV.	PART NUMBER
<b>CUSTOMER DWG</b> for REFERENCE ONLY		TOLERANCES UNLESS OTHERWISE STATED DEC. ± 0,5 ANGLES ± 1°		
INS. DIA. RANGE		WIRE RANGE	SCALE	
DR. <i>Isidor Gallo</i> 09-MAR-81				
CHK. <i>N. Silva</i> 09-MAR-81				
DE.		DESCRIPTION <b>AMP SHUNT CONNECTOR ASS'Y</b>		
L4		DWG NO <b>A3</b>	SHEET 2 of 2	
REV	REVISION RECORD	DR	CHK	DATE

## X-ON Electronics

Largest Supplier of Electrical and Electronic Components

*Click to view similar products for [Headers & Wire Housings](#) category:*

*Click to view products by [TE Connectivity](#) manufacturer:*

Other Similar products are found below :

[892-18-020-10-001101](#) [58102-G61-06LF](#) [582553-1](#) [0009485154](#) [009176003701906](#) [0050291907](#) [LY20-4P-DT1-P1E-BR](#) [02.125.8002.8](#)  
[609-3404](#) [61062-3](#) [61082-181009](#) [622-3653LF](#) [63453-116](#) [636-1030](#) [636-1427](#) [636-3427](#) [636-4007](#) [641938-9](#) [641991-4](#) [644827-2](#) [65817-](#)  
[010LF](#) [65817-015LF](#) [65863-015LF](#) [66207-023LF](#) [67095-007LF](#) [67601157](#) [68645-018](#) [68648-049](#) [70.362.1628.0](#) [70-4210](#) [70-4226B](#) [70-](#)  
[4853B](#) [707-5020](#) [707-5028](#) [71.350.2428.0](#) [71918-208LF](#) [71961-016LF](#) [733-134](#) [733-162](#) [754199-000](#) [760-3052](#) [787-8014-00](#) [79531-3000](#)  
[FCN-360C032-B](#) [FCN-367T-T012/H](#) [FCN-723D010/2](#) [80.063.4001.1](#) [800-90-001-10-001000](#) [800-90-010-10-002000](#) [801-43-002-10-013000](#)