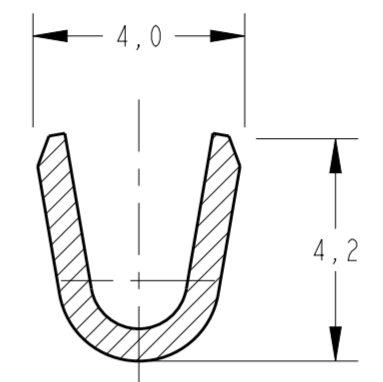
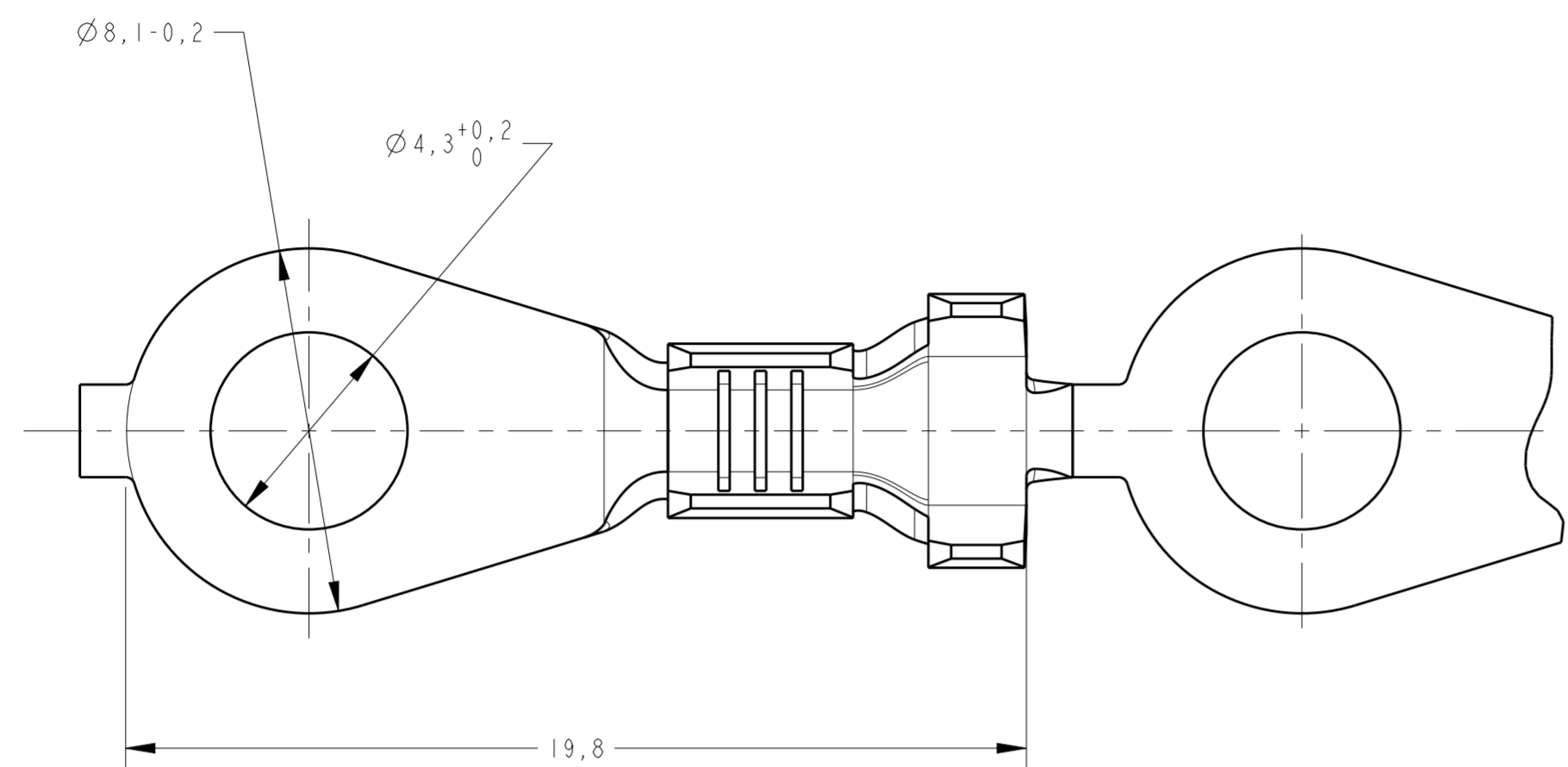


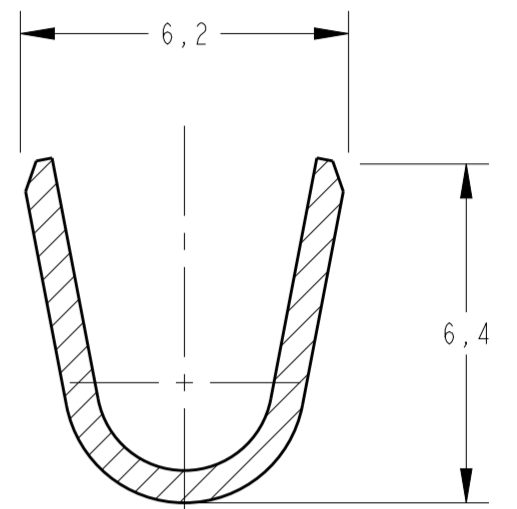
THIS DRAWING IS UNPUBLISHED. RELEASED FOR PUBLICATION 20
 © COPYRIGHT 20 BY - ALL RIGHTS RESERVED.

creo
 Creo Parametric 2.0
DO NOT REVISE
EXCEPT BY CAD

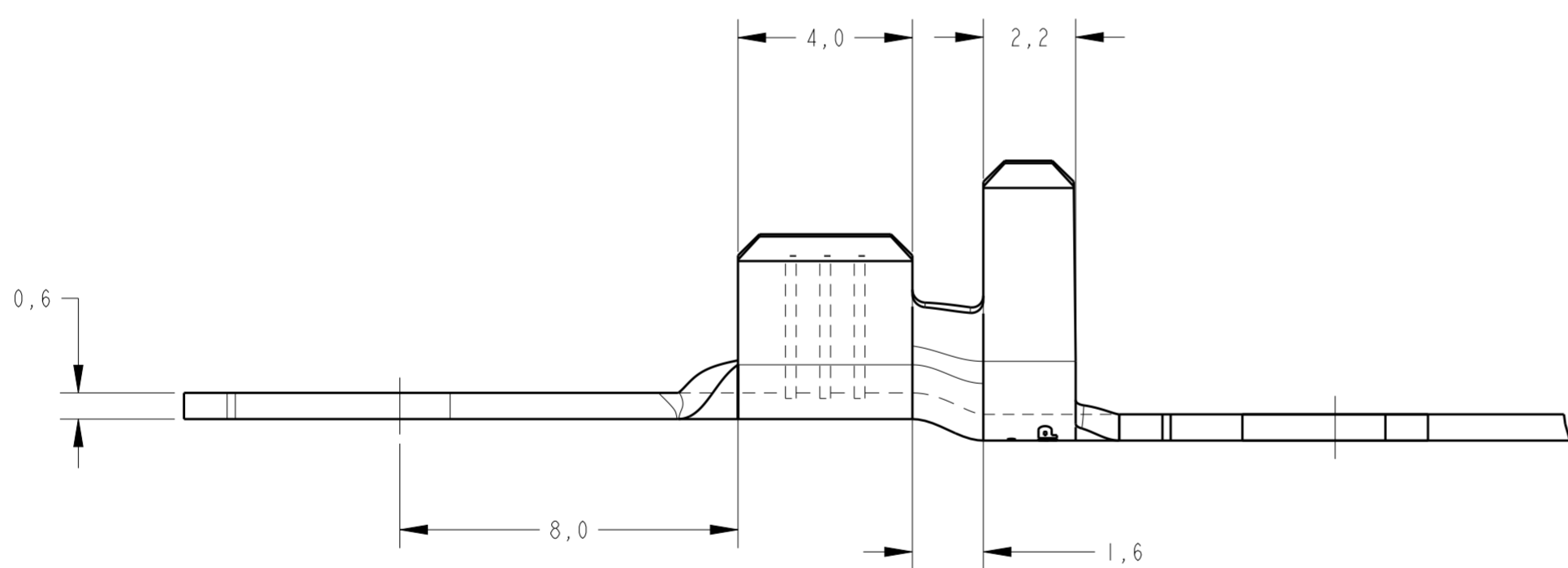
REVISIONS				
P	LTR	DESCRIPTION	DATE	APVD
B3		REV. BY ECO 17-007730	29MAY2017	HC WLS
B4		REV. BY ECO 19-005399	14MAY2019	WLS WLS



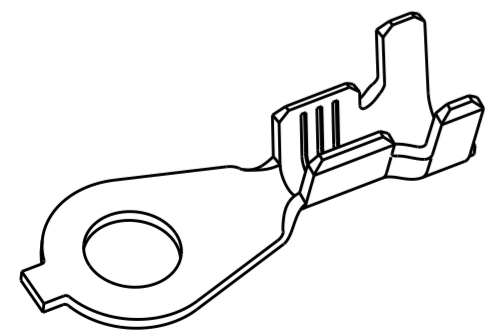
SECTION A-A
 SCALE 7:1



SECTION B-B
 SCALE 7:1



- 1 - REBOBINAR INTERCALADO COM PAPEL.
 - REELING WITH PAPER-INTERLEAVE.
- 2 - MÉTODO DE EMENDAS FEITO POR PAPEL ENTRE CAMADAS.
 - SPLICING METHOD MADE BY THE INTERLEAVING PAPER.



PERSPECTIVE VIEW
 SCALE 3:1

OBSOLETE	PEÇA SOLTA / LOOSE PIECE	ESTANHADO / TIN PLATED	MF-2	1-880642-2
OBSOLETE	PEÇA SOLTA / LOOSE PIECE	---	MF-1	1-880642-1
OBSOLETE	---	ESTANHADO / TIN PLATED	LATÃO / BRASS	880642-4
---	---	---	BRONZE FOSF./PHOSP.BRONZE	880642-3
---	---	ESTANHADO / TIN PLATED	LATÃO / BRASS	880642-2
---	---	---	LATÃO / BRASS	880642-1
	LOOSE PIECE	FINISH	MATERIAL	PART NUMBER

INS. DIA. RANGE	2,7-4,0mm
WIRE RANGE	>1,0-2,5mm ²

THIS DRAWING IS A CONTROLLED DOCUMENT.		DWN	NCLAPRESA	09DEC2014	 TE Connectivity
DIMENSIONS: mm		CHK	ECHRISTIANO	09DEC2014	
TOLERANCES UNLESS OTHERWISE SPECIFIED:		APVD	WPRADO	09DEC2014	
0 PLC ± 1 PLC ±0,3 2 PLC ± 3 PLC ± 4 PLC ± ANGLES ±° FINISH		PRODUCT SPEC	NAME		
MATERIAL		SEE TABLE		SEE TABLE	
CUSTOMER DRAWING		SIZE	A2	CAGE CODE	-
SCALE		4:1		DRAWING NO	C-880642
SHEET		1 OF 1		RESTRICTED TO	REV B4

X-ON Electronics

Largest Supplier of Electrical and Electronic Components

Click to view similar products for [Terminals](#) category:

Click to view products by [TE Connectivity](#) manufacturer:

Other Similar products are found below :

[00-054007-01074-6](#) [00-054007-70206-1](#) [00-054007-70210-8](#) [00-054007-70217-7](#) [00-054007-70226-9](#) [00-054007-70228-3](#) [00-054007-70248-1](#) [00-054007-70256-6](#) [00-054007-70301-3](#) [00-054007-70316-7](#) [0-0320562-0](#) [00-054007-49560-4](#) [00-054007-70209-2](#) [00-054007-70225-2](#) [00-054007-70227-6](#) [00-054007-70231-3](#) [00-054007-70241-2](#) [00-054007-70242-9](#) [00-054007-70244-3](#) [00-054007-70246-7](#) [00-054007-70263-4](#) [00-054007-70288-7](#) [00-054007-70290-0](#) [00-054007-70300-6](#) [00-054007-70304-4](#) [01-2065-1-0216](#) [01-2900-1-04412](#) [00581P0075](#) [600TS-10](#) [60205-1](#) [604200-1](#) [605601-1](#) [60598-1-CUT-TAPE](#) [61314-6-C](#) [61810-3](#) [61-S](#) [61-SN](#) [626-0194](#) [62-NBM-A](#) [62-SN](#) [62-SP](#) [63-S](#) [640179-1](#) [M55155/059I03](#) [M55155/079C01](#) [M55155/099H02](#) [M55155/109H01](#) [M55155/109H02](#) [M55155/12XH05](#) [M55155/16XH02](#)