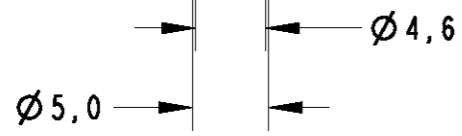
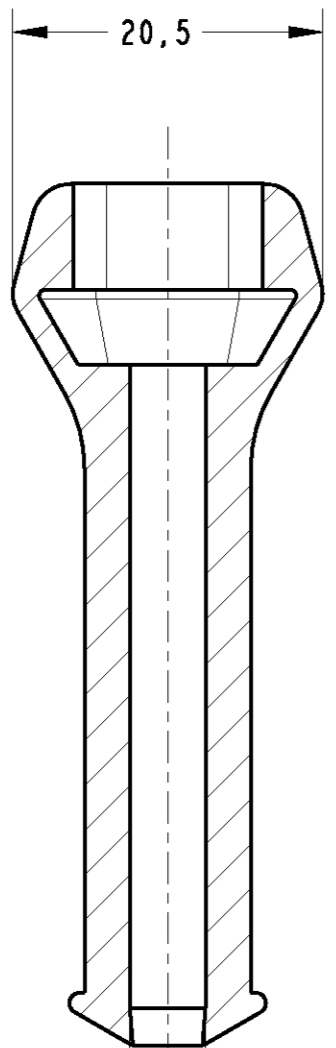
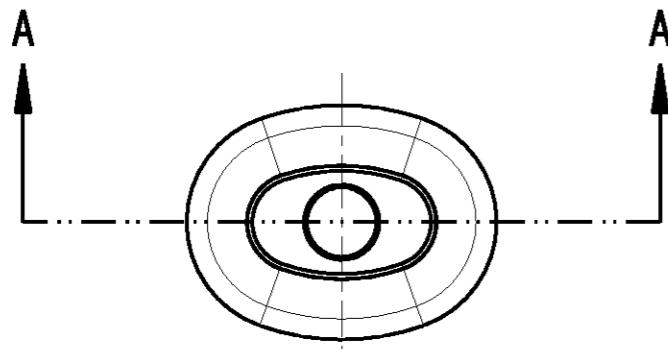


THIS DRAWING IS UNPUBLISHED. RELEASED FOR PUBLICATION  
 © COPYRIGHT BY ALL RIGHTS RESERVED.

LOC	DIST	REVISIONS			
P	LTR	DESCRIPTION	DATE	DWN	APVD
AP	-	B1	REVISED PER ECO-11-005139	19MAR11	RK HMR



SECTION A-A

- ⓑ  $\triangle 1$  - ELASTÔMERO SAE J200, 2BC 414, A14, B14, C12, E014, F17, Z1  
Z1=RESISTÊNCIA RASGO, ASTM D624 - 20kg/cm MIN.
- ⓑ  $\triangle 2$  - ELASTÔMERO SAE J200, 2BC 514, A14, B14, C12, E014, F17, Z1  
Z1=RESISTÊNCIA RASGO, ASTM D624 - 20kg/cm MIN.
- $\triangle 1$  -ELASTOMER SAE J200, 2BC 414, A14, B14, C12, E014, F17, Z1  
Z1= TEAR RESISTANCE, ASTM D624 -20kg/cm MIN.
- $\triangle 2$  -ELASTOMER SAE J200, 2BC 514, A14, B14, C12, E014, F17, Z1  
Z1= TEAR RESISTANCE, ASTM D624 -20kg/cm MIN.

FINISH	HARDNESS	MATERIAL	PART NUMBER
PRETO/BLACK	40±5 SHORE A	ELASTOMER $\triangle 1$	880810-2
PRETO/BLACK	50±5 SHORE A	ELASTOMER $\triangle 2$	880810-1

DIMENSIONS: mm		TOLERANCES UNLESS OTHERWISE SPECIFIED: 0 PLC ±0.3 1 PLC ± 2 PLC ± 3 PLC ± 4 PLC ± ANGLES ±P		DWN M.L. OGAWA 09JUN99 CHK P.L. FARIA 10JUN99 APVD J.M.M. NETO 10JUN99		TE Connectivity	
MATERIAL SEE TABLE		FINISH SEE TABLE		PRODUCT SPEC - APPLICATION SPEC - WEIGHT -		NAME COVER CAP 2 POSN SIZE A3 CAGE CODE 00779 DRAWING NO C=880810 RESTRICTED TO -	
CUSTOMER DRAWING				SCALE 2:1		SHEET OF REV B1	



## X-ON Electronics

Largest Supplier of Electrical and Electronic Components

*Click to view similar products for [Automotive Connectors](#) category:*

*Click to view products by [TE Connectivity](#) manufacturer:*

Other Similar products are found below :

[003-018-000](#) [600858](#) [60403001](#) [60993906-B](#) [60993913-B](#) [629515004020001](#) [M902-2131](#) [M902-2161](#) [M902-2344](#) [72.330.1035.1](#)  
[73.353.4028.0](#) [F118010](#) [F119300-B](#) [F132210](#) [F132210-B](#) [F166900](#) [F180100](#) [F258300](#) [F258300-B](#) [F294300-B](#) [F339100](#) [F339700](#) [F358300-](#)  
[B](#) [F374110](#) [F407400](#) [F412210](#) [F427600](#) [F444110](#) [F487000](#) [F495100-B](#) [F500900-B](#) [F509500B-B](#) [770444-1](#) [776880-1](#) [827153-1](#) [881735-1](#)  
[8N1515-32-24P](#) [9-1326727-8](#) [9-1326729-8](#) [925467-1](#) [925474-1](#) [928905-1](#) [936398-2](#) [964562-1](#) [964562-4](#) [964731-2](#) [965051-1](#) [968782-1](#)  
[GT17SA-8DS-HU](#) [GT17VS-10DP-5.2CF](#)