



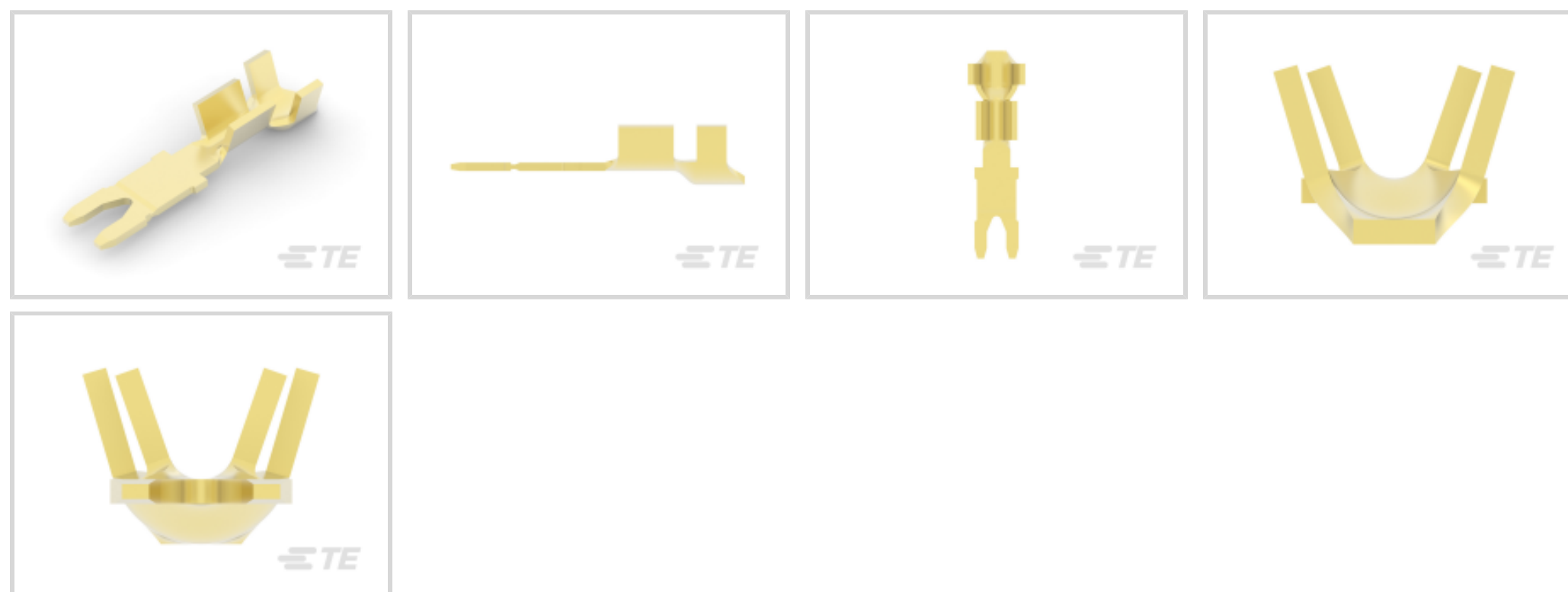
**MAG-MATE**

TE Internal #: 881257-3

Magnet Wire Terminals, Tab, Mating Tab Width .133 in [3.4 mm],  
Lead Wire Size 22 – 18 AWG, Lead Wire Size .32 – .82 mm<sup>2</sup>, Crimp,  
MAG-MATE

[View on TE.com >](#)

Terminals & Splices > Magnet Wire Terminals



Magnet Wire Terminal Type: **Tab**

Mating Tab Width: **3.4 mm [ .133 in ]**

Mating Tab Thickness: **.46 mm [ .018 in ]**

Compatible Insulation Diameter (Max): **2.54 mm [ .1 in ]**

Compatible Insulation Diameter Range: **1.52 – 2.54 mm [ .06 – .1 in ]**

**Features**

**Product Type Features**

Compatible With Discrete Wire Type	Solid, Stranded
------------------------------------	-----------------

**Contact Features**

Magnet Wire Terminal Type	Tab
Mating Tab Width	3.4 mm[.133 in]
Mating Tab Thickness	.46 mm[.018 in]
Terminal Plating Material	Unplated
Terminal Orientation	Straight

**Termination Features**

Termination Method to Wire & Cable	Crimp
Crimp Area Length	5.97 mm[.235 in]

**Mechanical Attachment**

Mating Retention Type	Barbs
Wire Insulation Support	With



### Dimensions

Terminal Height	7 mm[.275 in]
Compatible Insulation Diameter (Max)	2.54 mm[.1 in]
Compatible Insulation Diameter Range	1.52 – 2.54 mm[.06 – .1 in]
Lead Wire Size	.32 – .82 mm <sup>2</sup>
Product Length	19.5 mm[.767 in]

### Usage Conditions

Insulation Option	Uninsulated
-------------------	-------------

### Operation/Application

Compatible With Wire Base Material	Copper
------------------------------------	--------

### Industry Standards

Compatible With Agency/Standards Products	RU (UL Component Program)
---	---------------------------

### Packaging Features

Packaging Quantity	7000
Packaging Method	Reel, Reel/Carton

### Product Compliance

[For compliance documentation, visit the product page on TE.com>](#)

EU RoHS Directive 2011/65/EU	Compliant
EU ELV Directive 2000/53/EC	Compliant
China RoHS 2 Directive MIIT Order No 32, 2016	No Restricted Materials Above Threshold
EU REACH Regulation (EC) No. 1907/2006	Current ECHA Candidate List: JUNE 2023 (235) Candidate List Declared Against: JUNE 2023 (235) Does not contain REACH SVHC
Halogen Content	Low Halogen - Br, Cl, F, I < 900 ppm per homogenous material. Also BFR/CFR/PVC Free
Solder Process Capability	Not applicable for solder process capability

#### Product Compliance Disclaimer

This information is provided based on reasonable inquiry of our suppliers and represents our current actual knowledge based on the information they provided. This information is subject to change. The part numbers that TE has identified as EU RoHS compliant have a maximum concentration of 0.1% by weight in homogenous materials for lead, hexavalent chromium, mercury, PBB, PBDE, DBP, BBP, DEHP, DIBP, and 0.01% for cadmium, or qualify for an exemption to these limits as defined in the Annexes of Directive 2011/65/EU (RoHS2). Finished electrical and electronic equipment products will be CE marked as required by Directive 2011/65/EU. Components may not be CE marked. Additionally, the part



numbers that TE has identified as EU ELV compliant have a maximum concentration of 0.1% by weight in homogenous materials for lead, hexavalent chromium, and mercury, and 0.01% for cadmium, or qualify for an exemption to these limits as defined in the Annexes of Directive 2000/53/EC (ELV). Regarding the REACH Regulation, the information TE provides on SVHC in articles for this part number is based on the latest European Chemicals Agency (ECHA) 'Guidance on requirements for substances in articles' posted at this URL: <https://echa.europa.eu/guidance-documents/guidance-on-reach>

## Compatible Parts



TE Part # 1599986-1  
MAG MATE POKE-IN DUAL TAB



TE Part # 1217470-1  
TAB MAG-MATE POKE-IN 22-18



TE Part # 2266269-1  
OCEAN\_2.0\_Applicator-S-F090140F



TE Part # 2266269-2  
OCEAN\_2.0\_Applicator-S-F090140F



TE Part # 2305570-1  
Strip Terminal Cutter-Side Feed-No Crimp




TE Part # 2312000-1  
TAB,POKE-IN,MAG-MATE



TE Part # 7-2266269-7  
OCEAN\_2.0\_SPARE\_PART\_KIT-F090140F

## Also in the Series | MAG-MATE



Insertion & Extraction Tools(6)



Magnet Wire Terminals(337)

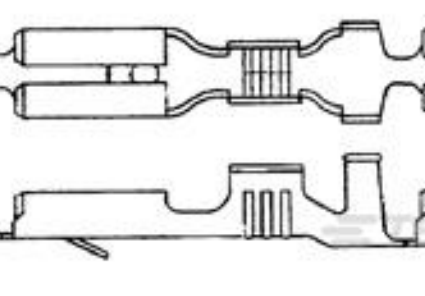


PCB Terminals(1)

## Customers Also Bought



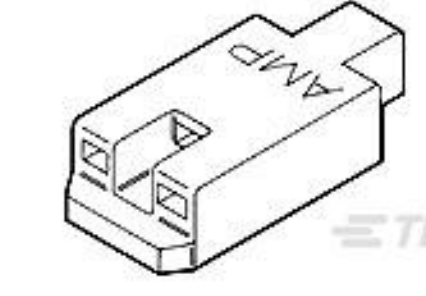
TE Part #61188-1  
250 FASTON FLAG REC 16-12 AWG TPBZ



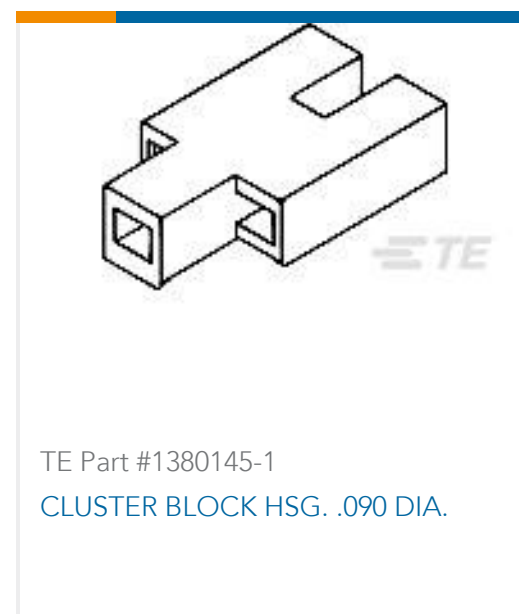
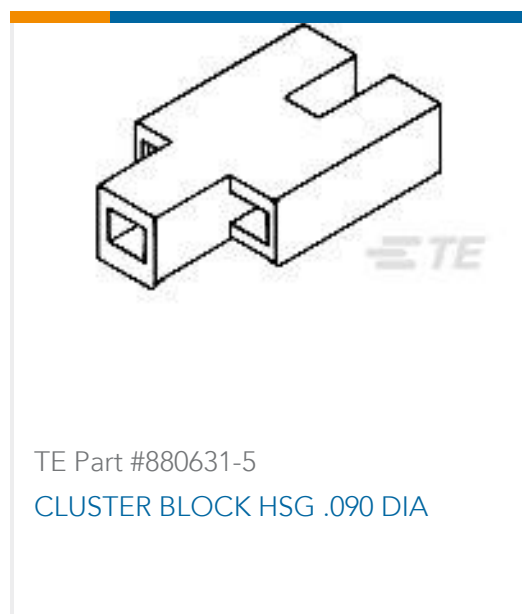
TE Part #170015-1  
FF 110 REC 20-16AWG BR



TE Part #360052-1  
125 DIA CLSTR BLK



TE Part #360051-1  
CLUSTER BLOCK



## Documents

### Product Drawings

#### MAG-MATE TERMINAL

English

### CAD Files

#### 3D PDF

3D

#### Customer View Model

[ENG\\_CVM\\_CVM\\_881257-3\\_C\\_c-881257-3-c.2d\\_dxf.zip](#)

English

#### Customer View Model

[ENG\\_CVM\\_CVM\\_881257-3\\_C\\_c-881257-3-c.3d\\_igs.zip](#)

English

#### Customer View Model

[ENG\\_CVM\\_CVM\\_881257-3\\_C\\_c-881257-3-c.3d\\_stp.zip](#)

English

By downloading the CAD file I accept and agree to the [Terms and Conditions](#) of use.

### Datasheets & Catalog Pages

#### Magnet Wire Terminals & Splices

English

### Product Specifications

#### Application Specification

English

## X-ON Electronics

Largest Supplier of Electrical and Electronic Components

*Click to view similar products for [Terminals](#) category:*

*Click to view products by [TE Connectivity](#) manufacturer:*

Other Similar products are found below :

[00-054007-01074-6](#) [00-054007-70206-1](#) [00-054007-70210-8](#) [00-054007-70217-7](#) [00-054007-70228-3](#) [00-054007-70256-6](#) [00-054007-70316-7](#) [00-054007-49560-4](#) [00-054007-70209-2](#) [00-054007-70231-3](#) [00-054007-70241-2](#) [00-054007-70242-9](#) [00-054007-70246-7](#) [00-054007-70263-4](#) [00-054007-70288-7](#) [00-054007-70290-0](#) [00-054007-70300-6](#) [00-054007-70304-4](#) [01-2900-1-04412](#) [600TS-10](#) [605601-1](#) [60617-1-C](#) [61314-6-C](#) [61810-3](#) [626-0194](#) [63-S](#) [M55155/079C01](#) [M55155/099B03](#) [M55155/109H01](#) [M55155/29XJ08](#) [M55155/30-6S](#) [M55155/30-9S](#) [M55155/30XI09](#) [M6-14RSX](#) [696683-1](#) [696861-1](#) [696999-1](#) [M86700006](#) [D18-110B-C](#) [D18-110B-M](#) [701-1936](#) [701-1955](#) [701-2003](#) [701-2007](#) [701-2013](#) [701-2018](#) [701-2069](#) [701-2077-60](#) [701-2315](#) [701-2349](#)