

4

3

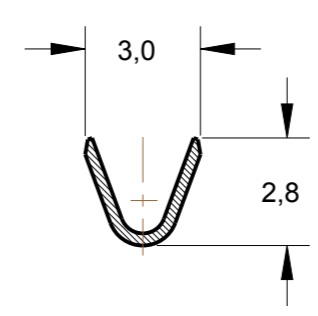
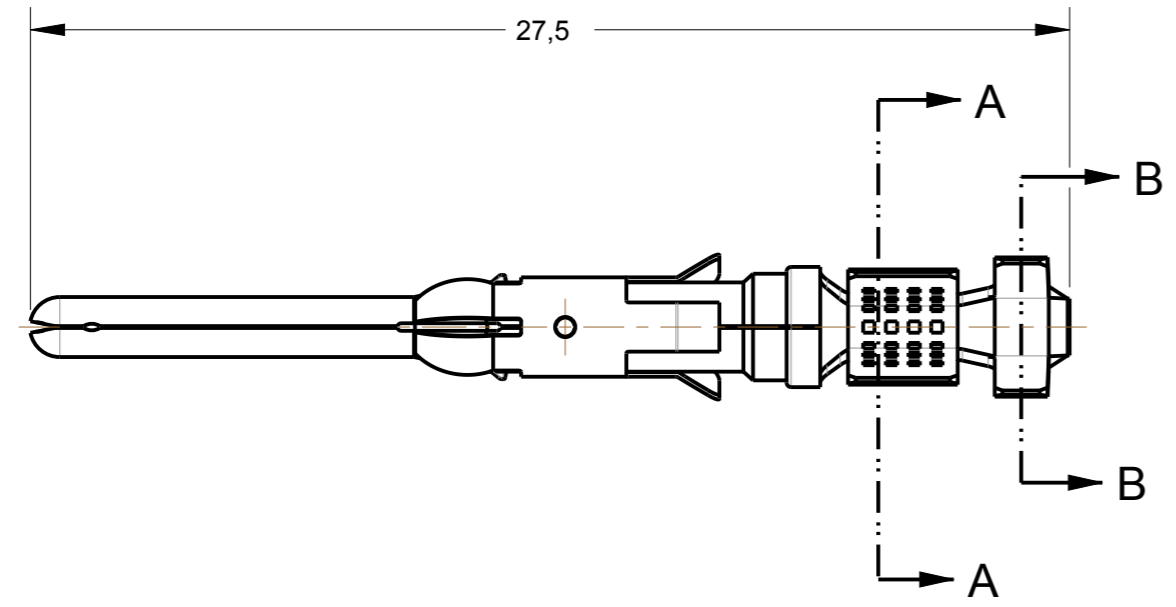
2

1

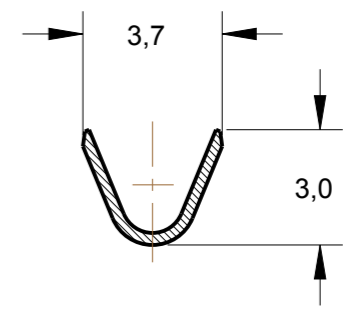
THIS DRAWING IS UNPUBLISHED. RELEASED FOR PUBLICATION 20
 © COPYRIGHT20 BY - ALL RIGHTS RESERVED.

creo
 Creo Parametric 3.0
**DO NOT REVISE
 EXCEPT BY CAD**

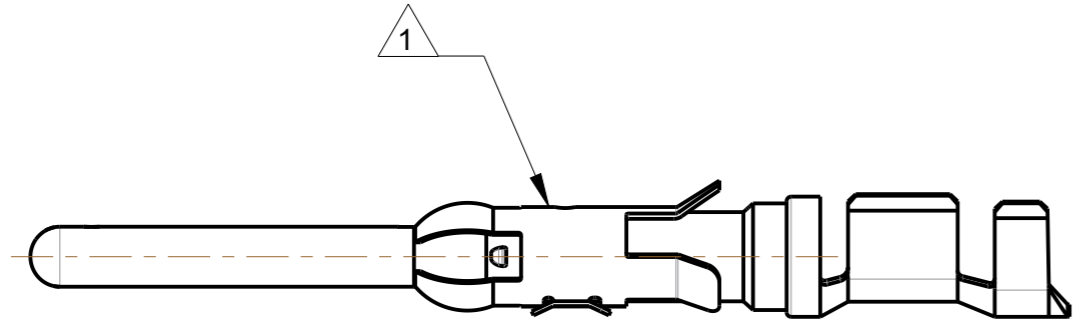
REVISIONS					
P	LTR	DESCRIPTION	DATE	DWN	APVD
	A1	REVISED DRAWING ECO-17-007396	23MAY2017	NCL	DAO



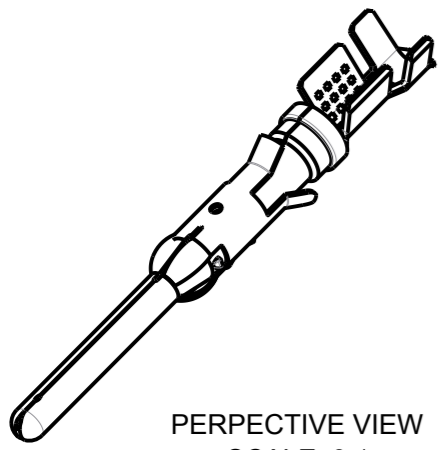
SECTION A-A
SCALE 5:1



SECTION B-B
SCALE 5:1



1 - MOLA DE AÇO INOX
 - SPRING STAINLESS STEEL



PERPECTIVE VIEW
SCALE 3:1

INSUL.RANGE	WIRE RANGE
2,0-2,5mm (.080-.100)	0,75-1,50mm ² (18-16 AWG)

163081-2	DOURADO (SEL.GOLD)	LATÃO / BRASS	881459-2
1-163081-2	PRE ESTANHADO (PRE TIN)	LATÃO / BRASS	881459-1
MAKE FROM(STRIP)	FINISH	MATERIAL	PART NUMBER
THIS DRAWING IS A CONTROLLED DOCUMENT.		TE Connectivity	
DIMENSIONS: mm 		NAME: PIN TYPE III 1.6 DIA TERMINAL LOOSE PIECE	
TOLERANCES UNLESS OTHERWISE SPECIFIED: 0 PLC ±- 1 PLC ±0,3 2 PLC ±- 3 PLC ±- 4 PLC ±- ANGLES ±1°		DWN 23MAY2017 NCLAPRESA CHK 23MAY2017 ELOPES APVD 23MAY2017 DAOLIVEIRA PRODUCT SPEC APPLICATION SPEC WEIGHT -	
MATERIAL SEE TABLE	FINISH -	SIZE A3	CAGE CODE -
-		DRAWING NO C-881459	RESTRICTED TO -
-		CUSTOMER DRAWING	SCALE 5:1 SHEET 1 OF 1 REV A1

OBSOLETE

X-ON Electronics

Largest Supplier of Electrical and Electronic Components

Click to view similar products for [Standard Circular Contacts](#) category:

Click to view products by [TE Connectivity](#) manufacturer:

Other Similar products are found below :

[RC16M23J](#) [133780-1](#) [RM20M13D28](#) [RM24M9D28](#) [RMMX110-1D28](#) [MS3474W10-6P L/C](#) [ELVP16100E](#) [164-901-CD](#) [EN3545007SCE](#)
[BV002BSQ20049CZ](#) [BV002SSQ160404CZ](#) [1900ND05S1B00B](#) [166566-1](#) [1900ND04S1X00D](#) [ST-JL05-16S-C3-100](#) [ST-JL05-20S-C1-100](#)
[ST-JL05-20S-C2-100](#) [T01-CRIMP-S03](#) [APK-SA16A07-002](#) [27963-15T12](#) [CONT-JL05-08S-C2-10](#) [CONT-JL05-12S-C1-10](#) [RC16M-23T](#)
[RFD26L-1D28](#) [BV002ASJ16049CW](#) [JN1-22-20S-R-PKG100](#) [031-50213](#) [031-50565](#) [031-50794](#) [SJS861301M](#) [ST-JL05-16S-C1-100](#) [ST-](#)
[JL05-20P-C1-100](#) [82911466K](#) [192991-0087](#) [192900-0570](#) [44-100-1414P-1000-101](#) [T3P16FC3LZ](#) [ST-JL05-16S-C2-3500](#) [ZP-4016-10NF](#)
[CONT-JL05-12P-C1-10](#) [RM20M12G8D28](#) [031-50676](#) [12115010110](#) [RJFTVC2MG](#) [CAP-DACMDPC2](#) [031-50675-002](#) [CAP-DD1FDPC2](#)
[CAP-DACMDPC1](#) [031-50966-010](#) [ASSP-10-F-A-C-SA](#)