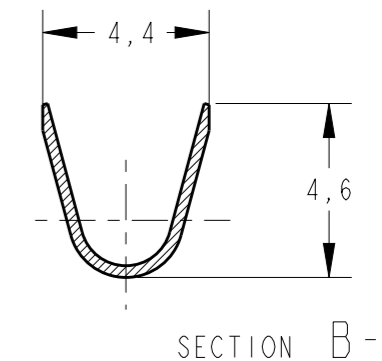
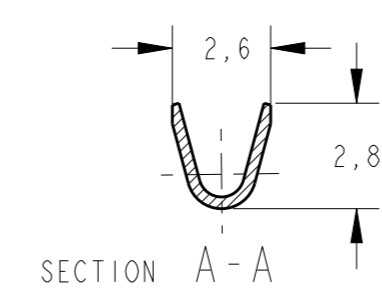
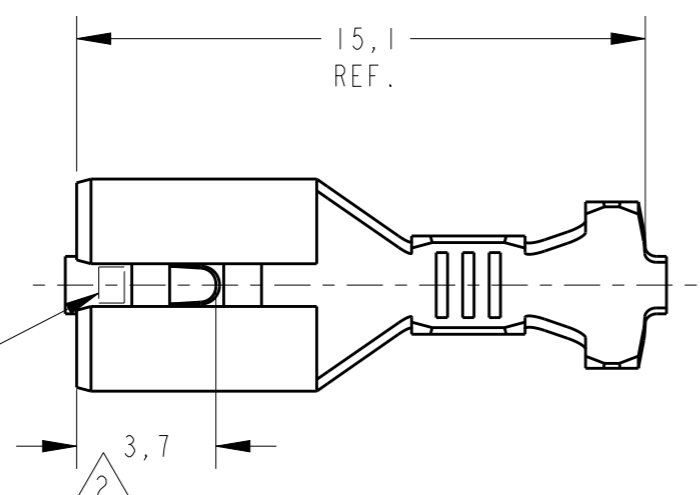


THIS DRAWING IS UNPUBLISHED. RELEASED FOR PUBLICATION 20  
 © COPYRIGHT 20 BY - ALL RIGHTS RESERVED.

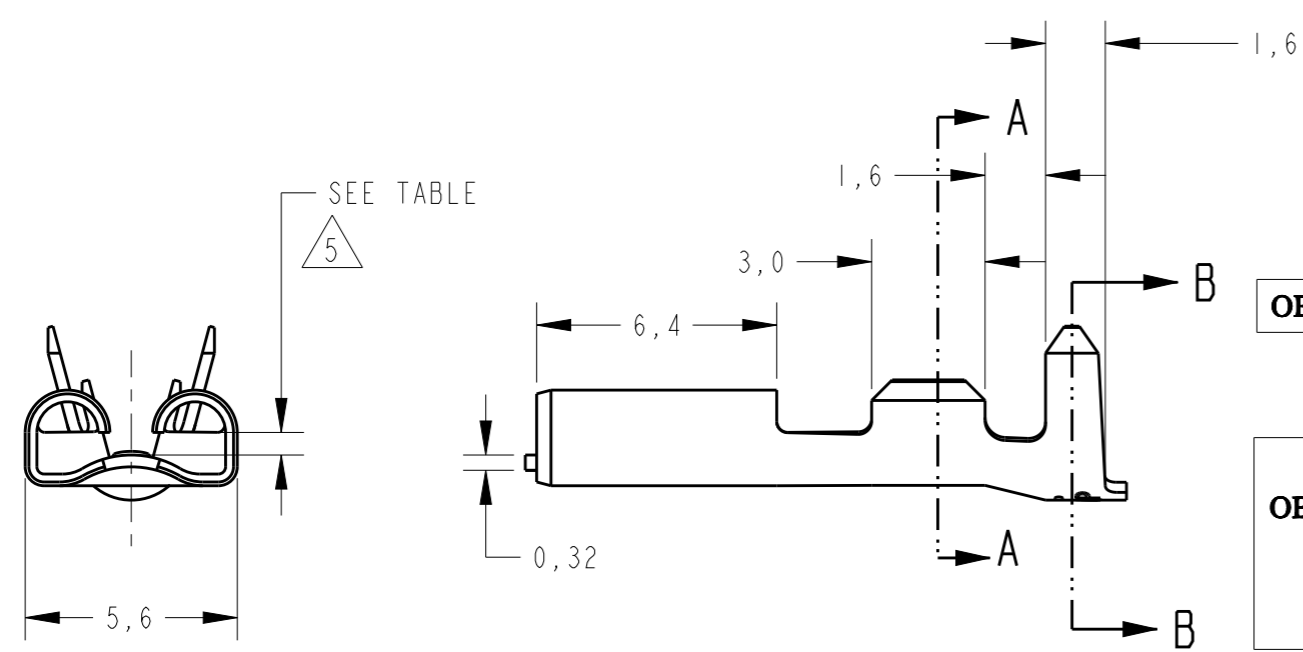
REVISIONS

P	LTR	DESCRIPTION	DATE	DWN	APVD
	J	REV. BY ECO 17-008400	23JUN2017	HC	WLS



5 TAB THICKNESS  
GAP SIZE MARKING

- 1 -PEÇA SOLTA - VER DESENHO 444201.  
LOOSE PIECE - SEE DRAWING 444201.
- 2 -LOCALIZAÇÃO DO DIMPLE - 3,0mm PARA O PN 1-881623-0  
DIMPLE LOCATION 3,0mm. FOR PN 1-881623-0.
- 3 -OBSOLETE PARTS:OBSOLETE CIS STREAMLINING PER D.RENAUD/D.SINISI
- 4 -HEAT TREATMENT.



5	FOR TAB THICKNESS	FINISH	MATERIAL	PART NUMBER
	0,5	—	LATÃO/BRASS	4 1-881623-1
OBSOLETE	0,8	—	LATÃO/BRASS	2 1-881623-0
	0,5	ESTANHADO/TIN PLATED	LATÃO/BRASS	1 881623-9
	0,5	—	LATÃO/BRASS	1 881623-8
OBSOLETE	OBSOLETE	ESTANHADO/TIN PLATED	LATÃO/BRASS	881623-7
OBSOLETE	OBSOLETE	—	LATÃO/BRASS	881623-6
3	0,8	NIQUELADO/NICKEL PLATED	AÇO/STEEL	881623-5
	0,8	—	AÇO/STEEL	881623-4
	0,8	ESTANHADO/TIN PLATED	BRONZE/PH.BRONZE	881623-3
	0,8	ESTANHADO/TIN PLATED	LATÃO/BRASS	1 881623-2
	0,8	—	LATÃO/BRASS	1 881623-1

INSERTION AND EXTRACTION REQUIREMENTS	1st ON (N)MAX	1st OFF (N)MIN	6th ON (N)MIN
	46	28	15

THIS DRAWING IS A CONTROLLED DOCUMENT.

DIMENSIONS:	TOLERANCES UNLESS OTHERWISE SPECIFIED:
mm	
0 PLC	±-
1 PLC	±0,3
2 PLC	±-
3 PLC	±-
4 PLC	±-
ANGLES	±1°

DWN	20JUN2017
H.C.CANTER	
CHK	26JUN2017
W.L.STEFANI	
APVD	-
PRODUCT SPEC	-
APPLICATION SPEC	-
WEIGHT	-
CUSTOMER DRAWING	



NAME			
.187 SERIES FASTON REC.			
SIZE	CAGE CODE	DRAWING NO	RESTRICTED TO
A3	-	881623	-
SCALE	SHEET	OF	REV
5/1	1	1	J

Ø 2,0-3,3mm.	0,5-1,0mm2
INS. RANGE	WIRE RANGE

MATERIAL	FINISH
SEE TABLE	SEE TABLE

## X-ON Electronics

Largest Supplier of Electrical and Electronic Components

*Click to view similar products for [Terminals](#) category:*

*Click to view products by [TE Connectivity](#) manufacturer:*

Other Similar products are found below :

[HT-13-10](#) [71M-250-32-NB](#) [01-2065-1-0216](#) [00581P0075](#) [M10-10RX](#) [M10BCK](#) [60205-1](#) [604200-1](#) [60598-1-CUT-TAPE](#) [60617-1-C](#) [60873-1](#) [M14-516R/SK](#) [M14-6RSX](#) [M18-10FLX](#) [M18-8FBX](#) [M18-8R/LX](#) [M18BCK](#) [61314-6-C](#) [61-S](#) [61-SN-A](#) [62149-1](#) [62-NBM-A](#) [63-S](#) [640179-1](#) [640917-2-CUT-TAPE](#) [6501550002](#) [66107-2-C](#) [66107-4-C](#) [696683-1](#) [696834-1](#) [696861-1](#) [696931-1](#) [696999-1](#) [M8-516RK](#) [M86700006](#) [MA250DMFMX-A](#) [701-2007](#) [701-2307](#) [701-7761-03](#) [70F-110-32-PB](#) [718-N-A](#) [71M-187-20-NBL](#) [71M-250-32-NBL](#) [72F-187-20-NBL](#) [72M-250-32-NBL](#) [7310](#) [73F-250-32](#) [73F-250-32-NBL](#) [73F-250-32-NL](#) [F-1M](#)