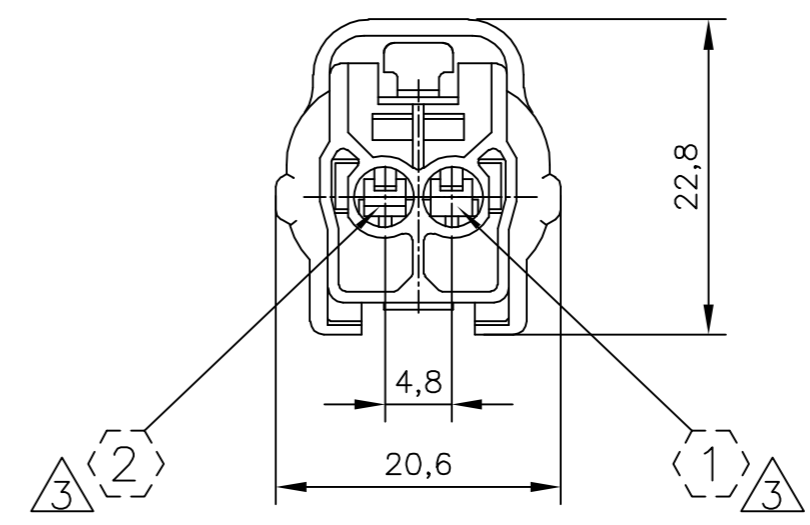
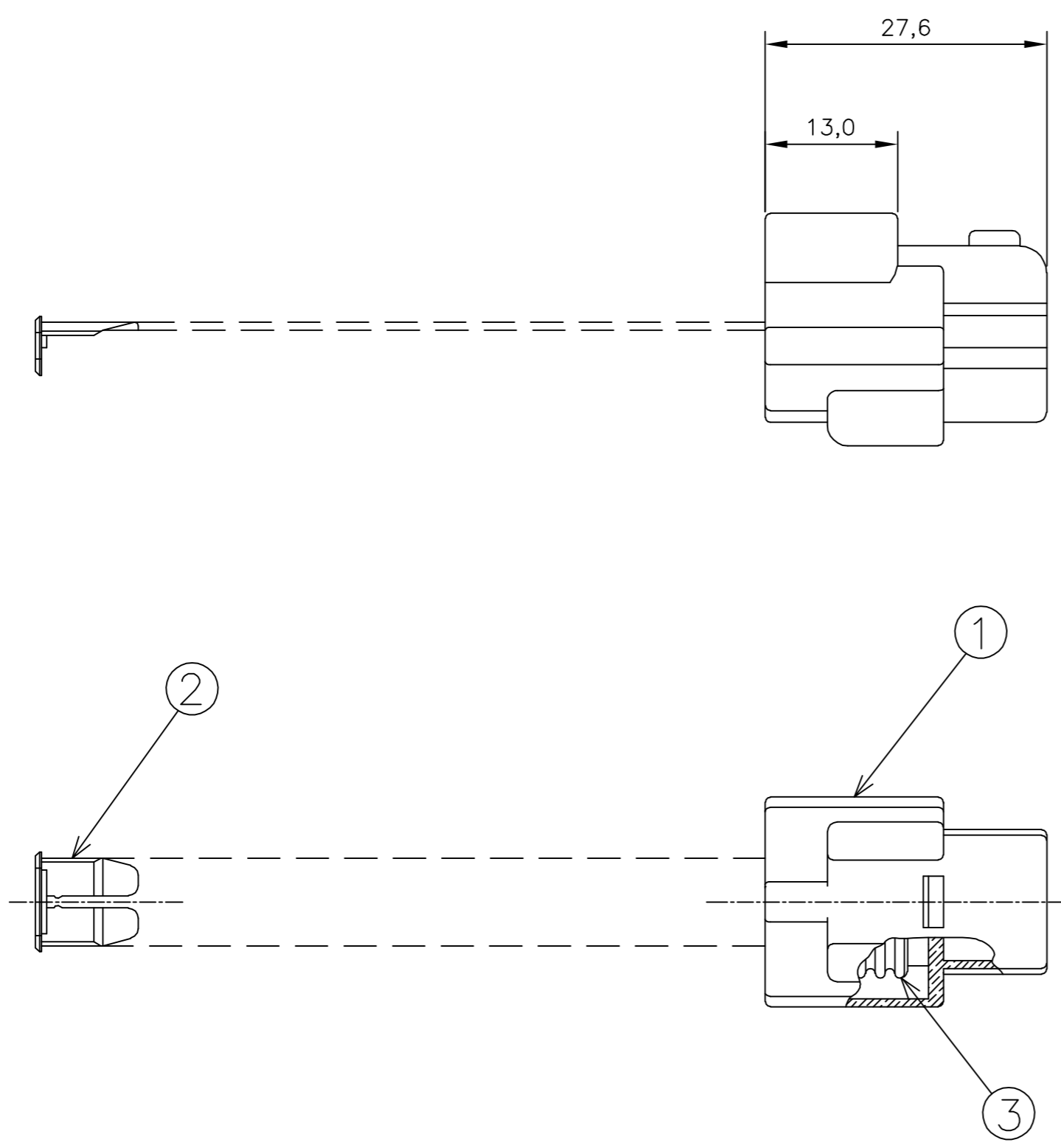


LOC	DIST	REVISIONS					
AP	-	P	LTR	DESCRIPTION	DATE	DWN	APVD
		A1		REVISED DESIGN ECO-12-009649	23MAY2012	NCL	GOJ



- 1 - OS ITENS 1 e 2 DEVEM SER FORNECIDOS DESMONTADOS  
ITEMS 1 AND 2 MUST BE SUPPLIED NOT ASSEMBLED
- 2 - OS ITENS 1 e 3 DEVEM SER FORNECIDOS MONTADOS  
ITEMS 1 AND 2 MUST BE SUPPLIED ASSEMBLED
- 3 - INDICAÇÃO DOS CIRCUITOS SOMENTE ORIENTATIVO: NÃO CONSTAM COMO GRAVAÇÃO NA PEÇA FÍSICA  
CIRCUIT INDICATION IS ONLY ORIENTATIVE: DON'T HAVE MARKING IN THE PHYSICAL PART
- 4 - CONTRA-PEÇA: VER DESENHO PN 881772  
COUNTER-PART: SEE DRAWING PN 881772

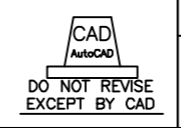
SELOS RECOMENDADOS RECOMMENDED WIRE SEALS					
PART NUMBER	DESCRIÇÃO DESCRIPTION	WIRE RANGE	INSULATION RANGE	MATERIAL	ACABAMENTO FINISH
172748-1	SINGLE WIRE SEAL	CAVITY PLUG	CAVITY PLUG	SILICONE / SILICON	PRETO/BLACK
172748-2	SINGLE WIRE SEAL	CAVITY PLUG	CAVITY PLUG	SILICONE / SILICON	CINZA/GRAY
444430-1	SINGLE WIRE SEAL	0,5 TO 1,5mm <sup>2</sup>	Ø 1,4 TO 2,4mm	SILICONE / SILICON	MARROM/BROWN

TERMINAIS RECOMENDADOS RECOMMENDED TERMINALS					
PART NUMBER	DESCRIÇÃO DESCRIPTION	WIRE RANGE	INSULATION RANGE	MATERIAL	ACABAMENTO FINISH
880694-1	TERMINAL 1.8 ECONOSEAL "J" SERIES MARKII REC	0,5 TO 1,0mm <sup>2</sup>	Ø 1,4 TO 2,0mm	LATÃO/BRASS	PRÉ ESTANHADO/PRE TIN
880694-2	TERMINAL 1.8 ECONOSEAL "J" SERIES MARKII REC	0,5 TO 1,0mm <sup>2</sup>	Ø 1,4 TO 2,0mm	BRONZE	PRÉ ESTANHADO/PRE TIN
880697-1	TERMINAL 1.8 ECONOSEAL "J" SERIES MARKII REC	0,5 TO 1,0mm <sup>2</sup>	Ø 1,4 TO 2,4mm	LATÃO/BRASS	PRÉ ESTANHADO/PRE TIN
880697-2	TERMINAL 1.8 ECONOSEAL "J" SERIES MARKII REC	0,5 TO 1,0mm <sup>2</sup>	Ø 1,4 TO 2,4mm	BRONZE	PRÉ ESTANHADO/PRE TIN
880697-3	TERMINAL 1.8 ECONOSEAL "J" SERIES MARKII REC	0,5 TO 1,0mm <sup>2</sup>	Ø 1,4 TO 2,4mm	LATÃO/BRASS	PRÉ PRATEADO/PRE SILVER
880698-1	TERMINAL 1.8 ECONOSEAL "J" SERIES MARKII REC	1,0 TO 1,5mm <sup>2</sup>	Ø 1,4 TO 2,4mm	LATÃO/BRASS	PRÉ ESTANHADO/PRE TIN
880698-2	TERMINAL 1.8 ECONOSEAL "J" SERIES MARKII REC	1,0 TO 1,5mm <sup>2</sup>	Ø 1,4 TO 2,4mm	BRONZE	PRÉ ESTANHADO/PRE TIN

REQ. PER ASSY	ITEM NO	DESCRIÇÃO DESCRIPTION	MATERIAL	ACABAMENTO FINISH
1	3	SEAL RING	SILICON	PRETO / BLACK
1	2	DOUBLE LOCK 2 POSN. ECONOSEAL "J" MARK II	PBT	AMARELO / YELLOW
1	1	PLUG HSG, 2 POSN. ECONOSEAL "J" MARK II	PBT	PRETO / BLACK
-1				

THIS DRAWING IS A CONTROLLED DOCUMENT.

DWN	NCLapresa	17MAY2011	TE Connectivity			
CHK	José R. Goldschmidt	20MAY2011				
APVD	Maurício Gisoldi	20MAY2011				
NAME						
PRODUCT SPEC			KIT ECONOSEAL "J" 2 POSN.			
APPLICATION SPEC						
WEIGHT			SIZE	CAGE CODE	DRAWING NO	RESTRICTED TO
VER TABELA	VER TABELA		A2	00779	881773	
CUSTOMER DRAWING			SCALE	SHEET	REV	
			2:1	1 of 1	A1	



## X-ON Electronics

Largest Supplier of Electrical and Electronic Components

*Click to view similar products for [Automotive Connectors](#) category:*

*Click to view products by [TE Connectivity](#) manufacturer:*

Other Similar products are found below :

[003-018-000](#) [60403001](#) [60993906-B](#) [M902-2131](#) [M902-2161](#) [72.330.1035.1](#) [73.353.4028.0](#) [F119300-B](#) [F166900](#) [F258300-B](#) [F358300-B](#)  
[F407400](#) [F444110](#) [F487000](#) [F509500B-B](#) [827153-1](#) [8N1515-32-24P](#) [9-1326729-8](#) [925474-1](#) [928905-1](#) [964562-4](#) [968782-1](#) [GT17SA-8DS-](#)  
[HU](#) [98891-1012](#) [98947-1016](#) [12004147](#) [12004475-L](#) [12010290](#) [12010309-B](#) [12015454](#) [12020219-B](#) [12020308](#) [12041318-B](#) [12052225-L](#)  
[12052466](#) [12059125](#) [12064869](#) [12004327-B](#) [12010503-B](#) [12015308](#) [12015384](#) [12015909](#) [1-21030-1](#) [12041254](#) [12041318](#) [12047946-B](#)  
[12047957](#) [12047957-L](#) [12059473](#) [12066261](#)