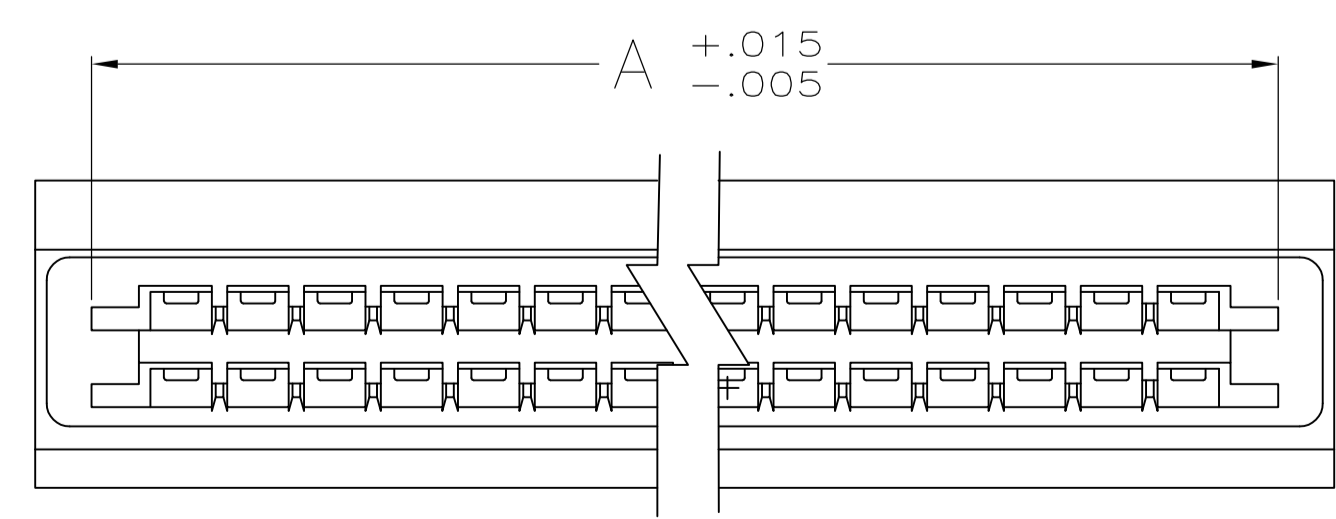
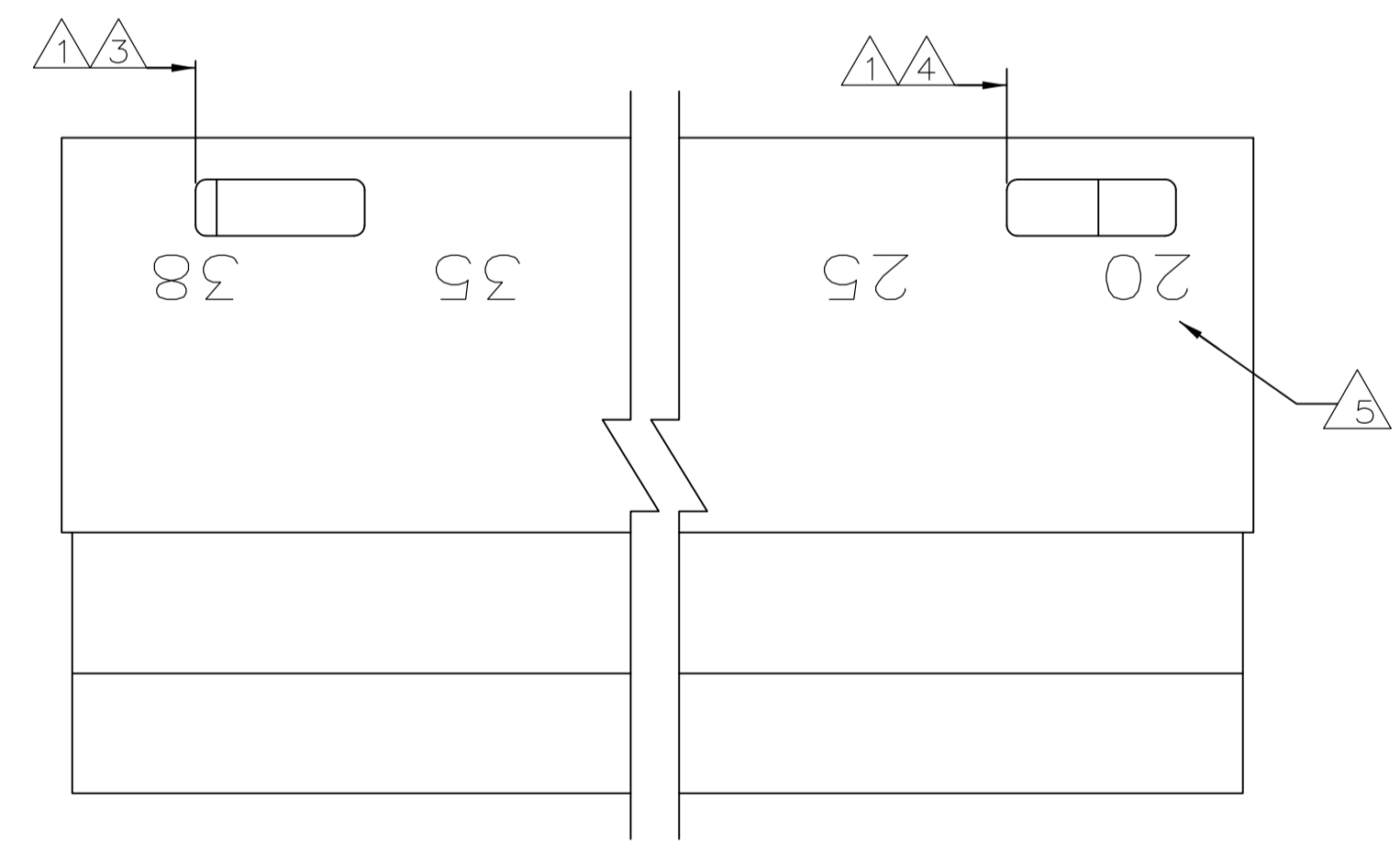
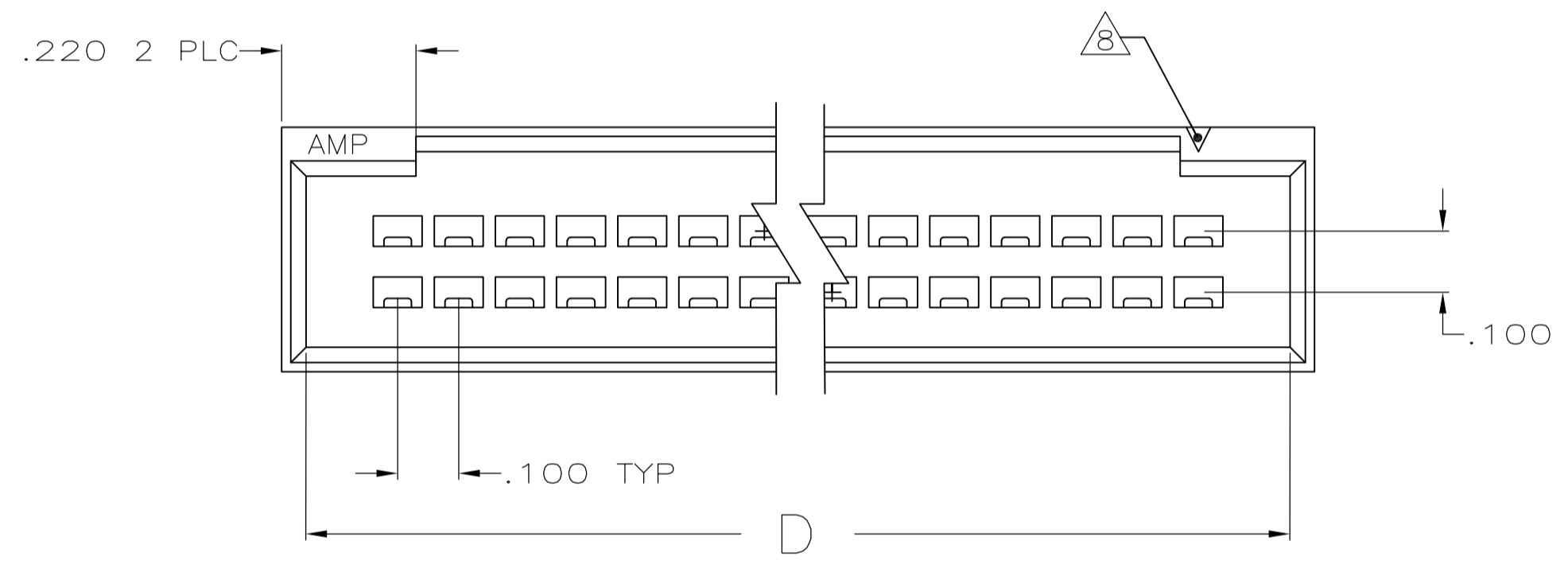


CRIMPED CONTACT SHOWN FOR REF ONLY

- 1 DETENT SLOTS 6,10,12,16 & 18 POSN ONE SLOT LOCATED AS FOLLOWS:  
6 POSN CENTERLINE OF FIRST CIRCUIT FROM LEFT  
10 AND 12 POSN CENTERLINE ON SECOND CIRCUIT FROM LEFT  
16 POSN CENTERLINE OF THIRD CIRCUIT FROM LEFT  
18 POSN CENTERLINE OF FORTH CIRCUIT FROM LEFT  
20 POSN AND GREATER TWO DETENT SLOTS LOCATED AS SHOWN
- 2 PART NO. AND DATE CODE INK STAMPED, WHITE.
- 3 CENTERLINE OF FIRST CAVITY FROM LEFT
- 4 CENTERLINE OF THIRD CAVITY FROM RIGHT
- 5 CAVITY IDENTS INK STAMPED (WHITE), IN AREA SHOWN (SEE TABLE)
- 6 HOUSING WILL ACCOMMODATE FLEXIBLE FLAT CABLE .050 OR .062 WIDE CONDUCTORS ON .100 CENTERS (CABLE=.015 MAX THK) AND #22-#24 AWG WIRE WITH INSULATION RANGE OF .061 TO .069 DIA
- 7 THIS HOUSING IS DESIGNED TO MATE WITH FFC RECEPTACLE HOUSING AND AMP LATCH RECEPTACLE HOUSING
- 8 INDICATES POSITION 1, MAY BE RECESSED OR RAISED.
- 9 OBSOLETE PART NUMBER
- 10 SUPERSEDED BY AS MOLDED PART NUMBER.
- 11 GLASS-FILLED NYLON, BLACK, UL V-0.
- 12 OBSOLETE PARTS: OBSOLETE CIS STREAMLINING PER D.RENAUD/D.SINISI



9	3-88189-7	2,6	8,10,14	.900	.980	.950	.834	14	9	3-88189-8
9	3-88189-5	2,5,10,16	18,25,30,34	1.900	1.980	1.950	1.834	34	12	3-88189-6
9	3-88189-3	2,5	7,10,12	.800	.880	.850	.734	12	12	3-88189-4
9	3-88189-1	2	4,6	.500	.580	.550	.434	6	9	3-88189-2
12	2-88189-9	2,4	6,10	.700	.780	.750	.634	10	9	3-88189-0
9	2-88189-7	2,5,10,15,20,25,30,34	36,40,45,50,55,60,65,70	3.700	3.780	3.750	3.634	70	9	2-88189-8
9	2-88189-5	2,5,10,15,20,25,32	34,40,45,50,55,60,66	3.500	3.580	3.550	3.434	66	9	2-88189-6
9	2-88189-3	2,5,10,15,20,25,29	31,35,40,45,50,55,60	3.200	3.280	3.250	3.134	60	9	2-88189-4
9	2-88189-1	2,5,10,15,20,25,28	30,35,40,45,50,55,58	3.100	3.180	3.150	3.034	58	9	2-88189-2
9	1-88189-9	2,5,10,15,20,24	26,30,35,40,45,50	2.700	2.780	2.750	2.634	50	12	2-88189-0
9	1-88189-7	2,5,10,15,21	23,25,30,35,40,44	2.400	2.480	2.450	2.334	44	9	1-88189-8
9	1-88189-5	2,5,10,15,19	21,25,30,35,40	2.200	2.280	2.250	2.134	40	9	1-88189-6
9	1-88189-3	2,5,10,17	19,25,30,36	2.000	2.080	2.050	1.934	36	9	1-88189-4
9	1-88189-1	2,5,10,13	15,20,25,28	1.600	1.680	1.650	1.534	28	9	1-88189-2
9	88189-9	2,5,12	14,20,26	1.500	1.580	1.550	1.434	26	9	1-88189-0
9	88189-7	2,5,11	13,20,24	1.400	1.480	1.450	1.334	24	9	88189-8
9	88189-5	2,5,9	11,15,20	1.200	1.280	1.250	1.134	20	9	88189-6
9	88189-3	2,5,8	10,15,18	1.100	1.180	1.150	1.034	18	9	88189-4
10	88189-1	2,5,10,15,18	20,25,30,35,38	2.100	2.180	2.150	2.034	38	12	88189-2

INK STAMPED PART NO.	NEAR SIDE	FAR SIDE	D	C	B	A	NO OF POSN	AS MOLDED PART NO.
2 5	CAVITY POSN. NO. STAMPED 5							

THIS DRAWING IS A CONTROLLED DOCUMENT. DIMENSIONS: INCHES. TOLERANCES UNLESS OTHERWISE SPECIFIED: 0 PLC ± .005, 1 PLC ± .005, 2 PLC ± .005, 3 PLC ± .005, 4 PLC ± .005, ANGLES ± .005. MATERIAL: 11. FINISH: -. WEIGHT: -. SIZE: A1.00779. C=88189. CUSTOMER DRAWING. SCALE: 4:1. SHEET: 1 OF 1. REV: AE2.

DIN J. GALLUCCI 2-21-89. CJK: D L ROCKER 3-2-89. NAME: HOUSING, PIN, DBL ROW, W/DETENT SLOTS, .100. PRODUCT SPEC: -. APPLICATION SPEC: -. DRAWING NO: 00779. C=88189. RESTRICTED TO: -. CUSTOMER DRAWING. SCALE: 4:1. SHEET: 1 OF 1. REV: AE2.

## X-ON Electronics

Largest Supplier of Electrical and Electronic Components

*Click to view similar products for [FFC & FPC Connectors](#) category:*

*Click to view products by [TE Connectivity](#) manufacturer:*

Other Similar products are found below :

[FPH-1422G](#) [FPH-1602G](#) [K-FC20](#) [FPH-2022G](#) [AYF332735](#) [52610-1075](#) [52610-1275](#) [52610-1934](#) [501864-3091-TR225](#) [086222026001800](#)  
[52610-0675](#) [62684-36210E9ALF](#) [52746-1671-TR250](#) [10051922-2810EHLF](#) [6-520415-9](#) [SFV6R-1STE9HLF](#) [XF3M-2915-1B-R100](#)  
[1658549-1](#) [AYF534065TA](#) [AYF351525](#) [086212040340800+](#) [67000-014LF](#) [67000-004LF](#) [006207341915000+](#) [DS1020-19RT1D](#) [67000-](#)  
[003LF](#) [67000-011LF](#) [67000-016LF](#) [HFW14R-2STE9LF](#) [SFV32R-2STBE9HLF](#) [SFW12R-5STE9LF](#) [SFW18R-1STAE9LF](#) [SFW4R-5STE9LF](#)  
[52807-0430](#) [046283021002868+](#) [THD1015-8CL-SN](#) [67000-006LF](#) [502250-8027](#) [104267-9617](#) [66987-011LF](#) [AYF362535](#) [F0501-T-50-20T-](#)  
[R](#) [F1003-ZV-12-25T-R](#) [HFW8S-2STAE1HLF](#) [67000-008LF](#) [67000-012LF](#) [ECC576069EU](#) [F1002-B-20-20T-R](#) [HFW15S-2STAE1HLF](#)  
[HFW22R-2STE1H1LF](#)