

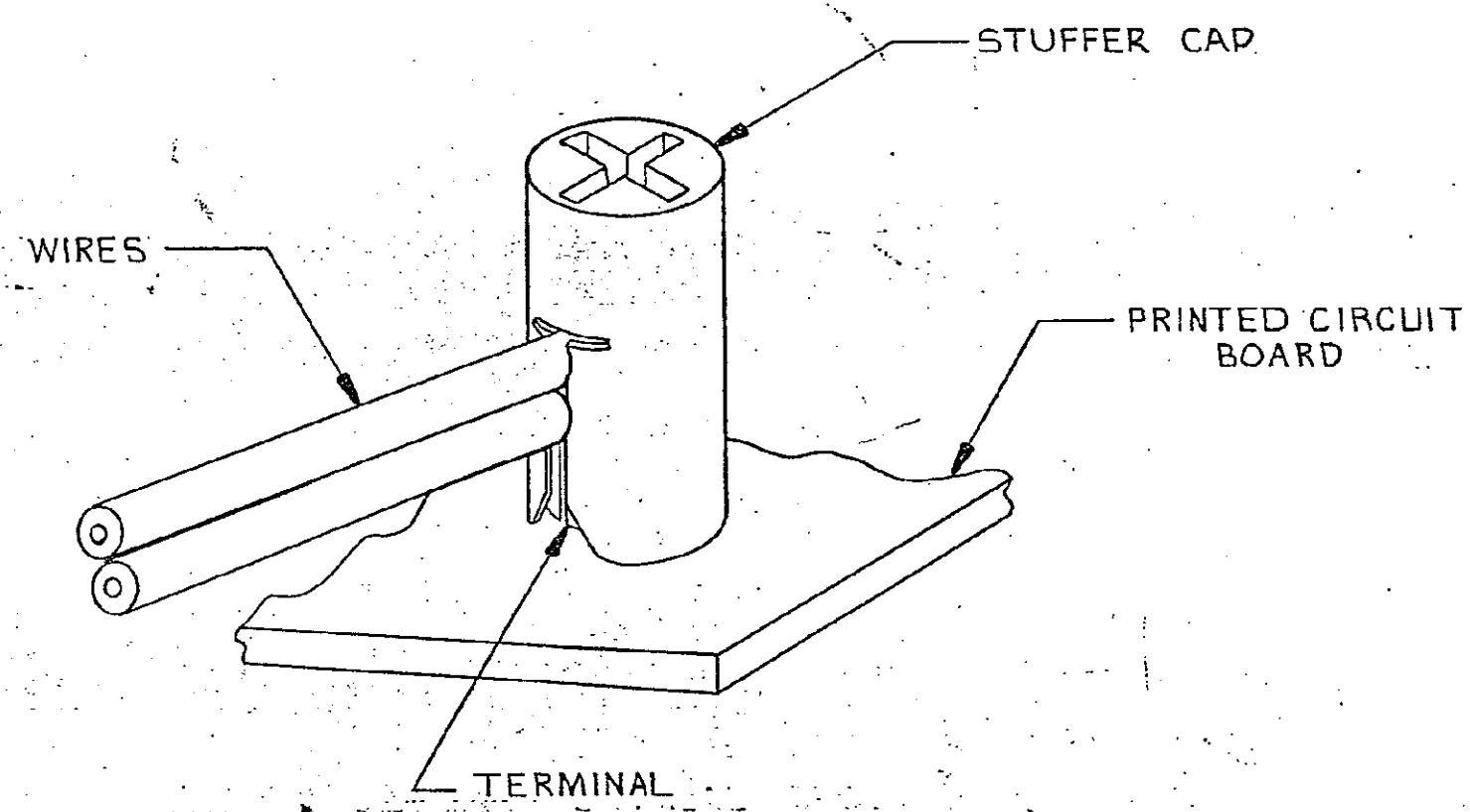
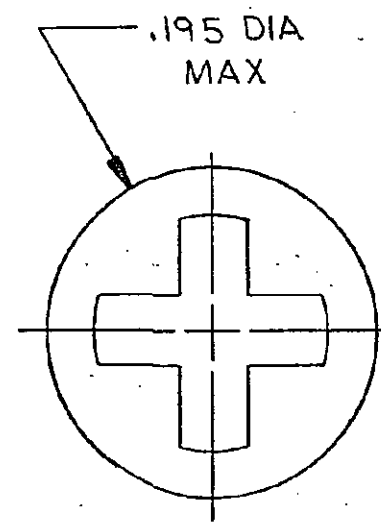
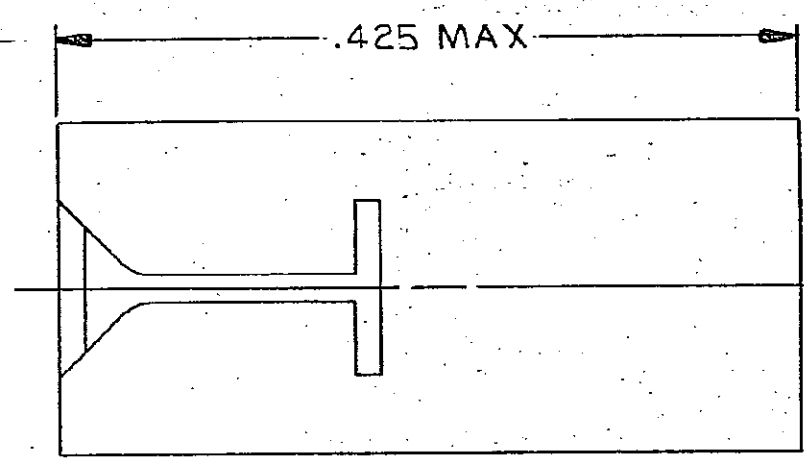
DRAWING MADE IN THIRD ANGLE PROJECTION

LOC AA DIST 27

© COPYRIGHT 1978 BY AMP INCORPORATED, HARRISBURG, PA. ALL INTERNATIONAL RIGHTS RESERVED. AMP INCORPORATED PRODUCTS COVERED BY U. S. AND FOREIGN PATENTS AND/OR PATENTS PENDING.


REVISIONS						
P	F	ZONE	LTR	DESCRIPTION	DATE	APPROVED
		E		OBS: 5/11/EC 0502-0222-96	5/11/77	OS

1. RECOMMENDED INSERTION TOOL: NO. 2 PHILLIPS SCREWDRIVER.



DETAIL A FOR REFERENCE ONLY

LOOSE PIECE	NATURAL YELLOW	552699	24-28	-3
PACKAGING	COLOR	TERM PART NO.	WIRE GAGE	PART NO
			18-22	230707-1

UNLESS OTHERWISE SPECIFIED DIMENSIONS ARE IN INCHES. TOLERANCES ON: DECIMALS ± ANGLES ±	CONTRACT NO		 AMP INCORPORATED Harrisburg, Pa.	
	DR: <i>Victor E. Slack</i> 12/29/78			
MATERIAL NYLON 6/6	CHK <i>RE Reich</i> 1/2/79	CAP, STUFFER, .125 DIA		
FINISH	APPD <i>V. Q. Vancian</i> 1-2-79	SIZE C	CODE IDENT NO 00779	DRAWING NO. 230707
	OTHER APPD <i>RE Reich</i> 1/2/79	SCALE: 10-1		SHEET 1 OF 1

A WAS 1222-77-27

230707

CUSTOMER DRAWING

X-ON Electronics

Largest Supplier of Electrical and Electronic Components

Click to view similar products for te connectivity manufacturer:

Other Similar products are found below :

[570416-000](#) [CLTEQ-M81CE-SSRELAY-4-20V](#) [4-1633138-8](#) [1-2217206-1](#) [D38999/24FJ4AN](#) [358838-000](#) [4-1195131-0](#) [650069-000](#)
[SMD100-2](#) [CB-1022B-78](#) [RM707012](#) [RP410012](#) [MMS42](#) [1-640426-8](#) [2EDL4CM](#) [DTS20W19-11PD-3028](#) [DTS20W19-11PD-3028-LC](#)
[DTS20W19-32SD-3028-LC](#) [DTS20W19-32SD-3028](#) [RM202615](#) [NC6-P104-06](#) [TXR64AB90-3616AI](#) [MSPS103B](#) [DTS26F21-41HE](#)
[DTS26F21-41AE](#) [DTS26F21-41PE-LC](#) [DTS26F21-11SE-3028-LC](#) [1932144-1](#) [293545-4](#) [LVR125S](#) [MS27466T25F4PB](#) [CKB-38-78010](#)
[1206SFF150F/63-2](#) [5-2027513-8](#) [D38999/20JB35HA](#) [D38999/24WJ20PA](#) [1754138-1](#) [TE1500A2R2J](#) [DTS24F25-29PC-3028-LC](#) [164-8033-](#)
[08](#) [D38999/24WG11HA](#) [D38999/24WG11HN](#) [MS27467T21F11H](#) [DJT16E21-11HA](#) [1206SFH150F/24-2](#) [1-532955-3](#) [DTS20W19-32SA-](#)
[3028-LC](#) [DTS24F19-11SC-3028-LC](#) [DTS24F19-11SC-3028](#) [D38999/20WC8BB](#)