

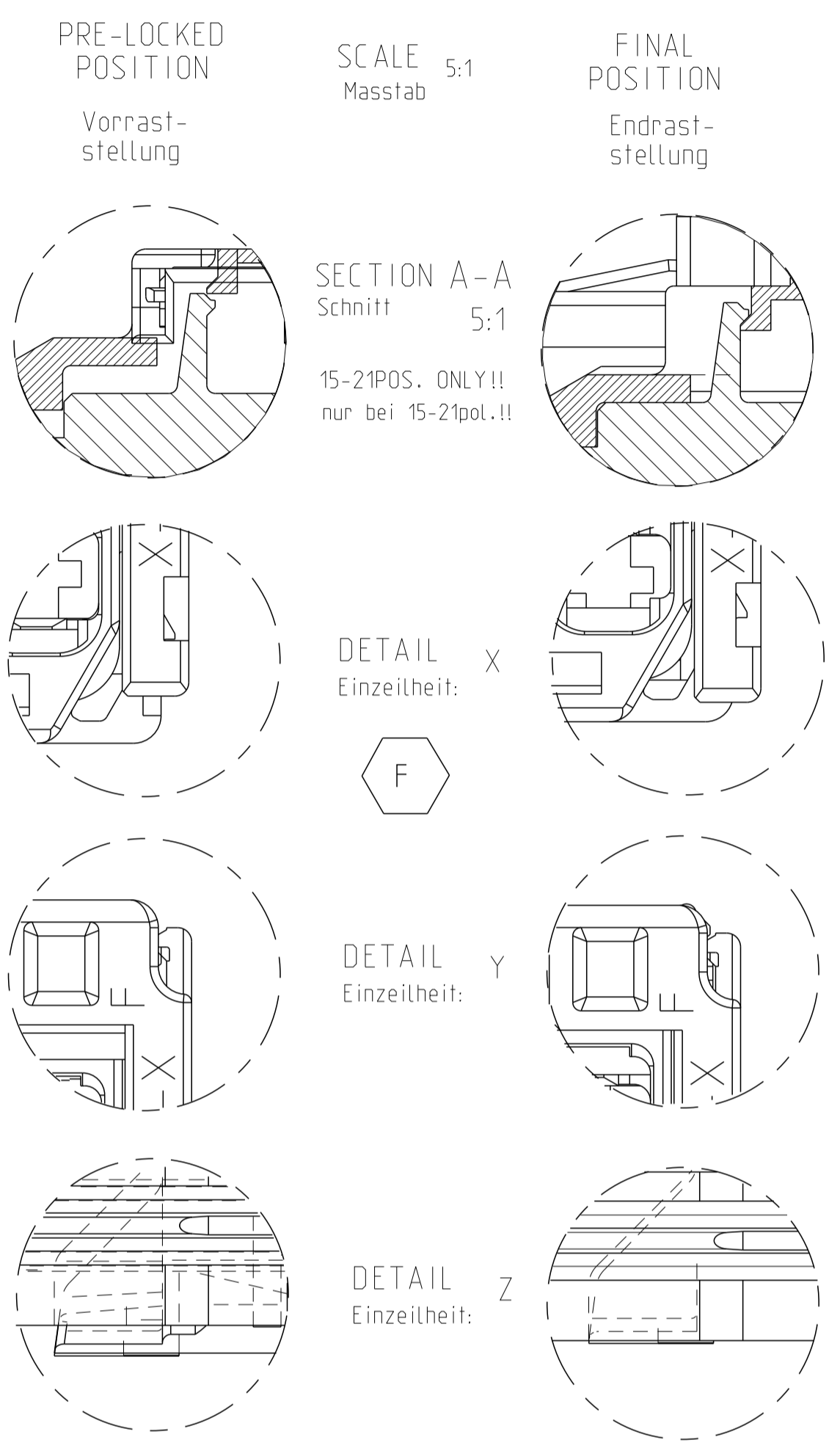
3D-MODEL (18POS.; CODING A)  
2:1

|      |   |    |                                   |                                   |                                   |    |                    |                   |                              |
|------|---|----|-----------------------------------|-----------------------------------|-----------------------------------|----|--------------------|-------------------|------------------------------|
|      | 6 | 30 | 36.2                              | 38                                | 39.9                              | 41 | 34.2               | 11.6g             | 21                           |
|      | 5 | 25 | 31.2                              | 33                                | 34.9                              | 36 | 29.2               | 10.3g             | 18                           |
|      | 4 | 20 | 26.2                              | 28                                | 29.9                              | 31 | 15.5               | 9.0g              | 15                           |
|      | 3 | 15 | 21.2                              | 23                                | 24.9                              | 26 | 10.5               | 7.7g              | 12                           |
|      | 2 | 10 | 16.2                              | 18                                | 19.9                              | 21 | 5.5                | 6.3g              | 9                            |
|      | 1 | 5  | 11.2                              | 13                                | 14.9                              | 16 | 4.5                | 4.9g              | 6                            |
| M1:1 | n | b  | c <sup>+0.1</sup> <sub>-0.3</sub> | d <sup>+0.4</sup> <sub>-0.3</sub> | e <sup>+0.2</sup> <sub>-0.5</sub> | f  | g <sup>±0.25</sup> | WEIGHT<br>Gewicht | NUMBER OF<br>WAYS<br>Polzahl |

8-968974-1 AS SHOWN IN PRE-LOCKED POSITION  
wie gezeichnet in Vorraststellung

PRE-LOCKED AND FINAL POSITION

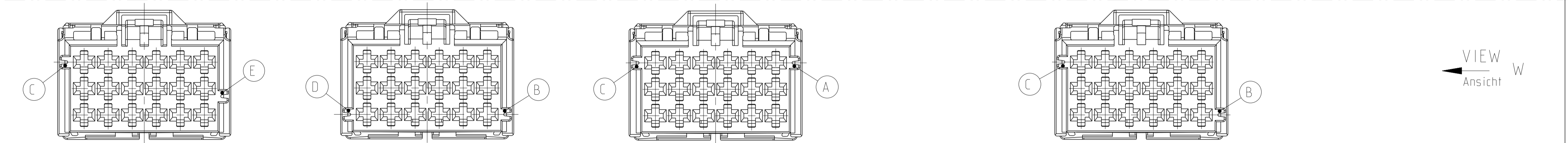
Vorrast- und Endraststellung  
SLIDING DISTANCE: 1mm  
Verschiebeweg: 1mm



| MATED WITH<br>passend zu: |           | PROJEKT NR.<br>A97-52046                   | LOC<br>A1 | DIST<br>- | REVISIONS |  |  |  |
|---------------------------|-----------|--|-----------|-----------|-----------|--|--|--|
| REV                       | DATE      | DESCRIPTION                                | DATE      | OWN       | APVD      |  |  |  |
| E                         | 29SEP2018 | CHANGE OF BASE MATERIAL                    |           | HO.       | SCHO      |  |  |  |
| E1                        | 29NOV2018 | PART REV. IN CHART ON SHEET 2 OF 2 REVISED |           | MAH.      | SCHO      |  |  |  |
| E2                        | 12FEB2019 | SEE PCN E-19-002255                        |           | MAH.      | SCHO      |  |  |  |
| F                         | 21JAN2020 | SEE PCN E-19-011087                        |           | MAH.      | SCHO      |  |  |  |

NOTES  
Bemerkungen

- MATING CONNECTOR FOR AMP MCP 2.8 HOUSING  
SEE DRAWINGS 1355072 (TAB HOUSINGS),  
1964562 (TAB HOUSINGS),  
966140 (TAB HEADER),  
114-18085-025 (INTERFACE-DRAWING)  
Gegenstecker fuer AMP MCP 2.8 Gehaeuse  
siehe Zeichnungen 1355072 (Flachstecker-Gehaeuse),  
1964562 (Flachstecker-Gehaeuse),  
966140 (Messeleisten),  
114-18085-025 (Ausfuehrungsvorschrift)
- CAVITIES MATING WITH AMP MCP 2.8 CONTACTS  
(WITHOUT SWS. MAX. WIRE SIZE: 2.5mm<sup>2</sup> FLR) -  
SEE PRODUCT GROUP DRAWING: 1355036  
Kontaktkammern passend fuer AMP MCP 2.8 Kontakte  
(ohne EDS. max. Leitungsquerschnitt: 2.5mm<sup>2</sup> FLR)  
- siehe Produktgruppenzeichnung : 1355036
- DESIGN DEPENDS ON NUMBER OF WAYS  
Aussehen je nach Polzahl unterschiedlich
- WARPAGE TO ... PERMITTED  
Verzug bis ... zulaessig
- MOULD CAVITY-MARKING = X  
SERIAL MOULD-NUMBER = n. (if n>1 only)  
Nestmarkierung = X  
Serienwerkzeug-Nr. = n (nur wenn n>1)
- MATERIAL-MARKING ACC. TO VDA 260  
Werkstoffkennzeichnung nach
- CAVITY-MARKING  
Kammerbezeichnung
- THE REVISION STATUS OF THE MOULD  
Aenderungszustand des Werkzeuges
- TE PARTNUMBER  
TE Bestell-Nr. Teil
- WARPAGE TO 11.3 PERMITTED  
Verzug bis 11.3 zulaessig
- PRODUCTION-DATE  
Produktionsdatum
- PACKAGING: BULK PACKAGING IN CORRUGATED BOX -  
INDICATED BY PRE-DASH-NO.s 8-, 7-, 6-, 5-;  
THESE PRE-DASH-NO.s ARE ON PART NOW:  
Verpackung: Schuetttgut in Versandkarton -  
gekennzeichnet durch Vorstrichzahlen 8-, 7-, 6-, 5-;  
diese Vorstrichzahlen sind jetzt auch am Teil!
- MALFUNCTION CAUSED BY LACQUER IS NOT  
COVERED BY TE WARRANTY  
Funktionbeeintraechtigung durch Lackieren liegt  
nicht im Einfluss und Gewaehrleistungsumfang von TE
- COMPANY LOGO  
Firmenzeichen



| CODING / Kodierung D<br>RIB / Rippe: C-E |                               |     |                                  | CODING / Kodierung C<br>RIB / Rippe: B-D |                               |     |                         | CODING / Kodierung B<br>RIB / Rippe: A-C |                               |     |                 | CODING / Kodierung A<br>RIB / Rippe: B-C |                               |     |                 | MECHAN. CODING<br>mechan. Kodierung   |                               |              |                 |               |                                     |                       |   |           |
|--|-------------------------------|-----|----------------------------------|--|-------------------------------|-----|-------------------------|--|-------------------------------|-----|-----------------|--|-------------------------------|-----|-----------------|---------------------------------------|-------------------------------|--------------|-----------------|---------------|-------------------------------------|-----------------------|---|-----------|
|  | 5-968975-1                    | F   | CLARET VIOLET<br>Bordeauxviolett |  | 6-968975-1                    | F   | LIGHT BLUE<br>Lichtblau |  | 7-968975-1                    | F   | NATURE<br>natur |  | 8-968975-2                    | F   | GREY<br>grau    |                                       | 8-968975-1                    | F            | BROWN<br>braun  | 1             | 21                                  | POS.<br>polig         | AMP MCP 2.8 HOUSING<br>AMP MCP 2.8 Gehaeuse | PBT-GF 15 |
|  | 5-968974-1                    | F   |                                  |  | 6-968974-1                    | F   |                         |  | 7-968974-1                    | F   |                 |  | -                             | -   |                 | 8-968974-1                            | F                             | GREY<br>grau | 1               | 18            | POS.<br>polig                       |                       |   |           |
|  | 5-968973-1                    | F   |                                  |  | 6-968973-1                    | F   |                         |  | 7-968973-1                    | F   |                 |  | 8-968973-2                    | F   | GREY<br>grau    | 1                                     | VIOLET<br>violett             | 1            | 15              | POS.<br>polig |                                     |                       |   |           |
|  | 5-968972-1                    | F   |                                  |  | 6-968972-1                    | F   |                         |  | 7-968972-1                    | F   |                 |  | 8-968972-2                    | F   | GREY<br>grau    | 1                                     | GREEN<br>gruen                | 1            | 12              | POS.<br>polig |                                     |                       |   |           |
|  | 5-968971-1                    | F   |                                  |  | 6-968971-1                    | F   |                         |  | 7-968971-1                    | F   |                 |  | 8-968971-2                    | F   | GREY<br>grau    | 1                                     | YELLOW<br>gelb                | 1            | 9               | POS.<br>polig |                                     |                       |   |           |
|  | 5-968970-1                    | F   |                                  |  | 6-968970-1                    | F   |                         |  | 7-968970-1                    | F   |                 |  | 8-968970-2                    | F   | GREY<br>grau    | 1                                     | GENTIAN<br>BLUE<br>Enzianblau | 1            | 6               | POS.<br>polig |                                     |                       |   |           |
| CUSTOMER PART NO.<br>Kunden-Teile-Nr.    | TE ORDER-NO<br>TE Bestell-Nr. | REV | COLOUR<br>Farbe                  | CUSTOMER PART NO.<br>Kunden-Teile-Nr.    | TE ORDER-NO<br>TE Bestell-Nr. | REV | COLOUR<br>Farbe         | CUSTOMER PART NO.<br>Kunden-Teile-Nr.    | TE ORDER-NO<br>TE Bestell-Nr. | REV | COLOUR<br>Farbe | CUSTOMER PART NO.<br>Kunden-Teile-Nr.    | TE ORDER-NO<br>TE Bestell-Nr. | REV | COLOUR<br>Farbe | CUSTOMER PART NO.<br>Kunden-Teile-Nr. | TE ORDER-NO<br>TE Bestell-Nr. | REV          | COLOUR<br>Farbe | POS.          | DESCRIPTION<br>Benennung Einzelteil | MATERIAL<br>Werkstoff |   |           |

THIS DRAWING IS A CONTROLLED DOCUMENT.

APVD: R. Huebner, 19JAN1998  
CHK: J. Hass, 19JAN1998  
APVD: M. Bleicher, 18JAN2008

TE Connectivity

PRODUCT GROUP DRAWING FOR: AMP MCP 2.8 HSG.  
6-21POS. WITH SECONDARY LOCKING DEVICE  
Produkt-Gruppen-Zeichnung fuer: AMP MCP 2.8 Gehaeuse.  
6-21polig mit zweiter Kontaktsicherung

SIZE: 108-18619-3  
APPLICATION SPEC: F

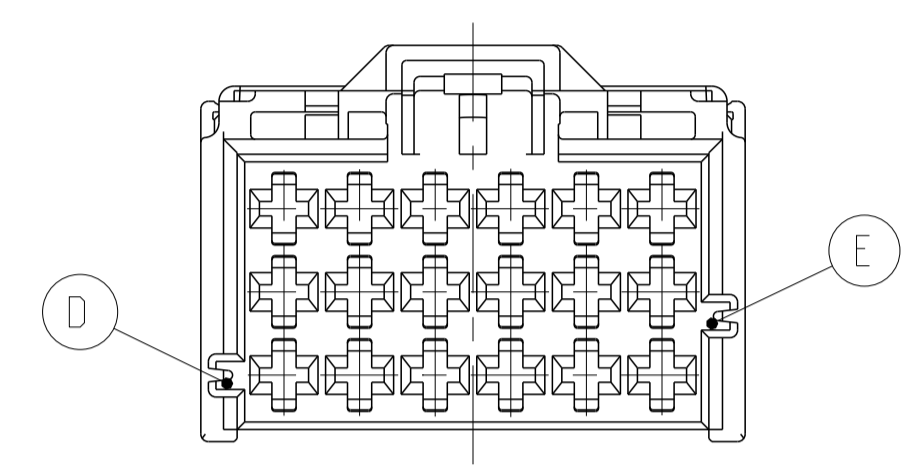
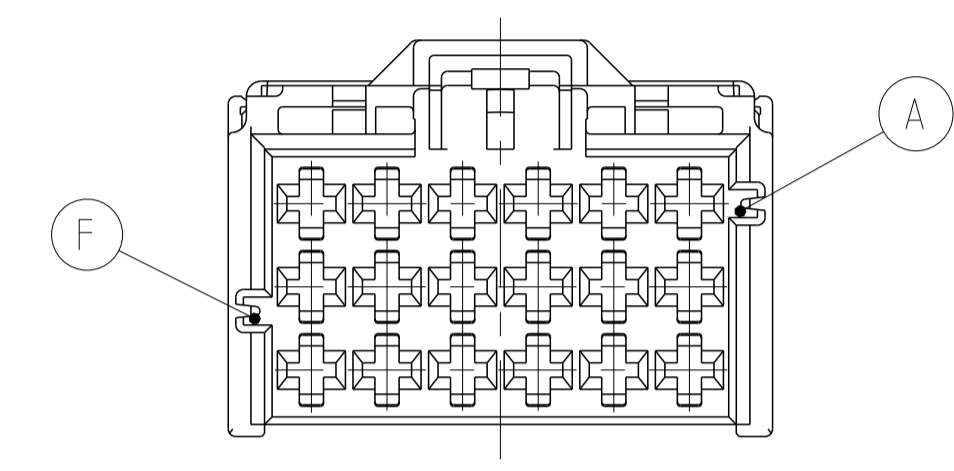
SCALE: 2:1

SHEET 1 OF 2

REV F

| MATED WITH /<br>PASSEND ZU: |      | PROJEKT NR.<br>A97-52046 | LOC<br>A1 | DIST<br>- | REVISIONS |  |  |  |
|-----------------------------|------|--------------------------|-----------|-----------|-----------|--|--|--|
| P.                          | LTN. | DESCRIPTION              | DATE      | DNW       | APVD      |  |  |  |
| -                           | -    | SEE SHEET 1              | -         | -         | -         |  |  |  |
|                             |      |                          |           |           |           |  |  |  |
|                             |      |                          |           |           |           |  |  |  |

## ADDITIONAL CODINGS / Zusätzliche Kodierungen



| CODING / Kodierung F                             |                                |        | MECHANICAL CODING: mechanische Kodierung: |                       |
|--|--------------------------------|--------|---|-----------------------|
| RIBS / Nuten: A-F                                |                                |        |   |                       |
| 9-968975-2                                       | F                              |        | 21 POS. pol.                              | PBT-GF15              |
| 9-968974-2                                       | F                              |        | 18 POS. pol.                              |                       |
|  |                                |        | 15 POS. pol.                              |                       |
| 9-968972-2                                       | F                              | ORANGE | 12 POS. pol.                              |                       |
|  |                                |        | 9 POS. pol.                               |                       |
| 9-968970-2                                       | F                              |        | 6 POS. pol.                               |                       |
| CUSTOMER PART NUMBER<br>Kunden-Einzelteil-Nummer | TE ORDER-NO.<br>TE Bestell-Nr. | REV.   | DESCRIPTION<br>Benennung Einzelteil       | MATERIAL<br>Werkstoff |

F

| CODING / Kodierung E                             |                                |               | MECHANICAL CODING: mechanische Kodierung: |                       |
|--|--------------------------------|---------------|---|-----------------------|
| RIBS / Nuten: E-D                                |                                |               |   |                       |
| 4-968975-1                                       | F                              |               | 21 POS. pol.                              | PBT-GF15              |
| 4-968974-1                                       | F                              |               | 18 POS. pol.                              |                       |
|  |                                |               | 15 POS. pol.                              |                       |
| 4-968972-1                                       | F                              | EMERALD GREEN | 12 POS. pol.                              |                       |
|  |                                |               | 9 POS. pol.                               |                       |
| 4-968970-1                                       | F                              |               | 6 POS. pol.                               |                       |
| CUSTOMER PART NUMBER<br>Kunden-Einzelteil-Nummer | TE ORDER-NO.<br>TE Bestell-Nr. | REV.          | DESCRIPTION<br>Benennung Einzelteil       | MATERIAL<br>Werkstoff |

F

|   |  |  |                        |                              |
|---|--|--|------------------------|------------------------------|
| THIS DRAWING IS A CONTROLLED DOCUMENT.  |  | DNW<br>R. Huebner<br>CHK<br>J. Haas  | 19JAN1998<br>19JAN1998 | <b>STE</b> TE Connectivity   |
| DIMENSIONS:<br>mm   |  | APVD<br>M. Bleicher  | 18JAN2008              |                              |
| TOLERANCES UNLESS OTHERWISE SPECIFIED:<br>mm<br>0 PLC ±0.10<br>1 PLC ±0.15<br>2 PLC ±0.20<br>3 PLC ±0.25<br>4 PLC ±0.30<br>ANGLES ±2° |  | NAME<br>PRODUCT GROUP DRAWING FOR: AMP MCP 2.8 HSG.<br>6-21POS. WITH SECONDARY LOCKING DEVICE<br>Produkt-Gruppen-Zeichnung fuer: AMP MCP 2.8 Gehaeuse.<br>6-21polig mit zweiter Kontaktsicherung |                        | RESTRICTED TO                |
| MATERIAL<br>SEE PARTS LIST  |  | WEIGHT<br>SEE TABLE  | SIZE<br>A1             |                              |
| FINISH<br>SEE PARTS LIST  |  | CUSTOMER DRAWING   |                        | SCALE 2:1 SHEET 2 OF 2 REV F |

## X-ON Electronics

Largest Supplier of Electrical and Electronic Components

*Click to view similar products for [Automotive Connectors](#) category:*

*Click to view products by [TE Connectivity](#) manufacturer:*

Other Similar products are found below :

[003-018-000](#) [60403001](#) [60993906-B](#) [M902-2131](#) [M902-2161](#) [72.330.1035.1](#) [73.353.4028.0](#) [F119300-B](#) [F166900](#) [F258300-B](#) [F358300-B](#)  
[F407400](#) [F444110](#) [F487000](#) [F509500B-B](#) [827153-1](#) [8N1515-32-24P](#) [9-1326729-8](#) [925474-1](#) [928905-1](#) [964562-4](#) [968782-1](#) [GT17SA-8DS-](#)  
[HU](#) [98891-1012](#) [98947-1016](#) [12004147](#) [12004475-L](#) [12010290](#) [12010309-B](#) [12015454](#) [12020219-B](#) [12020308](#) [12041318-B](#) [12052225-L](#)  
[12052466](#) [12059125](#) [12064869](#) [12004327-B](#) [12010503-B](#) [12015308](#) [12015384](#) [12015909](#) [1-21030-1](#) [12041254](#) [12041318](#) [12047946-B](#)  
[12047957](#) [12047957-L](#) [12059473](#) [12066261](#)