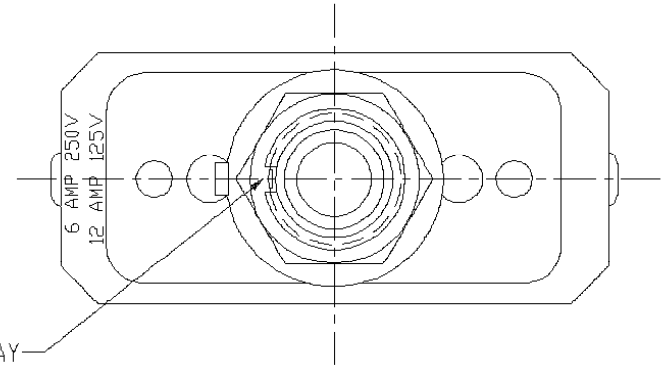
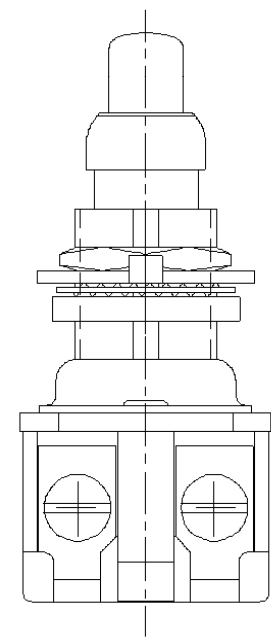


REVISIONS				
P	LTR	DESCRIPTION	DATE	APVD
B		REVISED PER ECR-17-008920	21JUN2017	SK AS

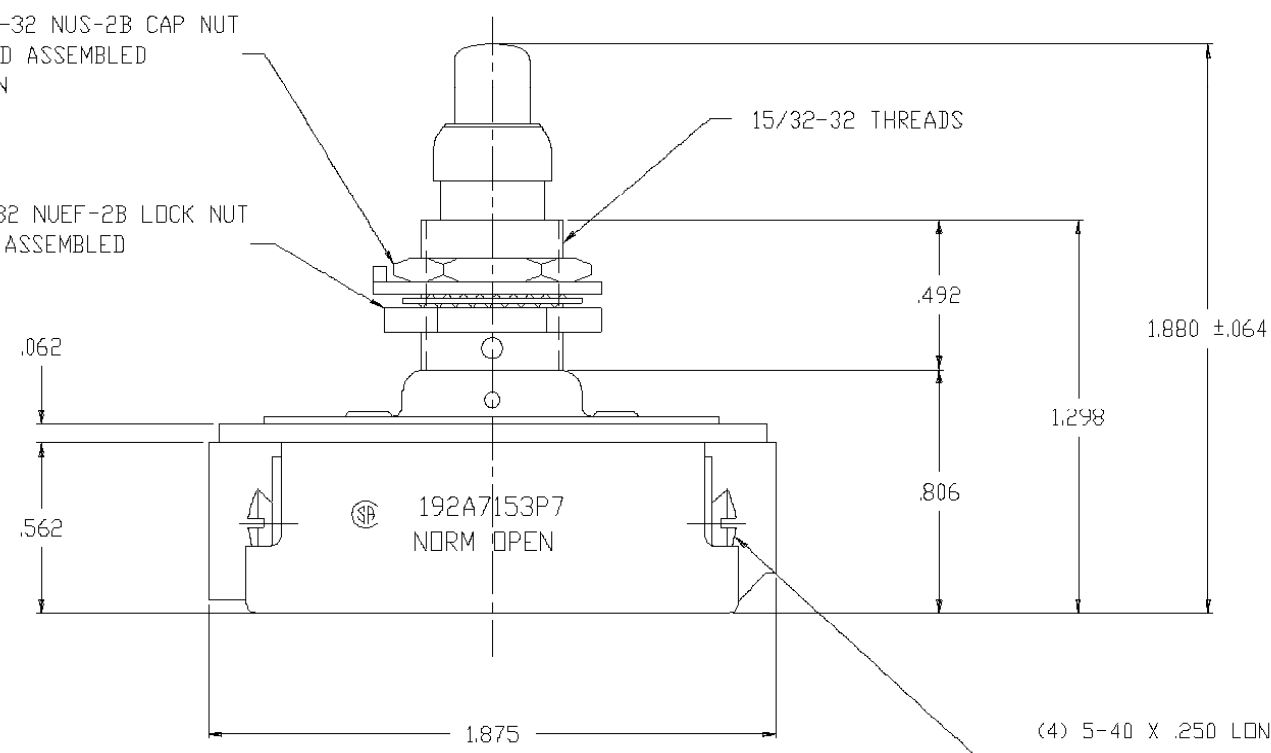


.083 ±.003 X .046 DEEP KEYWAY



15/32-32 NUS-2B CAP NUT
SHIPPED ASSEMBLED
AS SHOWN

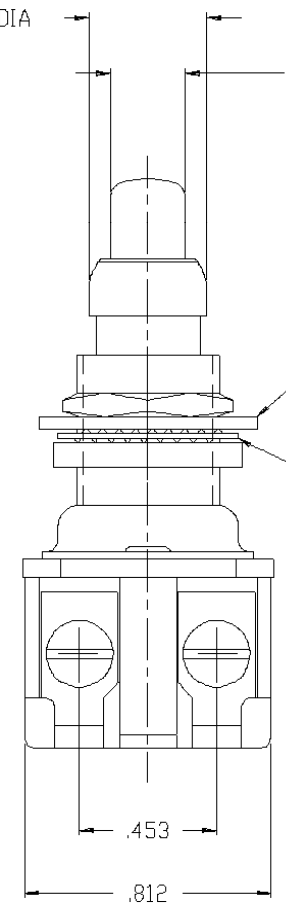
15/32-32 NUF-2B LOCK NUT
SHIPPED ASSEMBLED
AS SHOWN



(4) 5-40 X .250 LONG
UNDERCUT BDG. HD. SCREW
SHIPPED ASSEMBLED

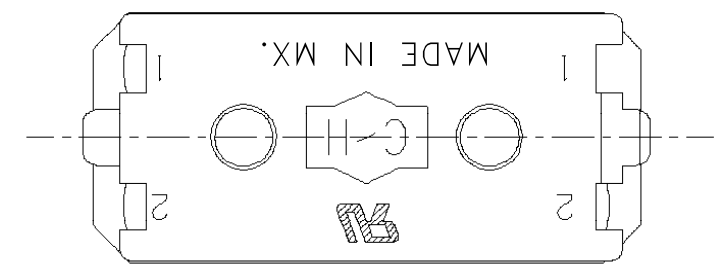
.390 ±.002 DIA

.247 ±.001 DIA



LOCKING RING
SHIPPED ASSEMBLED
AS SHOWN

INTERNAL TOOTH LOCKWASHER
SHIPPED ASSEMBLED
AS SHOWN



1. UNLESS OTHERWISE SPECIFIED ALL TOLERANCE TO BE ±.016.
2. SWITCH ASSEMBLED WITH SYN-TECH NS-5888-G SYNTHETIC GREASE

THIS DRAWING IS A CONTROLLED DOCUMENT.		DWN W. LEONARD 3/30/92		
		CHK WESTEMEIER 4/10/92		
DIMENSIONS: INCHES		APVD M.R. DUMMER 4/14/92	NAME D.P.S.T. MOMENTARY CONTACT PUSH SWITCH W/ OVERTHROW - NORMALLY "OFF"	
		PRODUCT SPEC	SIZE A2	
TOLERANCES UNLESS OTHERWISE SPECIFIED:		APPLICATION SPEC	CAGE CODE 00779	DRAWING NO C-1520143
0 PLC ± -		WEIGHT 0	RESTRICTED TO	
1 PLC ± -		CUSTOMER DRAWING		
2 PLC ± -		SCALE NTS	SHEET 1 of 1	REV B
3 PLC ± -				
4 PLC ± -				
ANGLES ± -				
FINISH -				

X-ON Electronics

Largest Supplier of Electrical and Electronic Components

Click to view similar products for [Pushbutton Switches](#) category:

Click to view products by [TE Connectivity](#) manufacturer:

Other Similar products are found below :

[8940K2012](#) [LW1L-M1C10V-A](#) [LW1L-M1C70-A](#) [LW2L-A1C20M-GD](#) [LW2L-M1C20M-A](#) [60324L](#) [M22-D-R-GB0/K11](#) [M7E-HRN2](#)
[67021K512](#) [67081K512X](#) [701PB580](#) [7199K101](#) [810K12910](#) [810KSV30B](#) [MML21EA2ADK](#) [MML21KA3ABK](#) [MML23KA3AC05K-001](#)
[MML23KW3AA01W](#) [8418K2](#) [8442K3](#) [8450K1](#) [860K11911T01A](#) [861901](#) [861K11911T01A07](#) [861K13810T00A14](#) [861K13911](#)
[8646AB6X718UL](#) [8646ABUL](#) [9001KXRK](#) [907AYY100](#) [PMHD155A1](#) [9533CD4+U574+U4922](#) [95-414.000](#) [99-450.837](#) [99-453.837](#)
[PV3H2B0NN-341](#) [1203MRA](#) [A22NZBGANGA](#) [A22NZBNANGA](#) [A22NZMPATRA](#) [A2PMA1X03EC56](#) [A3A-5123-02](#) [A3A-7140](#) [A3A-7310](#) [A3A-7340](#) [A3U-TMW-A2C-5M](#) [A595](#) [12037A2ULCSA](#) [ABD122N-B](#) [1211390004](#)