



Buchanan | Buchanan 8 Series

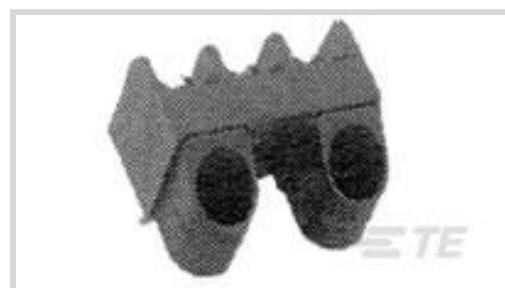
TE Internal #: 2-796615-9

Buchanan 8 Series, Barrier Strips, Tri-Barrier, Printed Circuit Pin, Wire-to-Board, 8 Position, 11.1mm [.438in] Centerline, 1 Row, 600V

Voltage Rating

[View on TE.com >](#)

Connectors > Terminal Blocks & Strips > Barrier Strips



Barrier Strip Style: **Tri-Barrier**

Bottom Termination Type: **Printed Circuit Pin**

Connector System: **Wire-to-Board**

Number of Positions: **8**

Centerline (Pitch): **11.1 mm [.438 in]**

Features

Product Type Features

Product Type	Barrier Strip
Block Style	Open Bottom with Standoffs
Connector System	Wire-to-Board
Connector & Contact Terminates To	Printed Circuit Board

Configuration Features

Number of Levels	1
Number of Positions	8
Number of Rows	1

Electrical Characteristics

Current Rating (Max)	30 A
Voltage Rating	600 V

Body Features

Color	Black
Barrier Strip Style	Tri-Barrier

Contact Features

Terminal Plating Material	Tin
Terminal Material	Copper Alloy
Terminal Plating Finish	Bright



Contact Current Rating (Max)	30 A
------------------------------	------

Termination Features

Bottom Termination Type	Printed Circuit Pin
-------------------------	---------------------

Mechanical Attachment

Mounting Angle	Vertical
----------------	----------

Screw Head Type	Wire Clamp Combo Head
-----------------	-----------------------

Top Termination Type	Wire Clamp Combo Head
----------------------	-----------------------

Mounting Insert	With
-----------------	------

Screw Plating Material	Zinc
------------------------	------

Screw Material	Steel
----------------	-------

Mounting Options	End Mounting Ears
------------------	-------------------

Mounting Bushing	With
------------------	------

Mounting Ears	With
---------------	------

Screw Size	8-32
------------	------

Connector Mounting Type	Board Mount
-------------------------	-------------

Housing Features

Housing Material	Thermoplastic
------------------	---------------

Centerline (Pitch)	11.1 mm [.438 in]
--------------------	-------------------

Dimensions

Length	112.95 mm [4.447 in]
--------	----------------------

Wire Size	.326 – 5.26 mm ²
-----------	-----------------------------

Usage Conditions

Operating Temperature Range	-40 – 120 °C [-40 – 248 °F]
-----------------------------	-----------------------------

Operation/Application

Circuit Application	Power
---------------------	-------

Industry Standards

UL Flammability Rating	UL 94V-0
------------------------	----------

Packaging Features

Packaging Quantity	60
--------------------	----

Packaging Method	Package
------------------	---------

Other



Comment	Do not order screw and captive clamp in combination with other top hardware., Other options available upon request, consult our Product Information Center.
---------	---

Product Compliance

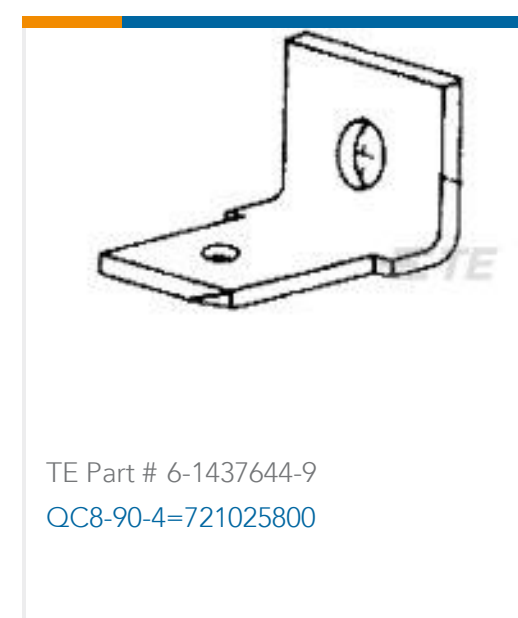
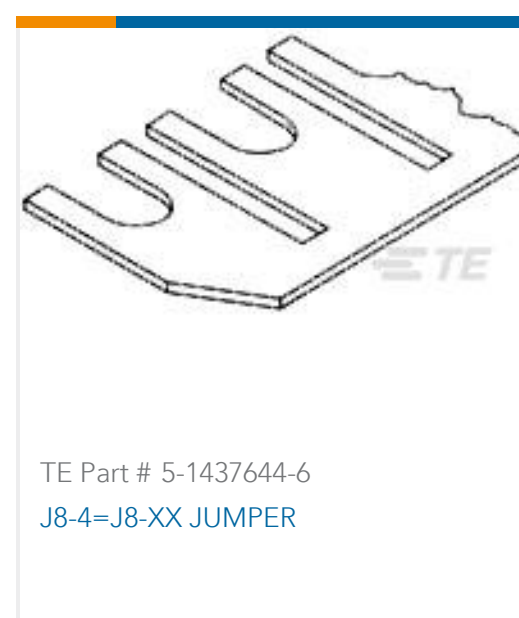
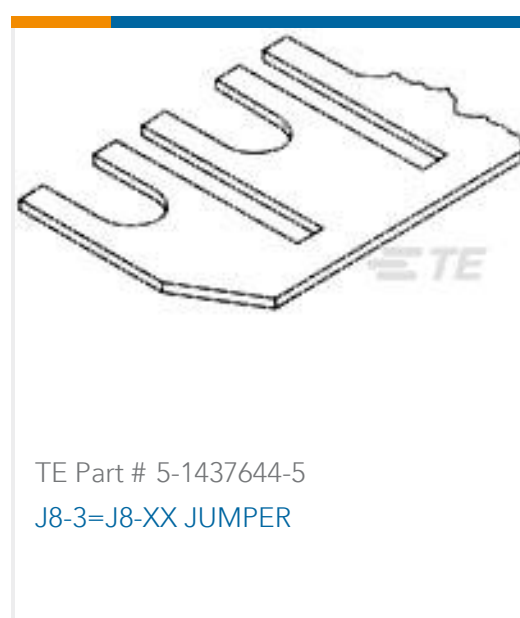
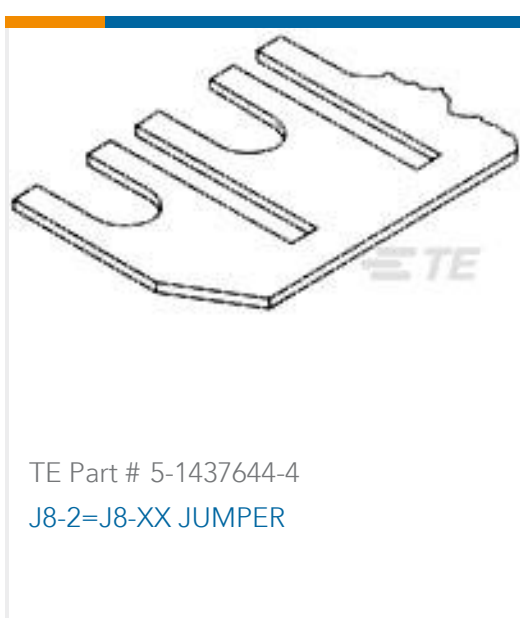
[For compliance documentation, visit the product page on TE.com>](#)

EU RoHS Directive 2011/65/EU	Compliant
EU ELV Directive 2000/53/EC	Not Yet Reviewed
China RoHS 2 Directive MIIT Order No 32, 2016	No Restricted Materials Above Threshold
EU REACH Regulation (EC) No. 1907/2006	Current ECHA Candidate List: JUN 2020 (209) Candidate List Declared Against: JUN 2018 (191) SVHC > Threshold: Not Yet Reviewed
Halogen Content	Low Halogen - Br, Cl, F, I < 900 ppm per homogenous material. Also BFR/CFR/PVC Free
Solder Process Capability	Wave solder capable to 265°C

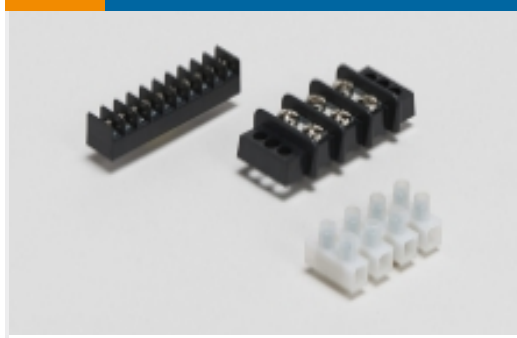
Product Compliance Disclaimer

This information is provided based on reasonable inquiry of our suppliers and represents our current actual knowledge based on the information they provided. This information is subject to change. The part numbers that TE has identified as EU RoHS compliant have a maximum concentration of 0.1% by weight in homogenous materials for lead, hexavalent chromium, mercury, PBB, PBDE, DBP, BBP, DEHP, DIBP, and 0.01% for cadmium, or qualify for an exemption to these limits as defined in the Annexes of Directive 2011/65/EU (RoHS2). Finished electrical and electronic equipment products will be CE marked as required by Directive 2011/65/EU. Components may not be CE marked. Additionally, the part numbers that TE has identified as EU ELV compliant have a maximum concentration of 0.1% by weight in homogenous materials for lead, hexavalent chromium, and mercury, and 0.01% for cadmium, or qualify for an exemption to these limits as defined in the Annexes of Directive 2000/53/EC (ELV). Regarding the REACH Regulation, the information TE provides on SVHC in articles for this part number is based on the latest European Chemicals Agency (ECHA) 'Guidance on requirements for substances in articles' posted at this URL: <https://echa.europa.eu/guidance-documents/guidance-on-reach>

Compatible Parts

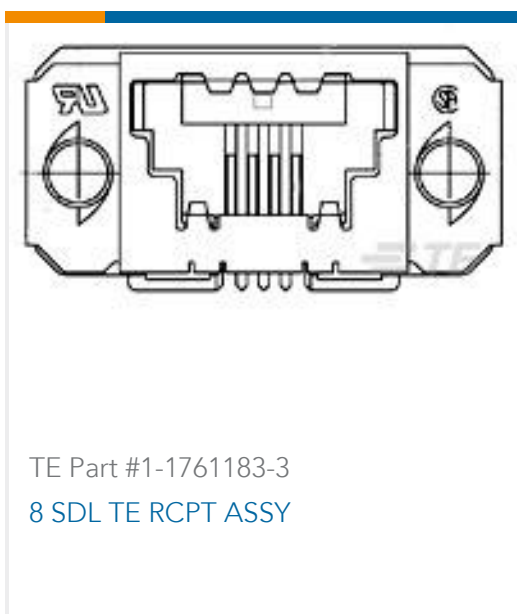


Also in the Series | Buchanan 8 Series



Barrier Strips(145)

Customers Also Bought

TE Part #5-2176328-2
CRGP 1206 180K 1%TE Part #2337228-2
TACT ULTRA JB 3.0X2.6X0.65 160GFTE Part #1-644752-7
17P MTA156 HDR ASSY SQ STR F/LTE Part #3-2176346-2
CRGCQ 1210 150K 5%TE Part #1-1761183-3
8 SDL TE RCPT ASSYTE Part #3-1437667-8
4DB-P108-14=4DB SERIES TERMINATE Part #3-1393118-6
KUP-14D55-110=KUTE Part #7-1437657-1
8PCV-03-008=8PCV ASSEMBLYTE Part #1-1437660-6
8PCV-02-008=BLOCKTE Part #104349-4
06 MODII HDR SRRA B/A W/HLDWN

Documents

Product Drawings

[8PCV-08-008=.4375"#8 SERIES](#)

English

Datasheets & Catalog Pages

[1-1773458-2_BARRIER_STRIPS_QUICK_REFERENCE_GUIDE](#)

English



X-ON Electronics

Largest Supplier of Electrical and Electronic Components

Click to view similar products for [Barrier Terminal Blocks](#) category:

Click to view products by [TE Connectivity](#) manufacturer:

Other Similar products are found below :

[6C1N03](#) [6PCR-02-008](#) [6PCR-05-008](#) [6PCR-08-008](#) [6PCR-21-006](#) [6PCV-06-008](#) [6PCV-10-009](#) [6PCV-15-008](#) [6STR-06-006](#) [6STR-08-006](#)
[6STR-12-008](#) [6STR-14-008](#) [6STR-16-008](#) [6STR-17-008](#) [6STR-21-008](#) [6STR-25-008](#) [6STR-27-008](#) [6STV-03-006](#) [6STV-03-008](#) [6STV-04-006](#) [6STV-10-006](#) [6WWR-03](#) [6WWV-12-008](#) [6WWV-16-008](#) [7-1546701-0](#) [72212603](#) [72503-C](#) [72504-C-50](#) [73203](#) [76007](#) [7604-501LF](#)
[77010-50](#) [796985-3](#) [796988-4](#) [7C1N08](#) [8-1437402-5](#) [8-1437402-7](#) [8-1546158-0](#) [870505](#) [870903](#) [8PCR-06-006](#) [8PCV-02-008](#) [8PCV-05-008](#)
[8PCV-09-006](#) [8PCV-15-006](#) [8PCV-17-006](#) [8QCR-03-008](#) [8STV-04-006](#) [9-1437402-3](#) [A103104](#)