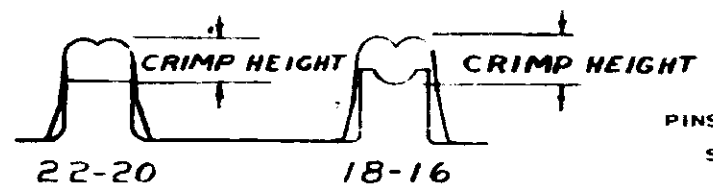
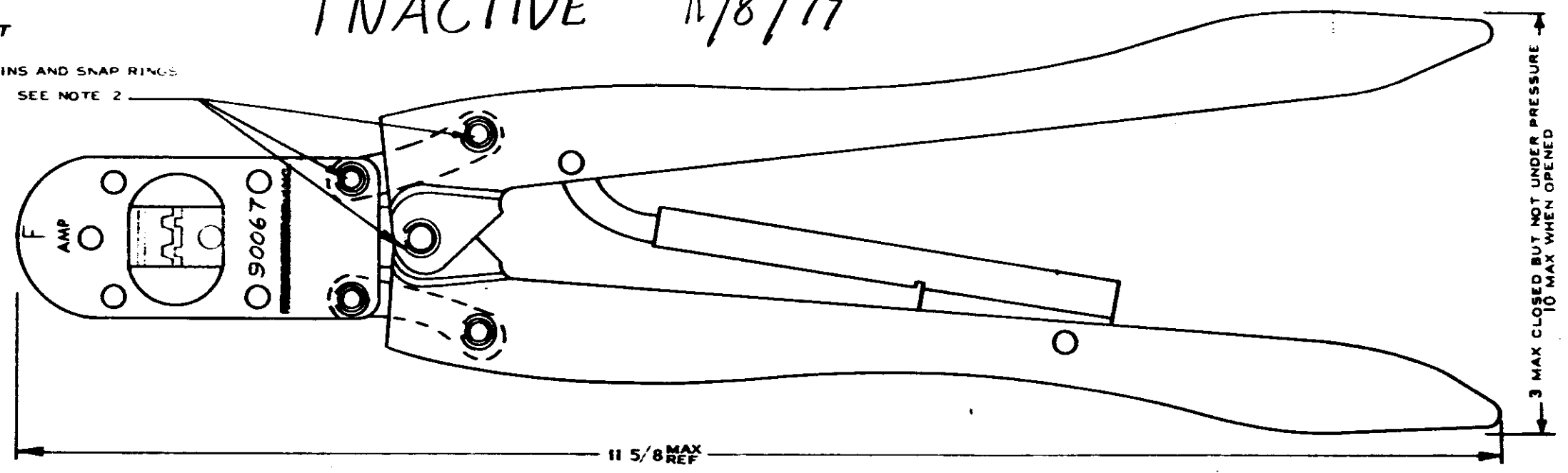


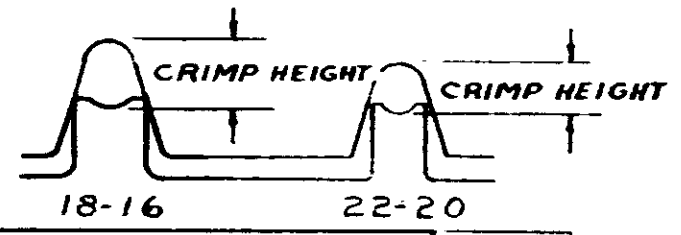
INACTIVE 11/8/77



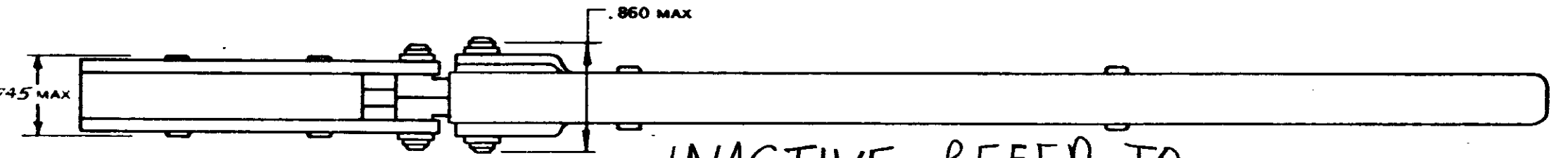
PINS AND SNAP RINGS
SEE NOTE 2



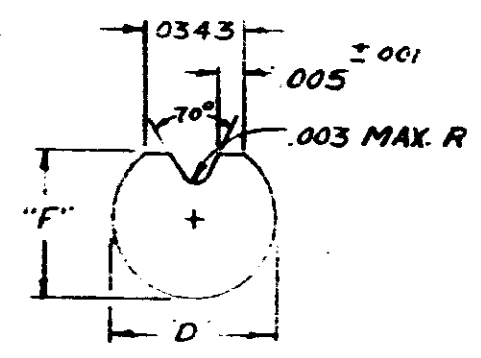
WIRE CRIMP				TERMINAL CRIMP HEIGHT
CRIMP SYMBOL	DIM	GO	NO GO	
22-20	F	0348	0388	0415
	D	0432	0464	0375
18-16	F	0479	0519	0525
	D	0574	0607	0495



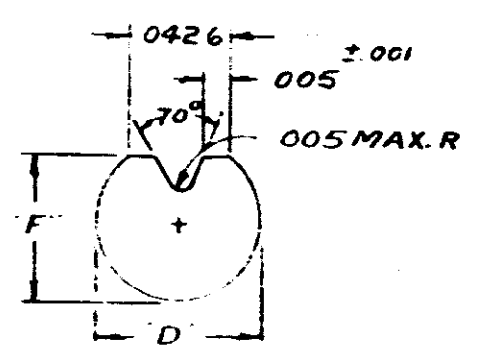
INSULATION CRIMP				TERMINAL CRIMP HEIGHT
CRIMP SYMBOL	DIM	GO	NO GO	
22-20	O	0615	0705	0715
18-16	C	0955	1045	1055



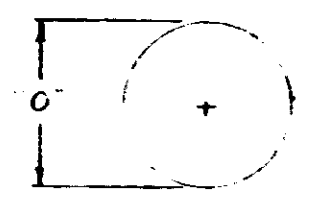
INACTIVE, REFER TO
IS SHEET 7070 11/8/77



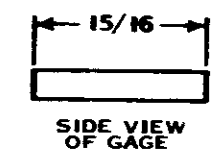
WIRE CRIMP
22-20



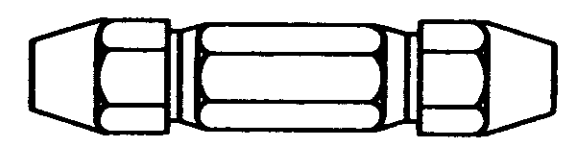
WIRE CRIMP
18-16



INSULATION CRIMPS



SIDE VIEW OF GAGE



DOUBLE END HANDLE A.G.D. STD.

ENLARGED END VIEW OF GAGES

SUGGESTED GAGE DESIGN

INACTIVE

- CRIMP GAGE DIMENSIONS APPLY WHEN TOOL IS CLOSED OR BOTTOMED, BUT NOT UNDER PRESSURE.
- FOR REPLACEMENT OF PARTS SUCH AS PINS AND SNAP RINGS, ORDER REPAIR KIT NO. 12523-3.
- FOR REPLACEMENT OF PARTS OTHER THAN PINS AND SNAP RINGS, TOOL IS TO BE RETURNED TO AMP INC. HARRISBURG, PENNA. TO INSURE PROPER CERTIFIED CRIMP ADJUSTMENT.
- FOR TOOL USAGE, SEE INSTRUCTION SHEET NO. 7070.
- HAND TOOL CAN BE CHECKED BY MEASURING TERMINAL CRIMP HEIGHT.

A1	REVISED PER ECO-11-005294	RK	HMR	07APR 11
LT		DR	CHN	GATE

90067

OR Bylott 1-23-63		MATERIAL AND FINISH H		CUSTOMER COPY REFERENCE ONLY	
CHK Bylott 1-23-63		WIRE RANGE - INSULATION ++ ++		CLASS	
DE Bylott 1-23-63		TOLERANCE EXCEPT AS NOTED H		TYPE	
APP		SCALE H		LOC R	
		NAME STRAIGHT ACTION HAND TOOL		NO C-90067	
				REV A1	

DIMENSIONS IN INCHES DO NOT SCALE PRINT

55

X-ON Electronics

Largest Supplier of Electrical and Electronic Components

Click to view similar products for [Crimpers](#) category:

Click to view products by [TE Connectivity](#) manufacturer:

Other Similar products are found below :

[576771-1](#) [576788-2](#) [576788-3](#) [010-0041](#) [010-0055](#) [010-0096](#) [604228-1](#) [606718-1](#) [M225202-37](#) [CT150-2-D02](#) [CT150-6-RH07](#) [M322](#)
[63484-3701](#) [63800-0140](#) [63800-8355](#) [63811-3275](#) [63811-3376](#) [63811-6375](#) [63811-6475](#) [63811-7875](#) [63811-8875](#) [63819-0475](#) [63819-1177](#)
[63819-1875](#) [63819-4375](#) [63819-4475](#) [63823-3475](#) [63823-5175](#) [63823-6375](#) [63823-8375](#) [63827-5375](#) [64001-0975](#) [64001-2175](#) [64001-4175](#)
[662903-2](#) [679513-1](#) [690141-6](#) [690142-4](#) [690602-6](#) [D38999/20WA98JB-LC](#) [7-22278-0](#) [7-22280-5](#) [7-240641-1](#) [7-240641-3](#) [762637-1](#)
[808714-1](#) [8-1633117-3](#) [91362-1](#) [995-0001-187](#) [999-50-020083](#)