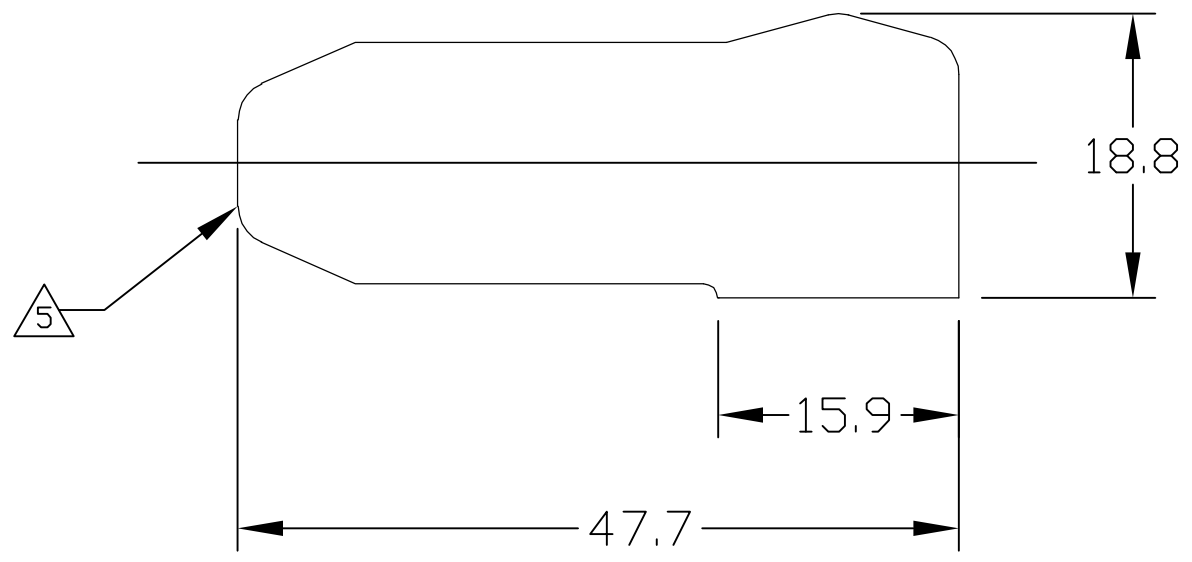
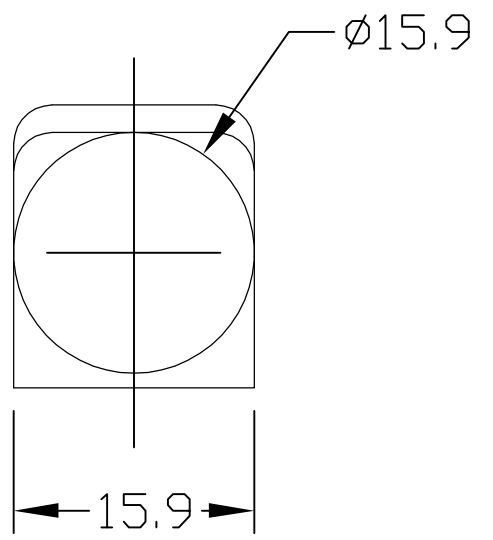


THIS DRAWING IS UNPUBLISHED. RELEASED FOR PUBLICATION
 © COPYRIGHT BY TYCO ELECTRONICS CORPORATION. ALL RIGHTS RESERVED.

LOC	DIST	REVISIONS					
GP	00	P	LTR	DESCRIPTION	DATE	DWN	APVD
			C	REV PER ECO-06-006253	16MAR06	RG	MP



- 5 CABLE ENTRY OF BOOT IS MOULDED SOLID AND CROPPED TO SUIT CABLE USED BY CUSTOMER.
- MATERIAL: ALL COLORS TO BE FIRE RETARDANT GRADE PVC 55 SHORE A, RATED TO UL94V-0. COLORS: SEE TABLE
 - FINISH: GLOSSY, CLEAN WITH NO INTERNAL & EXTERNAL BURRS.
 - ITEMS PROVIDED TO THIS SPECIFICATION SHALL BE IDENTIFIED ON THE CONTAINER WITH THE FOLLOWING INFORMATION: PART NUMBER & DATE CODE OF MANUFACTURE.
 - PART NUMBER CHANGES AND OR DESIGN CHANGES AFFECTING ITEM INTERCHANGEABILITY REQUIRE PRIOR TYCO APPROVAL AND AUTHORIZATION BY REVISION TO THIS DRAWING.

1651003-4	BLUE
1651003-3	GREY
1651003-2	RED
1651003-1	BLACK
TYCO PN	COLOR

THIS DRAWING IS A CONTROLLED DOCUMENT.		DWN	28AUG00		Tyco Electronics Corporation Harrisburg, PA 17105-3608		
DIMENSIONS: mm		CHK	-				
TOLERANCES UNLESS OTHERWISE SPECIFIED:		APVD	25FEB05		INSULATION BOOT		
0 PLC ± -		PRODUCT SPEC	-		SIZE #4 AND #8		
1 PLC ± .50		APPLICATION SPEC	-		SIZE	CAGE CODE	DRAWING NO
2 PLC ± .25		RESTRICTED TO	-		A3	00779	C-1651003
3 PLC ± -		WEIGHT	-		SCALE 1:1 SHEET 1 OF 1 REV C		
4 PLC ± -		CUSTOMER DRAWING					
ANGLES ± .5							
FINISH							
MATERIAL							

ELCON RAPID LOCK

X-ON Electronics

Largest Supplier of Electrical and Electronic Components

Click to view similar products for [Terminals](#) category:

Click to view products by [TE Connectivity](#) manufacturer:

Other Similar products are found below :

[HT-13-10](#) [71M-250-32-NB](#) [01-2065-1-0216](#) [00581P0075](#) [M10-10RX](#) [M10BCK](#) [60205-1](#) [604200-1](#) [60598-1-CUT-TAPE](#) [60617-1-C](#) [60873-1](#) [M14-516R/SK](#) [M14-6RSX](#) [M18-10FLX](#) [M18-8FBX](#) [M18-8R/LX](#) [M18BCK](#) [61314-6-C](#) [61-S](#) [61-SN-A](#) [62-NBM-A](#) [63-S](#) [640179-1](#) [640917-2-CUT-TAPE](#) [6501550002](#) [66107-2-C](#) [696683-1](#) [696834-1](#) [696861-1](#) [696931-1](#) [696999-1](#) [M8-516RK](#) [M86700006](#) [MA250DMFMX-A](#) [701-2007](#) [701-2307](#) [701-7761-03](#) [70F-110-32-PB](#) [718-N-A](#) [71M-187-20-NBL](#) [71M-250-32-NBL](#) [72F-187-20-NBL](#) [72M-250-32-NBL](#) [7310](#) [73F-250-32](#) [73F-250-32-NBL](#) [73F-250-32-NL](#) [F14-10C](#) [F-1M](#) [751-250](#)