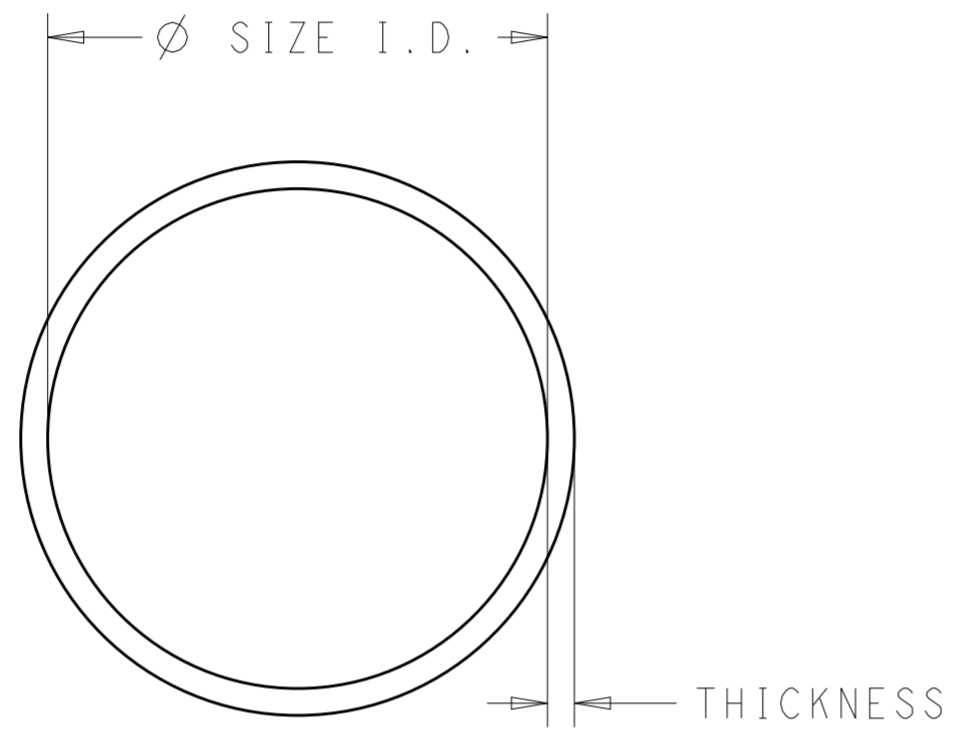


P	LTR	DESCRIPTION	DATE	DWN	APVD
-		NEW RELEASE PER TDRO AA00562	000111		D. D
A		REVISED PER E.O. C7538	090130		E. A.
B		REVISED PER ECO-19-017620	191115	MJG	AR



(B1)

9013-3-****	ØSIZE I.D.	THICKNESS	MATERIAL
9013-3-0101	.614±.009	.070±.003	SILICONE
9013-3-0102	.614±.009	.070±.003	FLUOROSILICONE
9013-3-0201	1.489±.013	.070±.003	SILICONE
9013-3-0202	1.489±.013	.070±.003	FLUOROSILICONE
9013-3-0301	1.614±.013	.070±.003	SILICONE
9013-3-0302	1.614±.013	.070±.003	FLUOROSILICONE
9013-3-0401	1.739±.015	.070±.003	SILICONE
9013-3-0402	1.739±.015	.070±.003	FLUOROSILICONE
9013-3-0502	.676±.009	.070±.003	FLUOROSILICONE
9013-3-0602	1.051±.010	.070±.003	FLUOROSILICONE
9013-3-0702	.801±.009	.070±.003	FLUOROSILICONE
9013-3-0802	1.176±.011	.070±.003	FLUOROSILICONE
9013-3-0902	1.301±.011	.070±.003	FLUOROSILICONE

(B2)

THIS DRAWING IS A CONTROLLED DOCUMENT.		DWN D. DIERICKX 000111	STE TE Connectivity	
DIMENSIONS: in		CHK E. A. 090202		
TOLERANCES UNLESS OTHERWISE SPECIFIED:		APVD A. RENGIFO 090202	NAME O-RING	
0 PLC ±-		PRODUCT SPEC	ENVELOPE	
1 PLC ±.1		APPLICATION SPEC	SIZE	CAGE CODE
2 PLC ±.02		WEIGHT	A2	11139
3 PLC ±.005		CUSTOMER DRAWING	DRAWING NO 9013-3-XXXX	
4 PLC ±.0005		SCALE	2:1	SHEET 1 OF 1
ANGLES ±-		RESTRICTED TO	REV B	
FINISH -				

NOTES: UNLESS OTHERWISE SPECIFIED

X-ON Electronics

Largest Supplier of Electrical and Electronic Components

Click to view similar products for [Circular MIL Spec Connector](#) category:

Click to view products by [TE Connectivity](#) manufacturer:

Other Similar products are found below :

[0025-262-542](#) [0025-264-3014](#) [58-570121-04S](#) [0134-202-1200](#) [0134-207-1206](#) [0134-207-1800](#) [0134-207-2207](#) [0134-213-0806](#) [0134-213-1007](#) [0134-213-1009](#) [0134-213-1208](#) [0134-213-1800](#) [0134-213-2209](#) [0025-258-000](#) [015-9516-002](#) [60-042217-10P](#) [60-042722-19P](#) [0114-201-1278](#) [602GB06EG24-61SN](#) [0134-201-1207](#) [0134-201-1806](#) [0134-201-2006](#) [0134-201-2007](#) [0134-201-2010](#) [0134-202-1400](#) [0134-207-0809](#) [0134-207-1208](#) [0134-207-2009](#) [0134-213-1006](#) [6104-207-2302](#) [6104-208-1902](#) [6104-215-0902](#) [6131-202-19149P](#) [6131-204-21149P](#) [6131-207-13149P](#) [6131-208-13149P](#) [6131-209-17149P](#) [6131-210-11149P](#) [6131-211-19149P](#) [6131-216-19149P](#) [6131-220-25149P](#) [6131-259-11149P](#) [6131-259-21149P](#) [6131-259-23149P](#) [6131-263-19149P](#) [6131-265-17149P](#) [6131-265-19149P](#) [CS3102A-20-15P](#) [CS3102A-20-15S](#) [CS3102A-28-15S](#)