

90760-2 ✓ ACTIVE

AMP

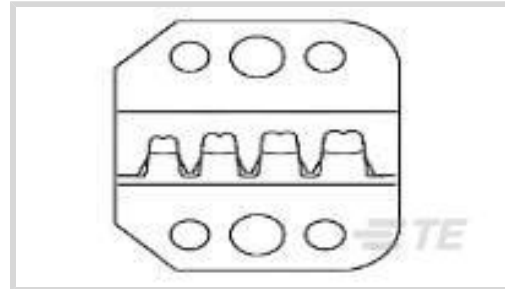
TE Internal #: 90760-2

Portable Crimp Tools, Commercial Crimp Tooling, Operator Releasable & Adjustable, Removable/Interchangeable, TE Product Specification (114-)

[View on TE.com >](#)



Application Tooling > Portable Crimp Tools



Tool Grade: **Commercial Crimp Tooling**

Ratchet Configuration: **Operator Releasable & Adjustable**

Die Sets Type: **Removable/Interchangeable**

Specification Type: **TE Product Specification (114-)**

TE Certification: **Upon Request for Fee**

Features

Other

Crimp Form-Wire Barrel Type	Open Barrel - F Crimp
Tool Grade	Commercial Crimp Tooling
Ratchet Configuration	Operator Releasable & Adjustable
Die Sets Type	Removable/Interchangeable
Specification Type	TE Product Specification (114-)
TE Certification	Upon Request for Fee
Power Technology Type	Battery, Electric, Manual
Tooling Type	Standard Die Envelope (SDE) Die Set

Product Compliance

[For compliance documentation, visit the product page on TE.com>](#)

EU RoHS Directive 2011/65/EU	Out of Scope
EU ELV Directive 2000/53/EC	Out of Scope
China RoHS 2 Directive MIIT Order No 32, 2016	Not reviewed for China RoHS compliance
EU REACH Regulation (EC) No. 1907/2006	Current ECHA Candidate List: JAN 2021 (211) Candidate List Declared Against: JAN 2021 (211) Does not contain REACH SVHC
Halogen Content	Not Yet Reviewed for halogen content



Solder Process Capability

Not applicable for solder process capability

Product Compliance Disclaimer

This information is provided based on reasonable inquiry of our suppliers and represents our current actual knowledge based on the information they provided. This information is subject to change. The part numbers that TE has identified as EU RoHS compliant have a maximum concentration of 0.1% by weight in homogenous materials for lead, hexavalent chromium, mercury, PBB, PBDE, DBP, BBP, DEHP, DIBP, and 0.01% for cadmium, or qualify for an exemption to these limits as defined in the Annexes of Directive 2011/65/EU (RoHS2). Finished electrical and electronic equipment products will be CE marked as required by Directive 2011/65/EU. Components may not be CE marked. Additionally, the part numbers that TE has identified as EU ELV compliant have a maximum concentration of 0.1% by weight in homogenous materials for lead, hexavalent chromium, and mercury, and 0.01% for cadmium, or qualify for an exemption to these limits as defined in the Annexes of Directive 2000/53/EC (ELV). Regarding the REACH Regulation, the information TE provides on SVHC in articles for this part number is based on the latest European Chemicals Agency (ECHA) 'Guidance on requirements for substances in articles' posted at this URL: <https://echa.europa.eu/guidance-documents/guidance-on-reach>

Compatible Parts



TE Part # 2280380-1
KIT, BT, MICRO SDE, 110V



TE Part # 1-794407-1
MINI UMNL SOK 20-16 AWG AU LF



TE Part # 171638-1
MINI U-M-N-L PIN CONT. LP



TE Part # 171639-1
MINI U-M-N-L SOCKET LP



TE Part # 1-794407-0
MINI UMNL SOK 20-16 AWG AU LF



TE Part # 794406-3
MINI UMNL CONT 20-16AWG AU



TE Part # 794407-1
MINI UNML SCKT 20-16 AWG SN



TE Part # 794406-1
MINI UMNL CONT 20-16AWG SN



TE Part # 171636-1
MINI U-M-N-L PIN CONTACT



TE Part # 171637-1
MINI U-M-N-L SOCKET CONTACT



TE Part # 794407-4
MINI UNML SCKT 20-16 AWG SN



TE Part # 1-794406-0
MINI UMNL SOK 20-16 AWG AU LF




TE Part # 2280380-2
KIT, BT, MICRO SDE, 220V



TE Part # 794407-6
MINI UNML SCKT 20-16 AWG AU

TE Part # 171637-2
MINI U-M-N-L SOCKET CONT AS

TE Part # 794406-2
MINI UMNL CONT 20-16AWG UNPL

TE Part # 794407-2
MINI UNML SCKT 20-16AWG UNPLTD

TE Part # 794407-5
MINI UNML SCKT 20-16AWG UNPLTD

TE Part # 794407-7
MINI UNML SCKT CONT STRIP SN

TE Part # 794407-8
MINI UNML SCKT CONT STRIP UNPL

Customers Also Bought



TE Part #189727-1
EXTRACTION TOOL



TE Part #171822-3
EIS REC. HSG 3P-NATURAL



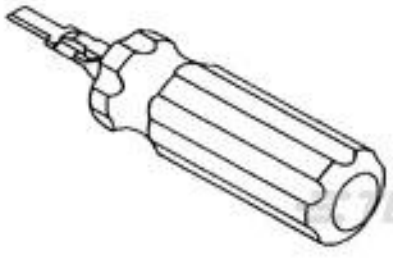
TE Part #140760-2
250 FASTON, REC., 22-18 AWG, TPPB



TE Part #171636-1
MINI U-M-N-L PIN CONTACT



TE Part #171637-1
MINI U-M-N-L SOCKET CONTACT




TE Part #937313-1
EXT-TOOL



TE Part #1-480699-0
02P UMNL CAP HSG NATL



TE Part #170021-1
SHUR PLUG RECEPTACLE 20-16 AWG TPBR



TE Part #1437382-6
70=300/600V JUMPER (PKGD)

Documents



Datasheets & Catalog Pages

[1-1773865-2_1015_Commercial Manual Hand Tools](#)

English

[Crimp Term Whitepaper-Use the Right Tool 1-1773953-1](#)

English

[CRIMPING WHERE FORM MEETS FUNCTION](#)

English

[Bottoming Dies](#)

English

Instruction Sheets

[Instruction Sheet \(U.S.\)](#)

English

[Instruction Sheet \(U.S.\)](#)

English

[PRO-CRIMPER II Hand Tool Assembly 90760-1 w/Die Assembly 90760-2](#)

English

X-ON Electronics

Largest Supplier of Electrical and Electronic Components

Click to view similar products for [Punches & Dies](#) category:

Click to view products by [TE Connectivity](#) manufacturer:

Other Similar products are found below :

[58510-1](#) [63454-1601](#) [63457-0056](#) [63457-3401](#) [730-5/8](#) [730BB-1-3/8](#) [PV-670508-001](#) [1328](#) [1338](#) [13782656](#) [13782673](#) [13782686](#) [AR-24](#)
[1528-TL](#) [1583609-1](#) [1720](#) [1762951-1](#) [2063500-2](#) [19031-0168](#) [AR-20](#) [CD5-8](#) [313336-3](#) [11-19-3122](#) [539663-1](#) [63446-2241](#) [TL-18](#)
[0634451912](#) [1762674-1](#) [63454-0123](#) [68240-1](#) [68247-1](#) [734252](#) [313183-1](#) [PA2029](#) [119174-001](#) [23846-1](#) [11-40-5342](#) [68010-2](#) [690370015](#)
[730BB-1-1/8](#) [730BB-1-1/16](#) [19032-0048](#) [63465-0023](#) [11-40-4438](#) [63457-0041](#) [2906252-01](#) [19032-0202](#) [11-11-0054](#) [11-11-0052](#) [19813-](#)
[5041](#)