



**A-MP\* EXTRACTION TOOL**  
**CATALOG NO. 91017-3**  
**FOR AMP-TAB\* MALE (TAB) TERMINALS**

<b>IS 7233</b>	
RELEASED	8-6-65
REVISED	

CONNECTOR PRODUCTS DIVISION

1. This Tool (see Figure 1) is used to extract AMP-TAB Male (Tab) Terminals from AMP-TAB Quad (4-Tab) Connectors. Read these instructions carefully before using the Tool.

**2. EXTRACTION PROCEDURE**

(a) Insert Releasing Tip into back (wire-entry side) of Connector as shown in Figure 2. Make sure that Releasing Tip and Guide Tip straddle Receptacle Contact and that Releasing Tip is closest to the Tab Terminal to be extracted.

(b) Push Tool into Cavity so Releasing Tip is parallel with Tab Terminal. See Figure 3. When Tool is bottomed in Cavity, align Tool Handle so it is parallel with Tab Terminal. See Figure 3.

(c) With Tool still aligned as in Para. (b), pull back on Tool and Wire at the same time to remove Tab Terminal.

NOTE: To remove Terminals crimped to small or slippery Wire, press Wire against embossments on Handle before removing Terminal.

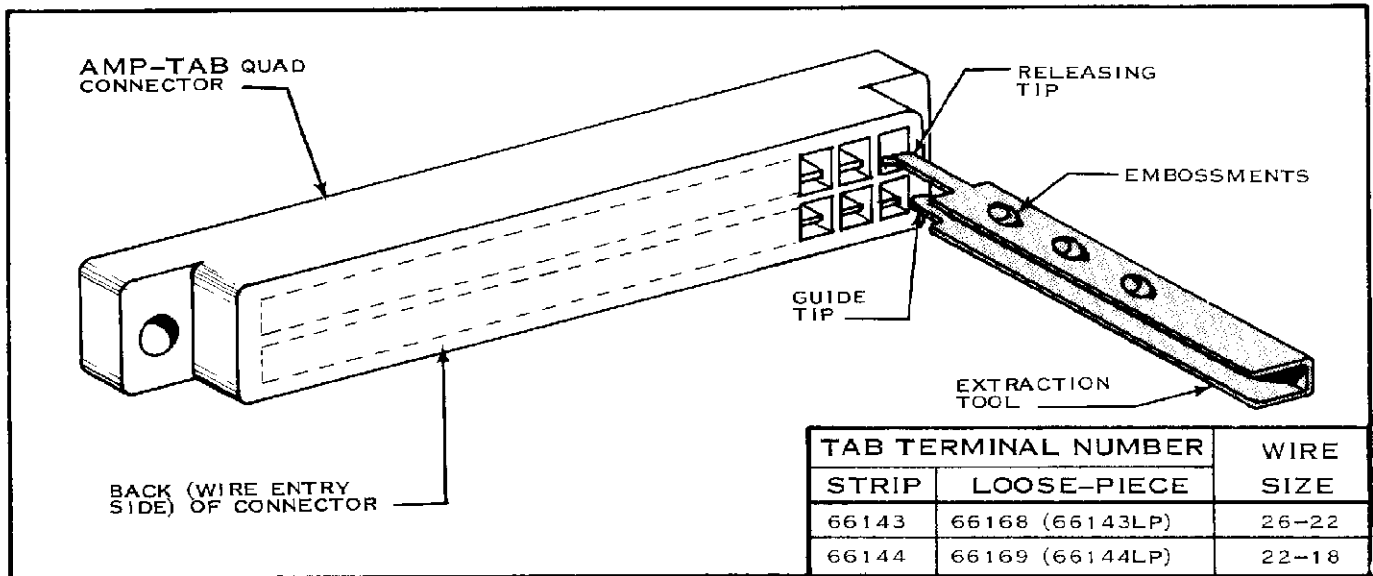


FIG. 1

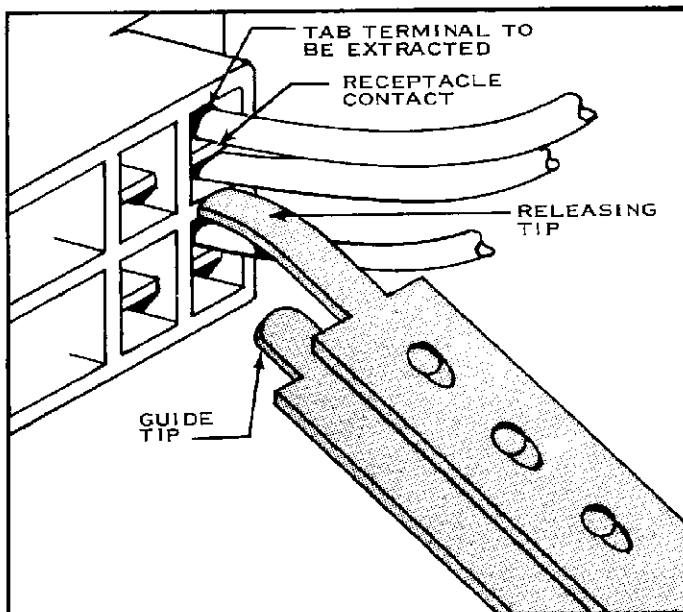


FIG. 2

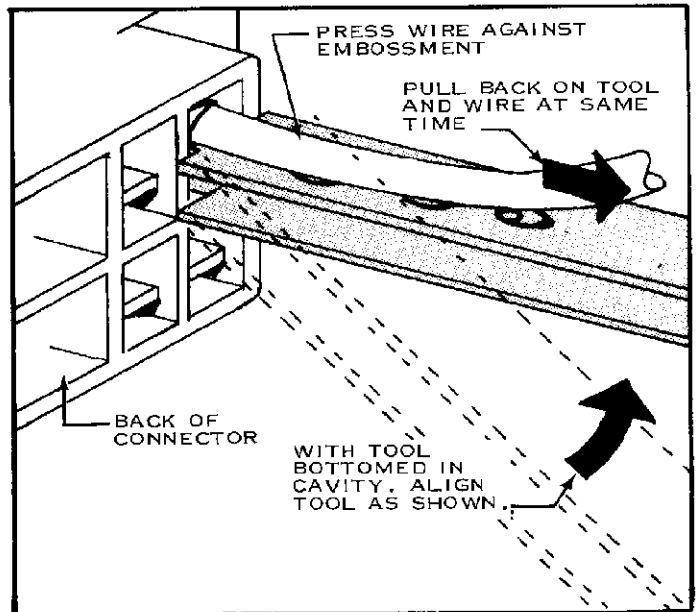


FIG. 3

© 1965 by AMP Incorporated. All international rights reserved. A-MP products covered by U. S. and foreign patents and/or patents pending.

## X-ON Electronics

Largest Supplier of Electrical and Electronic Components

*Click to view similar products for [Extraction, Removal & Insertion Tools](#) category:*

*Click to view products by [TE Connectivity](#) manufacturer:*

Other Similar products are found below :

[M8196914-08](#) [768211-2](#) [809-131](#) [844751-2](#) [8-59558-2](#) [91018-1](#) [12014013](#) [12093647](#) [1-21048-0](#) [R282867020](#) [12093078](#) [1-21048-6](#)  
[12121897](#) [DCF.91.405.5LT](#) [1322](#) [15314260](#) [15313892](#) [15350698](#) [15350707](#) [15430130](#) [1579018-4](#) [1643916-1](#) [1-679532-0](#) [1976593-3](#)  
[OUTEXT-0321](#) [2-1579008-3](#) [2-1579008-4](#) [229694-7](#) [231106-1](#) [241469](#) [91040-3](#) [91040-7](#) [965004-000](#) [965069-000](#) [1738219-1](#) [ET-JL05-16](#)  
[FG 0300 146 3000](#) [FIT-6](#) [210S048](#) [2-1579007-9](#) [231879-1](#) [312138-3](#) [RJ11FODE](#) [356-162](#) [M8196914-10](#) [4-1579018-0](#) [430395-001](#) [483249-](#)  
[1](#) [5-1579007-2](#) [5-1579007-9](#)