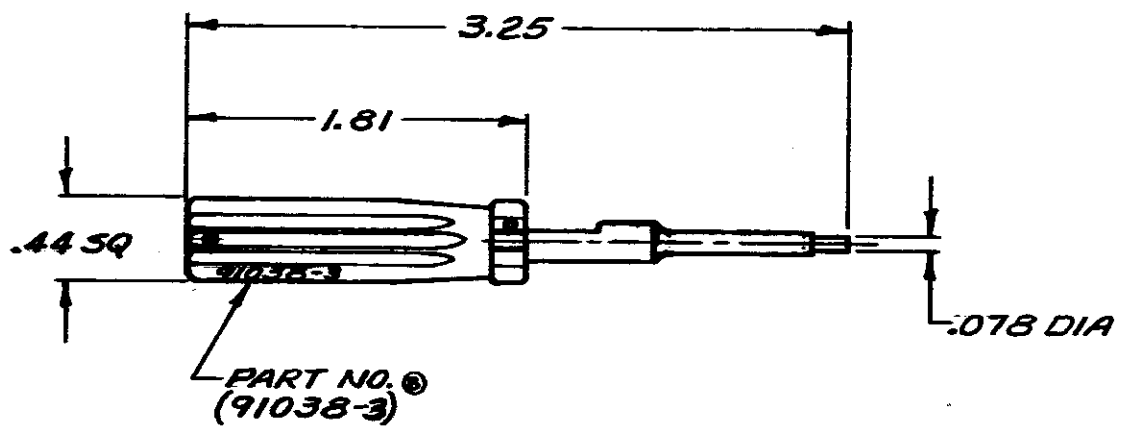


NUMBER
91038



FOR TOOL USAGE SEE INSTRUCTION SHEET 15 7357

DIMENSIONS IN INCHES. DO NOT SCALE PRINT.

36

				© 1968 BY AMP INCORPORATED. ALL RIGHTS RESERVED. AMP PRODUCTS COVERED BY PATENTS AND/OR PATENTS PENDING.		CUSTOMER COPY REFERENCE ONLY		
MATERIAL AND FINISH				AMP INCORPORATED HARRISBURG, PENNSA.				
PLASTIC STEEL BLACK OXIDE WT: 1 OZ				CLASS — # —				
WIRE — RANGE — INSULATION				TYPE TYPE XI				
— # — — # —								
REVISION RECORD			DR	CHK	DATE	LOC	NO	REV
A Rev. For ECN HT600			DR	CHK	DATE	M	A	91038
B Rev. For ECN HT665			DR	CHK	DATE			B-1
C Rev. For ECN HT665			DR	CHK	DATE			
D Rev. For ECN HT665			DR	CHK	DATE			
E Rev. For ECN HT665			DR	CHK	DATE			
F Rev. For ECN HT665			DR	CHK	DATE			
G Rev. For ECN HT665			DR	CHK	DATE			
H Rev. For ECN HT665			DR	CHK	DATE			
I Rev. For ECN HT665			DR	CHK	DATE			
J Rev. For ECN HT665			DR	CHK	DATE			
K Rev. For ECN HT665			DR	CHK	DATE			
L Rev. For ECN HT665			DR	CHK	DATE			
M Rev. For ECN HT665			DR	CHK	DATE			
N Rev. For ECN HT665			DR	CHK	DATE			
O Rev. For ECN HT665			DR	CHK	DATE			
P Rev. For ECN HT665			DR	CHK	DATE			
Q Rev. For ECN HT665			DR	CHK	DATE			
R Rev. For ECN HT665			DR	CHK	DATE			
S Rev. For ECN HT665			DR	CHK	DATE			
T Rev. For ECN HT665			DR	CHK	DATE			
U Rev. For ECN HT665			DR	CHK	DATE			
V Rev. For ECN HT665			DR	CHK	DATE			
W Rev. For ECN HT665			DR	CHK	DATE			
X Rev. For ECN HT665			DR	CHK	DATE			
Y Rev. For ECN HT665			DR	CHK	DATE			
Z Rev. For ECN HT665			DR	CHK	DATE			
AA Rev. For ECN HT665			DR	CHK	DATE			
AB Rev. For ECN HT665			DR	CHK	DATE			
AC Rev. For ECN HT665			DR	CHK	DATE			
AD Rev. For ECN HT665			DR	CHK	DATE			
AE Rev. For ECN HT665			DR	CHK	DATE			
AF Rev. For ECN HT665			DR	CHK	DATE			
AG Rev. For ECN HT665			DR	CHK	DATE			
AH Rev. For ECN HT665			DR	CHK	DATE			
AI Rev. For ECN HT665			DR	CHK	DATE			
AJ Rev. For ECN HT665			DR	CHK	DATE			
AK Rev. For ECN HT665			DR	CHK	DATE			
AL Rev. For ECN HT665			DR	CHK	DATE			
AM Rev. For ECN HT665			DR	CHK	DATE			
AN Rev. For ECN HT665			DR	CHK	DATE			
AO Rev. For ECN HT665			DR	CHK	DATE			
AP Rev. For ECN HT665			DR	CHK	DATE			
AQ Rev. For ECN HT665			DR	CHK	DATE			
AR Rev. For ECN HT665			DR	CHK	DATE			
AS Rev. For ECN HT665			DR	CHK	DATE			
AT Rev. For ECN HT665			DR	CHK	DATE			
AU Rev. For ECN HT665			DR	CHK	DATE			
AV Rev. For ECN HT665			DR	CHK	DATE			
AW Rev. For ECN HT665			DR	CHK	DATE			
AX Rev. For ECN HT665			DR	CHK	DATE			
AY Rev. For ECN HT665			DR	CHK	DATE			
AZ Rev. For ECN HT665			DR	CHK	DATE			
BA Rev. For ECN HT665			DR	CHK	DATE			
BB Rev. For ECN HT665			DR	CHK	DATE			
BC Rev. For ECN HT665			DR	CHK	DATE			
BD Rev. For ECN HT665			DR	CHK	DATE			
BE Rev. For ECN HT665			DR	CHK	DATE			
BF Rev. For ECN HT665			DR	CHK	DATE			
BG Rev. For ECN HT665			DR	CHK	DATE			
BH Rev. For ECN HT665			DR	CHK	DATE			
BI Rev. For ECN HT665			DR	CHK	DATE			
BJ Rev. For ECN HT665			DR	CHK	DATE			
BK Rev. For ECN HT665			DR	CHK	DATE			
BL Rev. For ECN HT665			DR	CHK	DATE			
BM Rev. For ECN HT665			DR	CHK	DATE			
BN Rev. For ECN HT665			DR	CHK	DATE			
BO Rev. For ECN HT665			DR	CHK	DATE			
BP Rev. For ECN HT665			DR	CHK	DATE			
BQ Rev. For ECN HT665			DR	CHK	DATE			
BR Rev. For ECN HT665			DR	CHK	DATE			
BS Rev. For ECN HT665			DR	CHK	DATE			
BT Rev. For ECN HT665			DR	CHK	DATE			
BU Rev. For ECN HT665			DR	CHK	DATE			
BV Rev. For ECN HT665			DR	CHK	DATE			
BW Rev. For ECN HT665			DR	CHK	DATE			
BX Rev. For ECN HT665			DR	CHK	DATE			
BY Rev. For ECN HT665			DR	CHK	DATE			
BZ Rev. For ECN HT665			DR	CHK	DATE			
CA Rev. For ECN HT665			DR	CHK	DATE			
CB Rev. For ECN HT665			DR	CHK	DATE			
CC Rev. For ECN HT665			DR	CHK	DATE			
CD Rev. For ECN HT665			DR	CHK	DATE			
CE Rev. For ECN HT665			DR	CHK	DATE			
CF Rev. For ECN HT665			DR	CHK	DATE			
CG Rev. For ECN HT665			DR	CHK	DATE			
CH Rev. For ECN HT665			DR	CHK	DATE			
CI Rev. For ECN HT665			DR	CHK	DATE			
CJ Rev. For ECN HT665			DR	CHK	DATE			
CK Rev. For ECN HT665			DR	CHK	DATE			
CL Rev. For ECN HT665			DR	CHK	DATE			
CM Rev. For ECN HT665			DR	CHK	DATE			
CN Rev. For ECN HT665			DR	CHK	DATE			
CO Rev. For ECN HT665			DR	CHK	DATE			
CP Rev. For ECN HT665			DR	CHK	DATE			
CQ Rev. For ECN HT665			DR	CHK	DATE			
CR Rev. For ECN HT665			DR	CHK	DATE			
CS Rev. For ECN HT665			DR	CHK	DATE			
CT Rev. For ECN HT665			DR	CHK	DATE			
CU Rev. For ECN HT665			DR	CHK	DATE			
CV Rev. For ECN HT665			DR	CHK	DATE			
CW Rev. For ECN HT665			DR	CHK	DATE			
CX Rev. For ECN HT665			DR	CHK	DATE			
CY Rev. For ECN HT665			DR	CHK	DATE			
CZ Rev. For ECN HT665			DR	CHK	DATE			
DA Rev. For ECN HT665			DR	CHK	DATE			
DB Rev. For ECN HT665			DR	CHK	DATE			
DC Rev. For ECN HT665			DR	CHK	DATE			
DD Rev. For ECN HT665			DR	CHK	DATE			
DE Rev. For ECN HT665			DR	CHK	DATE			
DF Rev. For ECN HT665			DR	CHK	DATE			
DG Rev. For ECN HT665			DR	CHK	DATE			
DH Rev. For ECN HT665			DR	CHK	DATE			
DI Rev. For ECN HT665			DR	CHK	DATE			
DJ Rev. For ECN HT665			DR	CHK	DATE			
DK Rev. For ECN HT665			DR	CHK	DATE			
DL Rev. For ECN HT665			DR	CHK	DATE			
DM Rev. For ECN HT665			DR	CHK	DATE			
DN Rev. For ECN HT665			DR	CHK	DATE			
DO Rev. For ECN HT665			DR	CHK	DATE			
DP Rev. For ECN HT665			DR	CHK	DATE			
DQ Rev. For ECN HT665			DR	CHK	DATE			
DR Rev. For ECN HT665			DR	CHK	DATE			
DS Rev. For ECN HT665			DR	CHK	DATE			
DT Rev. For ECN HT665			DR	CHK	DATE			
DU Rev. For ECN HT665			DR	CHK	DATE			
DV Rev. For ECN HT665			DR	CHK	DATE			
DW Rev. For ECN HT665			DR	CHK	DATE			
DX Rev. For ECN HT665			DR	CHK	DATE			
DY Rev. For ECN HT665			DR	CHK	DATE			
DZ Rev. For ECN HT665			DR	CHK	DATE			
EA Rev. For ECN HT665			DR	CHK	DATE			
EB Rev. For ECN HT665			DR	CHK	DATE			
EC Rev. For ECN HT665			DR	CHK	DATE			
ED Rev. For ECN HT665			DR	CHK	DATE			
EE Rev. For ECN HT665			DR	CHK	DATE			
EF Rev. For ECN HT665			DR	CHK	DATE			
EG Rev. For ECN HT665			DR	CHK	DATE			
EH Rev. For ECN HT665			DR	CHK	DATE			
EI Rev. For ECN HT665			DR	CHK	DATE			
EJ Rev. For ECN HT665			DR	CHK	DATE			
EK Rev. For ECN HT665			DR	CHK	DATE			
EL Rev. For ECN HT665			DR	CHK	DATE			
EM Rev. For ECN HT665			DR	CHK	DATE			
EN Rev. For ECN HT665			DR	CHK	DATE			
EO Rev. For ECN HT665			DR	CHK	DATE			
EP Rev. For ECN HT665			DR	CHK	DATE			
EQ Rev. For ECN HT665			DR	CHK	DATE			
ER Rev. For ECN HT665			DR	CHK	DATE			
ES Rev. For ECN HT665			DR	CHK	DATE			
ET Rev. For ECN HT665			DR	CHK	DATE			
EU Rev. For ECN HT665			DR	CHK	DATE			
EV Rev. For ECN HT665			DR	CHK	DATE			
EW Rev. For ECN HT665			DR	CHK	DATE			
EX Rev. For ECN HT665			DR	CHK	DATE			
EY Rev. For ECN HT665			DR	CHK	DATE			
EZ Rev. For ECN HT665			DR	CHK	DATE			
FA Rev. For ECN HT665			DR	CHK	DATE			
FB Rev. For ECN HT665			DR	CHK	DATE			
FC Rev. For ECN HT665			DR	CHK	DATE			
FD Rev. For ECN HT665			DR	CHK	DATE			
FE Rev. For ECN HT665			DR	CHK	DATE			
FF Rev. For ECN HT665			DR	CHK	DATE			
FG Rev. For ECN HT665			DR	CHK	DATE			
FH Rev. For ECN HT665			DR	CHK	DATE			
FI Rev. For ECN HT665			DR	CHK	DATE			
FJ Rev. For ECN HT665			DR	CHK	DATE			
FK Rev. For ECN HT665			DR	CHK	DATE			
FL Rev. For ECN HT665			DR	CHK	DATE			
FM Rev. For ECN HT665			DR	CHK	DATE			
FN Rev. For ECN HT665			DR	CHK	DATE			
FO Rev. For ECN HT665			DR	CHK	DATE			
FP Rev. For ECN HT665			DR	CHK	DATE			
FQ Rev. For ECN HT665			DR	CHK	DATE			
FR Rev. For ECN HT665			DR	CHK	DATE			
FS Rev. For ECN HT665			DR	CHK	DATE			
FT Rev. For ECN HT665			DR	CHK	DATE			
FU Rev. For ECN HT665			DR	CHK	DATE			
FV Rev. For ECN HT665			DR	CHK	DATE			
FW Rev. For ECN HT665			DR	CHK	DATE			
FX Rev. For ECN HT665			DR	CHK	DATE			
FY Rev. For ECN HT665			DR	CHK	DATE			
FZ Rev. For ECN HT665			DR	CHK	DATE			
GA Rev. For ECN HT665			DR	CHK	DATE			
GB Rev. For ECN HT665			DR	CHK	DATE			
GC Rev. For ECN HT665			DR	CHK	DATE			
GD Rev. For ECN HT665			DR	CHK	DATE			
GE Rev. For ECN HT665			DR	CHK	DATE			
GF Rev. For ECN HT665			DR	CHK	DATE			

X-ON Electronics

Largest Supplier of Electrical and Electronic Components

Click to view similar products for [Extraction, Removal & Insertion Tools](#) category:

Click to view products by [TE Connectivity](#) manufacturer:

Other Similar products are found below :

[M8196914-08](#) [768211-2](#) [809-131](#) [844751-2](#) [8-59558-2](#) [91018-1](#) [12014013](#) [12093647](#) [1-21048-0](#) [R282867020](#) [12093078](#) [1-21048-6](#)
[12121897](#) [DCF.91.405.5LT](#) [1322](#) [15314260](#) [15350698](#) [15350707](#) [15430130](#) [1579018-4](#) [1643916-1](#) [1-679532-0](#) [1976593-3](#) [OUTEXT-0321](#)
[2-1579008-3](#) [2-1579008-4](#) [229694-7](#) [231106-1](#) [241469](#) [91040-3](#) [91040-7](#) [965004-000](#) [965069-000](#) [1738219-1](#) [ET-JL05-16](#) [FG 0300 146](#)
[3000](#) [FIT-6](#) [210S048](#) [2-1579007-9](#) [231879-1](#) [312138-3](#) [RJ11FODE](#) [356-162](#) [M8196914-10](#) [4-1579018-0](#) [430395-001](#) [483249-1](#) [5-](#)
[1579007-2](#) [5-1579007-9](#) [BPR10](#)