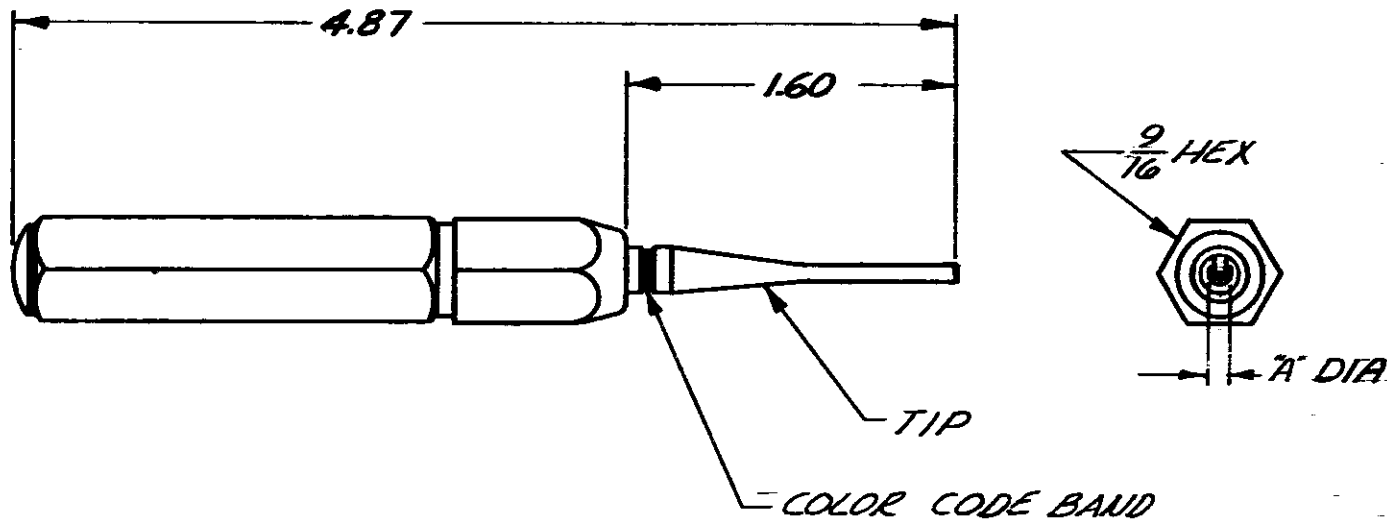


NUMBER
91039

S



TOOL NUMBER	TIP NUMBER	SIZE	COLOR CODE	A DIA
91039-1	126117-1	SUB 20	GREEN	.105
91039-3	126117-3	SIZE 16	BLUE	.144
91039-4	126117-4	SIZE 12	YELLOW	.189

NOTE:

1. FOR CORRECT TOOL USAGE SEE INSTRUCTION SHEET IS 737

Unpublished copyright is reproduced for publication without written permission of AMP Incorporated

DIMENSIONS IN INCHES. DO NOT SCALE PRINT.

AMP INCORPORATED, ALL RIGHTS RESERVED. AMP PRODUCTS COVERED BY PATENTS AND/OR PATENTS PENDING.

CUSTOMER COPY REFERENCE ONLY

B	Loc M WAS R	PK	-	3/4/69
C	GREEN WAS RED & GREEN SUB 20 WAS SUB 20	PK	D	4/1/69
B	1.60 WAS 1.72 / 4.87 WAS 5.00 GREEN WAS WHITE	PK	D	8/1/68
A	5.00 WAS 5.25 1.72 WAS 2.00	PK	D	3/4/69

MATERIAL AND FINISH
AL & STEEL
ANODIZED

AMP AMP INCORPORATED
HARRISBURG, PENNA.

WIRE — RANGE — INSULATION
— H — — H —

TYPE TYPE IX PIN & SOCKET

DE	Hall	4/1/68
CHK	8/16/68	8/16/68

LOC M A NO 91039 REV C1
SCALE 1:1
NAME TOOL-INSERTION

X-ON Electronics

Largest Supplier of Electrical and Electronic Components

Click to view similar products for [Extraction, Removal & Insertion Tools](#) category:

Click to view products by [TE Connectivity](#) manufacturer:

Other Similar products are found below :

[M8196914-08](#) [768211-2](#) [809-131](#) [844751-2](#) [8-59558-2](#) [91018-1](#) [12014013](#) [12093647](#) [1-21048-0](#) [R282867020](#) [12093078](#) [1-21048-6](#)
[12121897](#) [DCF.91.405.5LT](#) [1322](#) [15314260](#) [15313892](#) [15350698](#) [15350707](#) [15430130](#) [1579018-4](#) [1643916-1](#) [1-679532-0](#) [1976593-3](#)
[OUTEXT-0321](#) [2-1579008-3](#) [2-1579008-4](#) [229694-7](#) [231106-1](#) [241469](#) [91040-3](#) [91040-7](#) [965004-000](#) [965069-000](#) [1738219-1](#) [ET-JL05-16](#)
[FG 0300 146 3000](#) [FIT-6](#) [210S048](#) [2-1579007-9](#) [231879-1](#) [312138-3](#) [RJ11FODE](#) [356-162](#) [M8196914-10](#) [4-1579018-0](#) [430395-001](#) [483249-](#)
[1](#) [5-1579007-2](#) [5-1579007-9](#)