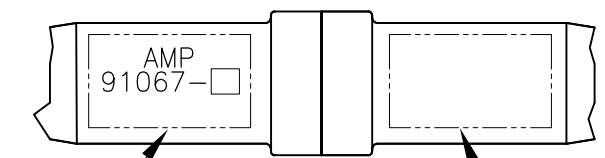
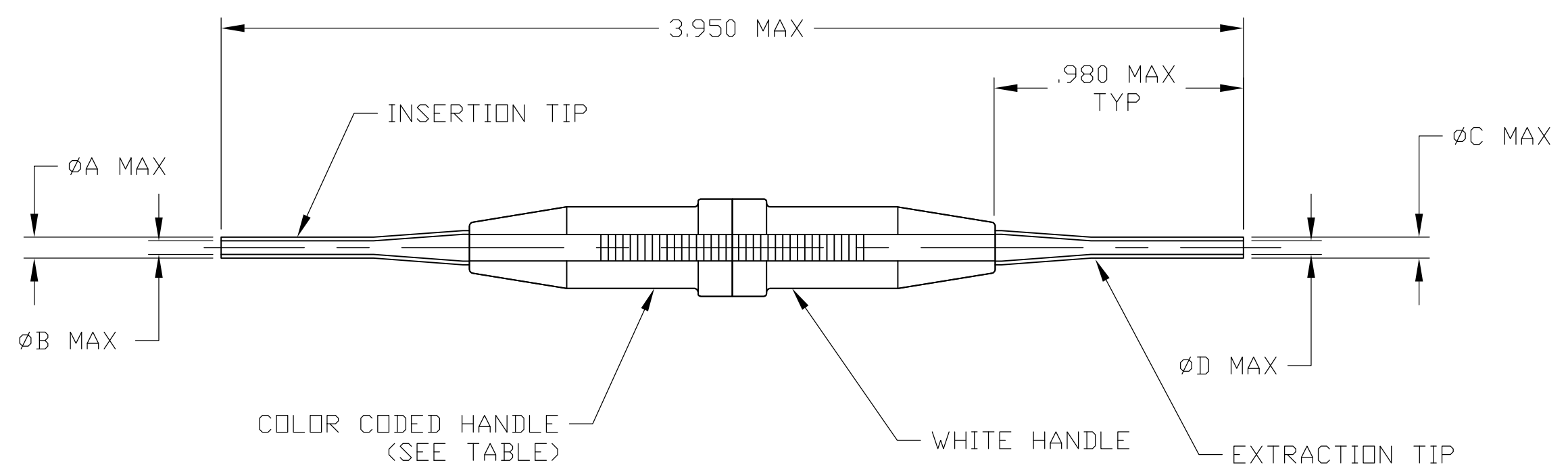


THIS DRAWING IS UNPUBLISHED. RELEASED FOR PUBLICATION N/A ,N/A .  
 © COPYRIGHT N/A By - ALL RIGHTS RESERVED.

LOC	DIST	REVISIONS					
DF	AO	P	LTR	DESCRIPTION	DATE	DWN	APVD
		E1		REVISED PER ECO-11-005030	11MAR11	RK	HMR



MARKING IN APPROX. AREA AS SHOWN REF

M81969-SQ BLOCK SYMBOL

1. FOR CORRECT TOOL USAGE SEE INSTRUCTION SHEET: I. S. 408-7508

M81969/1-02	.072	.087	.072	.085	RED	20	91067-2
M81969/1-04	.053	.065	.056	.065	GREEN	22	91067-1
MILITARY PART NO. REF	DIM D	DIM C	DIM B	DIM A	COLOR CODE	SIZE	PART NUMBER

THIS DRAWING IS A CONTROLLED DOCUMENT.

DIMENSIONS: INCHES	TOLERANCES UNLESS OTHERWISE SPECIFIED:
	0 PLC ± -
	1 PLC ± -
	2 PLC ± -
	3 PLC ± -
	4 PLC ± -
	ANGLES ± -
MATERIAL: PLASTIC & STEEL	FINISH: NICKEL PLATED

DWN: C.C.THOMAS	08AUG2002
CHK: S.GLATFELTER	8-12-02
APVD: S.GLATFELTER	8-12-02
PRODUCT SPEC	
APPLICATION SPEC	
WEIGHT	-

**STE** TE Connectivity

NAME: INSERTION/EXTRACTION TOOL

SIZE: A3	CAGE CODE: 00779	DRAWING NO: C-91067	RESTRICTED TO: -
----------	------------------	---------------------	------------------

CUSTOMER DRAWING SCALE: 2:1 SHEET: 1 OF 1 REV: E1

## X-ON Electronics

Largest Supplier of Electrical and Electronic Components

*Click to view similar products for [Extraction, Removal & Insertion Tools](#) category:*

*Click to view products by [TE Connectivity](#) manufacturer:*

Other Similar products are found below :

[M8196914-08](#) [768211-2](#) [809-131](#) [844751-2](#) [8-59558-2](#) [91018-1](#) [12014013](#) [12093647](#) [1-21048-0](#) [R282867020](#) [12093078](#) [1-21048-6](#)  
[12121897](#) [DCF.91.405.5LT](#) [1322](#) [15314260](#) [15350698](#) [15350707](#) [15430130](#) [1579018-4](#) [1643916-1](#) [1-679532-0](#) [1976593-3](#) [OUTEXT-0321](#)  
[2-1579008-3](#) [2-1579008-4](#) [229694-7](#) [231106-1](#) [241469](#) [91040-3](#) [91040-7](#) [965004-000](#) [965069-000](#) [1738219-1](#) [ET-JL05-16](#) [FG 0300 146](#)  
[3000](#) [FIT-6](#) [210S048](#) [2-1579007-9](#) [231879-1](#) [312138-3](#) [RJ11FODE](#) [356-162](#) [M8196914-10](#) [4-1579018-0](#) [430395-001](#) [483249-1](#) [5-](#)  
[1579007-2](#) [5-1579007-9](#) [BPR10](#)