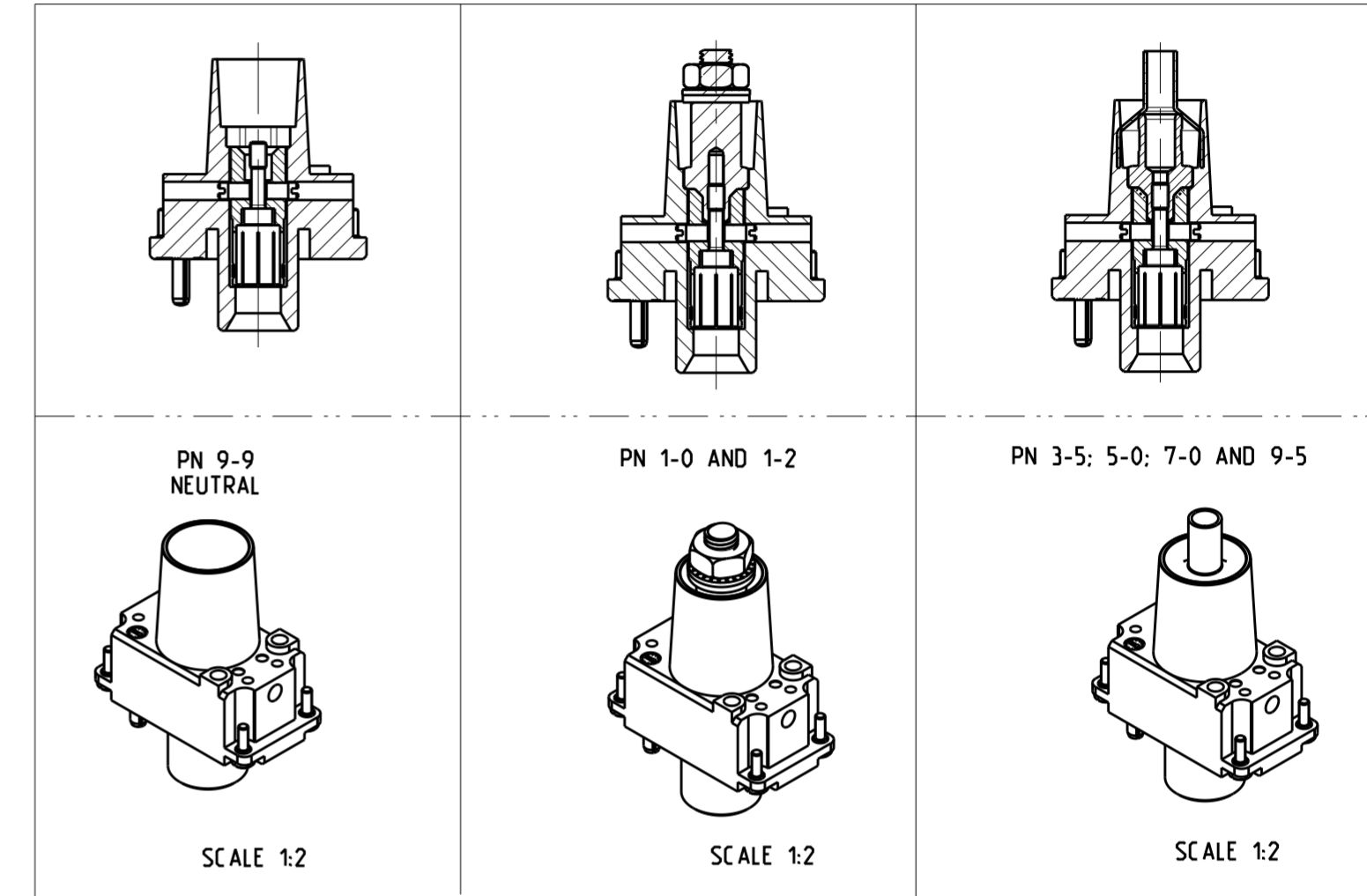
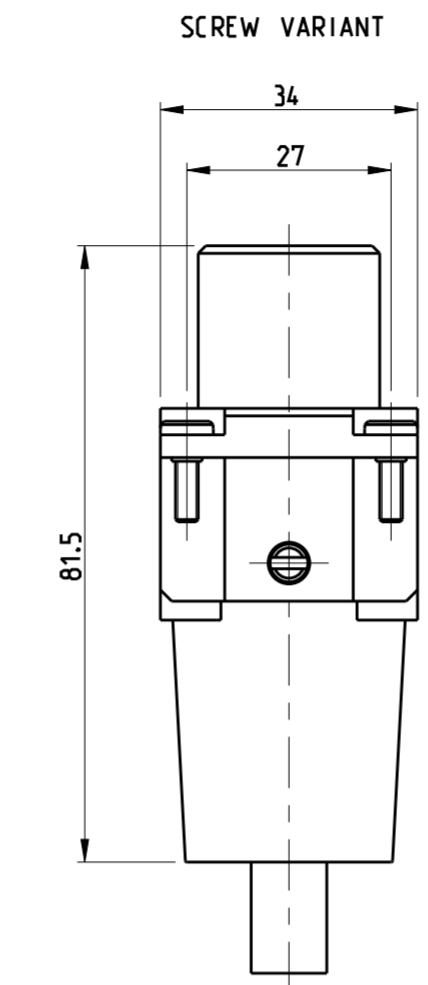
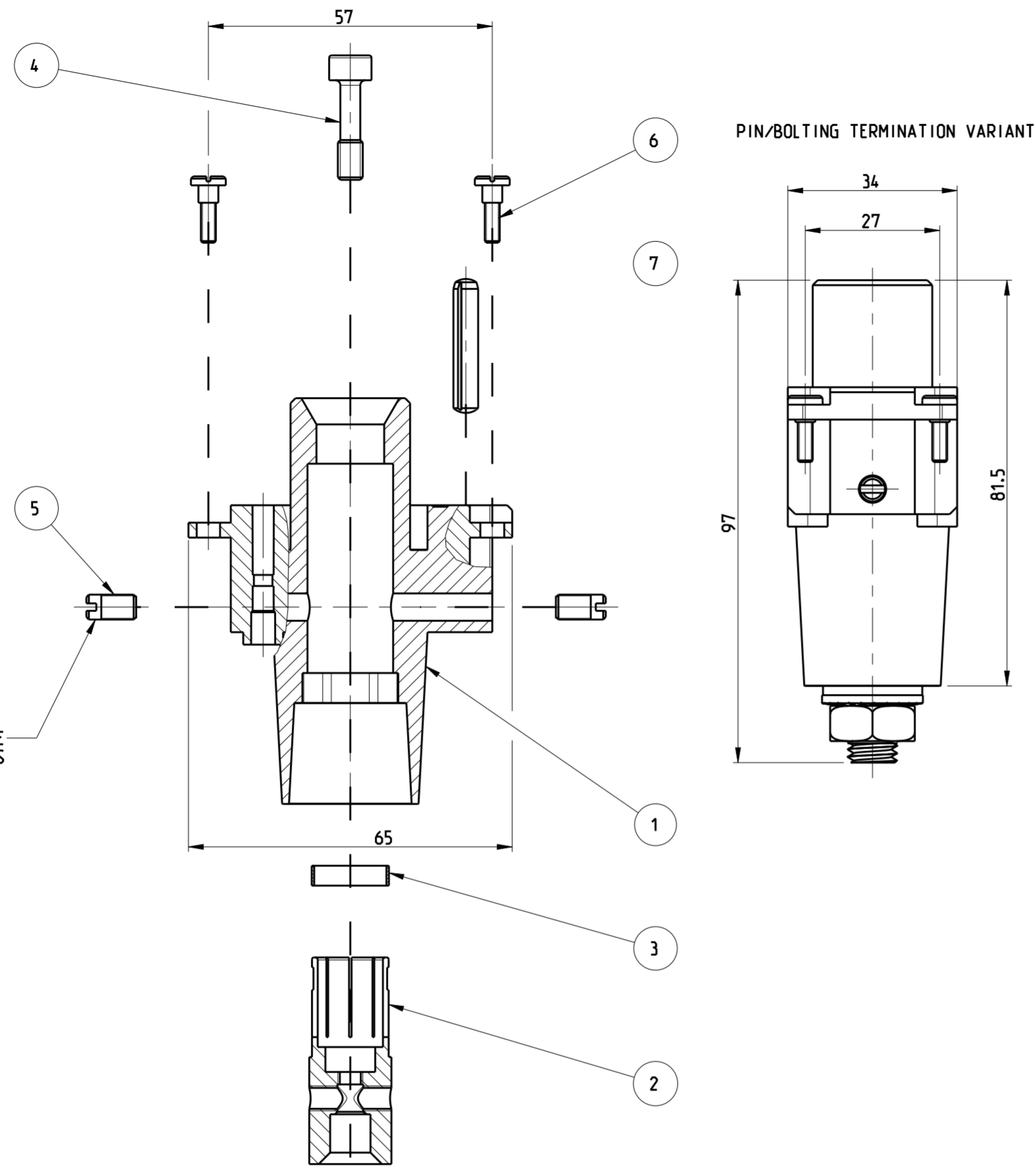


THIS DRAWING IS UNPUBLISHED. RELEASED FOR PUBLICATION 1997
 (C) COPYRIGHT 1997 ALL RIGHTS RESERVED.

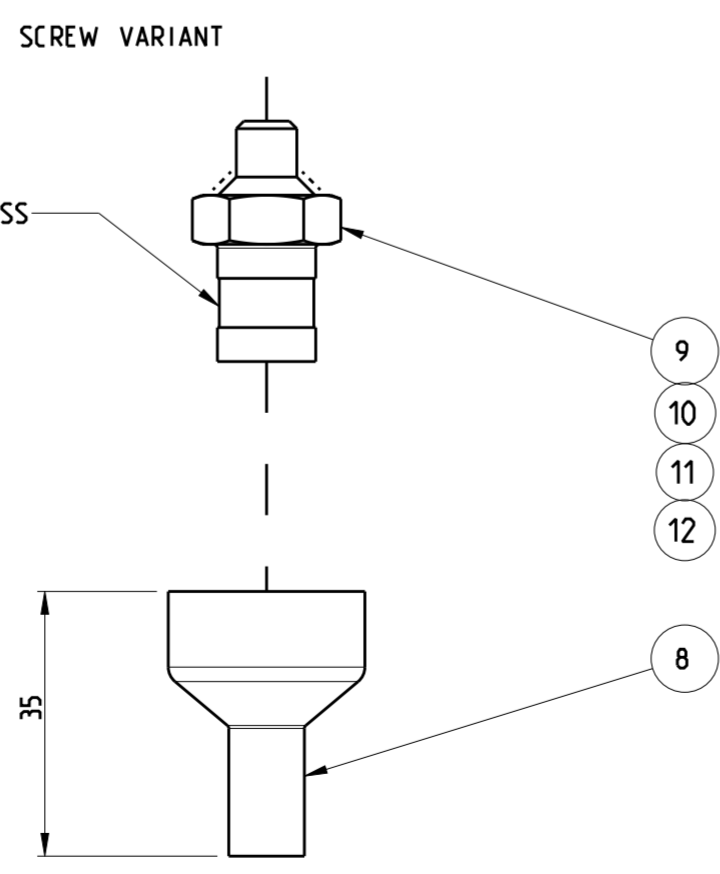
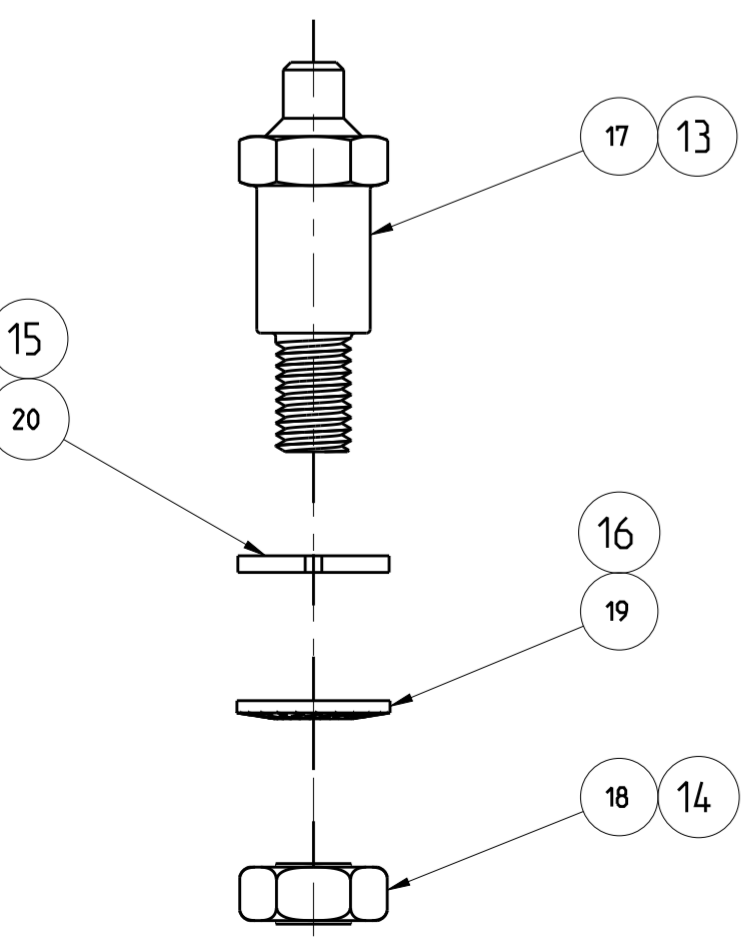
LOC	DIST	REVISIONS			
P	LTR	DESCRIPTION	DATE	DWN	APVD
A1	-	B6	ECR-16-009338	08DEC2016	GCM MKO

- NOTES:
- PIN/BOLT VARIANT: POS.4 FITTED WITH POS.17 BOLTING AND POS.14, 15 AND 16 MOUNTED ON BOLT TERMINATION
 - SCREW VARIANT: POS.4 OF FITTED WITH POS.9 BOLTING POS.6, 7 AND 8 IN POLY BAG PACKING
 - PACKAGING QUANTITY: 5 PIECES IN A CARTON BOX
 - OBsolete PARTS: OBSOLETE CIS STREAMLINING PER D.RENAUD/D.SINISI



WITH LOCTITE SECURE SCREW POS.4 MUST BE ABLE TO PASS

PIN/BOLTING TERMINATION VARIANT



QTY	DESCRIPTION	MATERIAL	ITEM NO	SURFACE	COLOR	REMARKS
1	WASHER, PLAIN	BRASS	20	SILVERED		DIN 125
1	WASHER	STEEL	19	SILVERED		SKS10
1	NUT M10	MILD STEEL	18	SILVERED		DIN EN 28673
1	BOLT TERMINATION FOR SOCKET CONTACT AG	CuZn39Pb2	17	SILVERED		
-	WASHER	STEEL	16	SILVERED		SKS12
-	WASHER, PLAIN	BRASS	15	SILVERED		DIN 125
-	NUT M12	MILD STEEL	14	SILVERED		DIN EN 28673
-	BOLT TERMINATION FOR SOCKET CONTACT AG	CuZn39Pb2	13	SILVERED		
-	BARREL 95mm2	CuTeP(2.1546)	12	SILVERED		
-	BARREL 70mm2	CuTeP(2.1546)	11	SILVERED		
-	BARREL 50mm2	CuTeP(2.1546)	10	SILVERED		
-	BARREL 35mm2	CuTeP(2.1546)	9	SILVERED		
-	SHRINKABLE TUBE	POLYOLEFIN	8		BLACK	35mm
2	Grooved pins / Rivet pins	STAINL.STEEL	7	BLANK		DIN EN 28740
4	SCREW, SLOTTED PAN HEAD	STAINL.STEEL	6	BLANK		DIN 923
2	SCREW M5	STAINLESS STEEL	5	BLANK		DIN 427
1	SCREW, HEX. SOCKET HEAD CAP	STAINL.STEEL	4	BLANK		SIMILARLY DIN EN ISO 4762
1	ROUND SPRING	STAINL.STEEL	3	BLANK		
1	SOCKET CONTACT FOR AG	Cu Sn 8	2	SILVERED		
1	FEMALE INSERT AG	PA66 (Ultramid A3x3G5)	1			

QTY	DESCRIPTION	ITEM NO	SURFACE	COLOR	REMARKS
9-9	AM-1P-360-35.AG.Bu.C				
1-0	AM-1P-360-50.AG.Bu.C				
1-2	AM-1P-360-70.AG.Bu.C				
9-5	AM-1P-360-95.AG.Bu.C				
7-0	AM-1P-360.Bu-AG.M12				
5-0	AM-1P-360.Bu-AG.M10				
3-5	AM-1P-360.Bu-AG				

THIS DRAWING IS A CONTROLLED DOCUMENT.

DWN Kramer 24.11.97
 CHK Schweiger 24.11.97
 APVD -

PRODUCT SPEC 108-74021
 APPLICATION SPEC 114-74023
 WEIGHT ca. 180g

NAME ASSEMBLY SOCKET INSERT AG AM-4P/13
 SIZE CAGE CODE DRAWING NO RESTRICTED TO
 A2 00779 C-1110028 -

CUSTOMER DRAWING SCALE 1:1 SHEET 1 OF 1 REV B6

X-ON Electronics

Largest Supplier of Electrical and Electronic Components

Click to view similar products for [TE Connectivity](#) manufacturer:

Other Similar products are found below :

[D38999/24FJ4AN](#) [570416-000](#) [CLTEQ-M81CE-SSRELAY-4-20V](#) [4-1195131-0](#) [650069-000](#) [SMD100-2](#) [358838-000](#) [CB-1022B-78](#)
[RM707012](#) [RP410012](#) [MMS42](#) [1-640426-8](#) [2EDL4CM](#) [DTS20W19-11PD-3028-LC](#) [RM202615](#) [NC6-P104-06](#) [MSPS103B](#) [DTS26F21-](#)
[41HE-LC](#) [DTS26F21-41AE](#) [DTS26F21-41PE-LC](#) [DTS26F21-11SE-3028-LC](#) [30DCB6](#) [1932144-1](#) [293545-4](#) [LVR125S](#) [MS27466T25F4PB](#)
[CKB-38-78010](#) [TR04AI-TINELLOCKRING](#) [1206SFF150F/63-2](#) [D38999/20JB35HA](#) [TE1500A2R2J](#) [D38999/20WC8BB](#) [DTS24F19-11SC-](#)
[3028-LC](#) [D38999/24WG11HA](#) [D38999/24WG11HN](#) [MS27467T21F11H](#) [DJT16E21-11HA](#) [MS27467T21F35J](#) [MS27467T21F11J](#)
[MS27467T21F16H-LC](#) [MS27467T21F35H](#) [MS27467T21F41H-LC](#) [1206SFH150F/24-2](#) [RP330024](#) [DJT16E21-11PA-LC](#) [DJT16E21-11HA-](#)
[LC](#) [DJT16E21-11AA](#) [MS27467T21B11JA](#) [DJT16E21-11JA](#) [MS27467T21B11JA-LC](#)