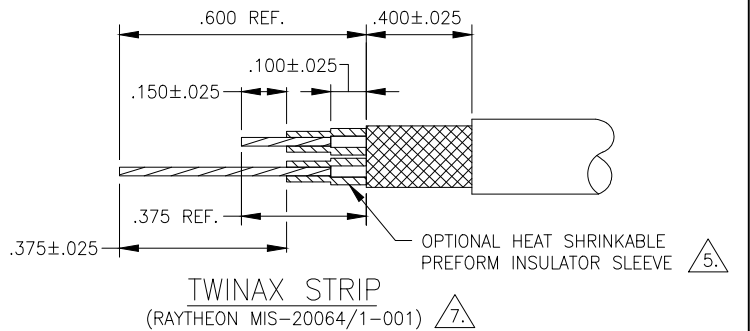
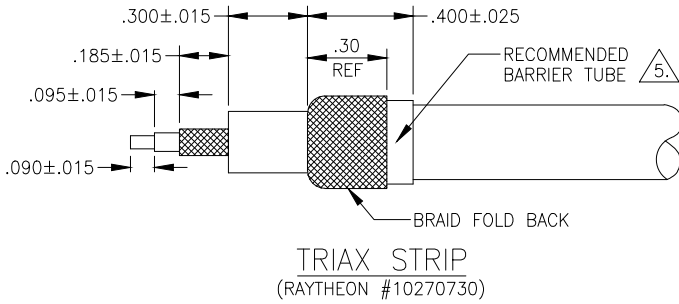
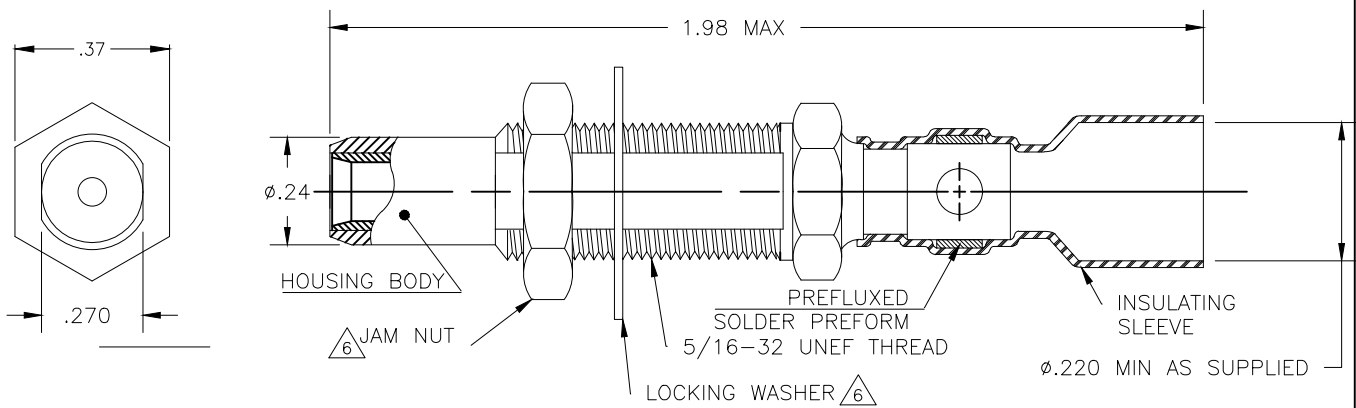


REVISIONS					
P	LTR	DESCRIPTION	DATE	DWN	APVD
	F	REVISED AS PER ECO-20-003569.	11MAR2020	TC	NP



NOTES:

1. PART DESCRIPTION: CONNECTOR, JACK, TRIAXIAL, BULKHEAD (RAYTHEON # 1145047) COMPLETE WITH PREFLUXED SOLDER PREFORM RING AND HEAT SHRINKABLE INSULATING SLEEVE.

MATERIAL:

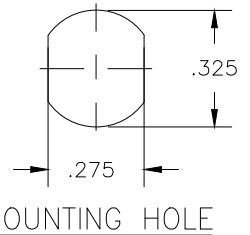
- HOUSING BODY: BRASS ALLOY PER ASTM B16 (QQ-B-626)
- JAM NUT: BRASS ALLOY PER ASTM B16 (QQ-B-626)
- INSULATING SLEEVE: HEAT SHRINKABLE, POLYVINYLIDENE FLUORIDE (TRANSPARENT BLUE)
- SOLDER RING: PREFLUXED SOLDER PREFORM, COMPOSITION Sn63, ROLO FLUX PER ANSI-J-STD-004.
- INSULATOR: THERMOPLASTIC PER LP 392.

FINISH:

- HOUSING BODY: TIN PLATED PER MIL-T-10727
- JAM NUT: NIQUEL PLATED PER QQ-N-290
- LOCK WASHER: PASSIVATED PER MIL-S-5002

- 2. HOUSING ACCOMMODATION: HOUSING DESIGNED TO ACCEPT SHIELDED CONTACTS MIS-20067/1 THRU MIS-20067/4 SHIELDED, RAYCHEM SOLDER TACT D-602-44/45 AND D-602-54/55.
- 3. WIRE SIZE: HOUSING WILL TERMINATE OUTER SHIELD OF TRIAX/ TWINAX CABLE HAVING A SHIELD DIA. OF .185 MAX.
- 4. MATING CONNECTORS: THIS CONNECTOR WILL MATE WITH D-621-0001 (RAYTHEON# 11453046) CONNECTOR, PLUG SUBMINIATURE, TRIAXIAL.

- 5. ITEMS SUPPLIED AS PART OF CONNECTOR ASSEMBLY.
- 6. JAM NUT AND LOCKING WASHER SUPPLIED UNASSEMBLED.
- 7. RECOMMENDED TWINAX STRIPPING TOOL AD-1479 OR AD-1496.
- 8. SEE PROCEDURE ES 61124 FOR TERMINATION INFORMATION.



ACCESSORIES	
CTA-0012	BARRIER TUBE
CTA-0013	PREFORM INSULATOR SLEEVES (2)
D-600-0024	STRAIN RELIEF

TE Connectivity. All Rights Reserved. © 2020

DIMENSIONS: INCHES	DWN	11MAR2020	MATERIAL	-	FINISH	-
	CHK	11MAR2020	 TE Connectivity CONNECTOR, JACK TRIAXIAL, BULKHEAD			
TOLERANCES UNLESS OTHERWISE SPECIFIED:	APVD	11MAR2020				
0 PLC ± -	PRODUCT SPEC	-				
1 PLC ± -	APPLICATION SPEC	-				
2 PLC ± 0.01	NAME	CONNECTOR, JACK TRIAXIAL, BULKHEAD				
3 PLC ± 0.005	SIZE	A4	CAGE CODE	06090	DRAWING NO	D-621-0002
4 PLC ± -	WEIGHT	0.000000	RESTRICTED TO			-
ANGLES ± -	CUSTOMER DRAWING		SCALE	DNS	SHEET	1 OF 1
			REV	F		

X-ON Electronics

Largest Supplier of Electrical and Electronic Components

Click to view similar products for [RF Connector Accessories](#) category:

Click to view products by [TE Connectivity](#) manufacturer:

Other Similar products are found below :

[89674-0712](#) [F702RX24](#) [FERRULE-174](#) [R141802000](#) [R141805000](#) [R141842000](#) [R161862000](#) [R161862000W](#) [R280752000](#) [R280907000](#)
[R694261906](#) [RFI21-13](#) [RFI75-13-D2](#) [RFI75-4-D2](#) [AX102906](#) [AX102907](#) [18097-0013](#) [HP-375](#) [HP-500](#) [2098-0294-00](#) [2098-3251-94](#) [KA-](#)
[81-05](#) [89674-0805](#) [F1](#) [FERRULE-223](#) [202102-11](#) [213337-1](#) [220222-2](#) [24092671A](#) [24092678A](#) [R280468000](#) [R280510000](#) [R282862060](#)
[RFI155-1](#) [RFI25-12-D3](#) [RFI25-5](#) [RFI25-5-D3](#) [RFI75-12-D2](#) [RFI75-2-D2](#) [RFI75-4-D3](#) [RFI77-6](#) [360HS001M2508M6](#) [4-1532137-4](#) [5-21085-](#)
[0](#) [105274-1000](#) [111062-0490](#) [112122-SOD-LUG](#) [112-NUT-KNURL](#) [IPP-2014](#) [R280490020](#)