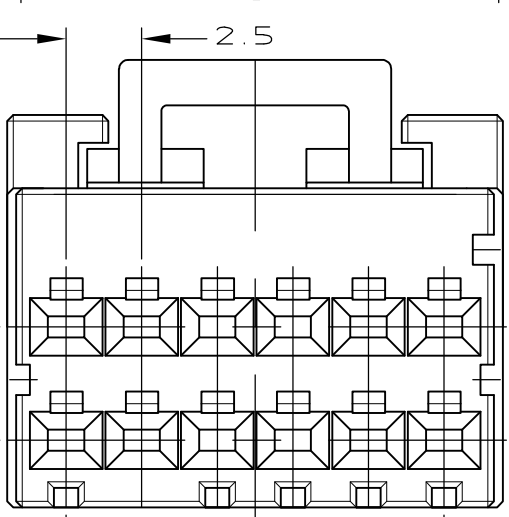
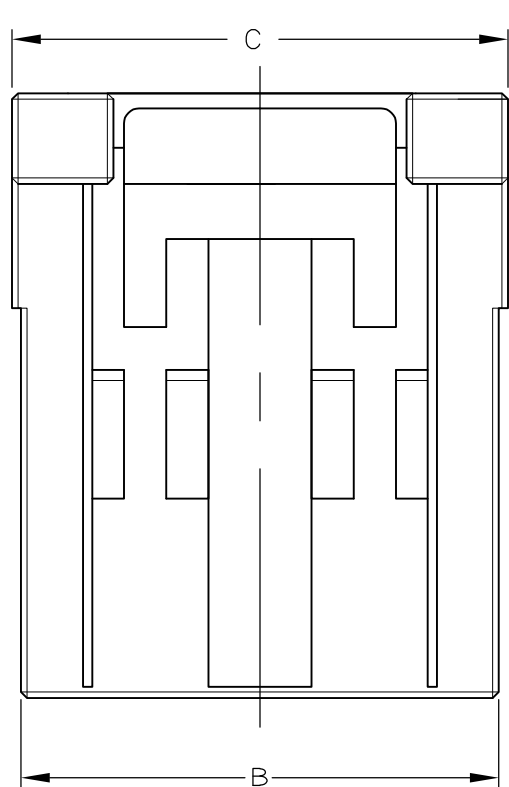
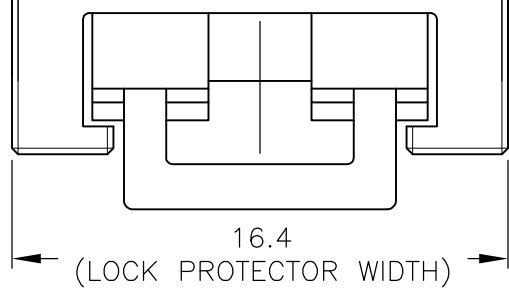
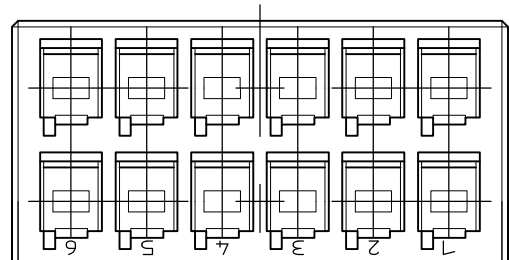
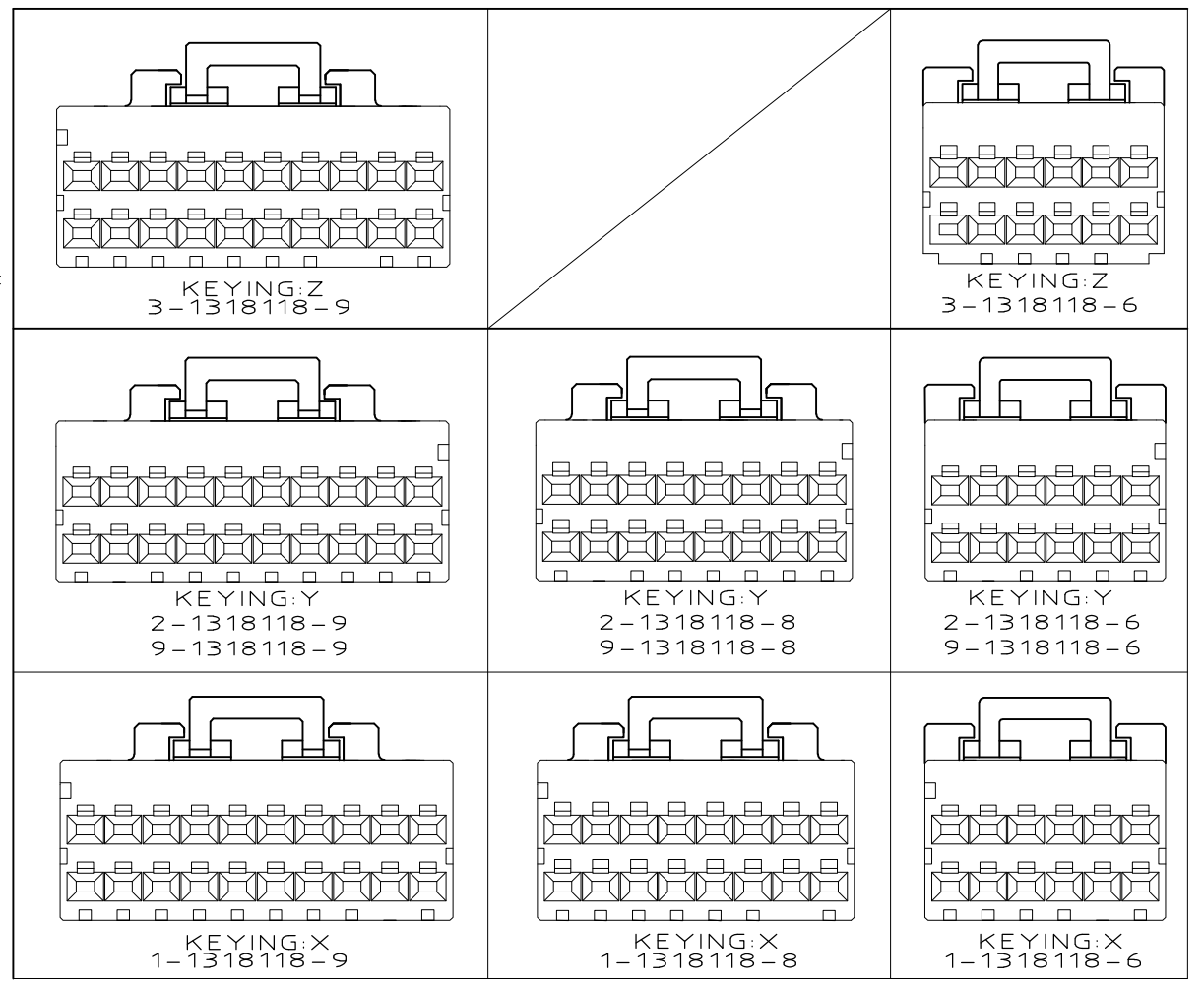
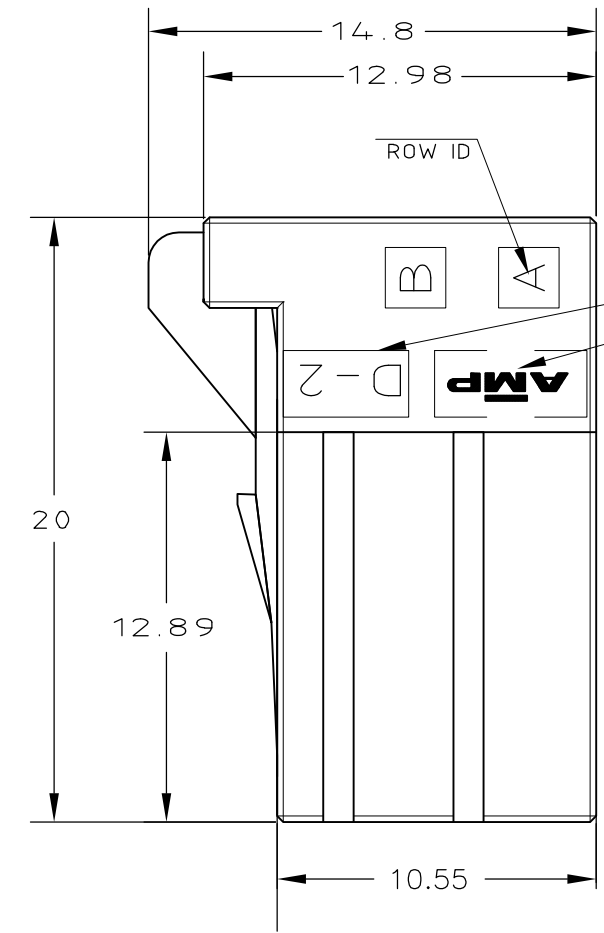


THIS DRAWING IS UNPUBLISHED. RELEASED FOR PUBLICATION
 © COPYRIGHT - By Tyco Electronics Japan G.K. ALL RIGHTS RESERVED.

LOC	DIST	REVISIONS			
P	LTR	DESCRIPTION	DATE	DWN	APVD
J	-	H	REVISED	17APR2015	H.O N.Y



NOTES
 1 MATERIAL:HOUSING:GLASS FILED THERMO PLASTIC ,POLYESTER(94V-0), COLOR:1-/2-/3- : BLACK : 9- : NATURAL
 2 TO COAT ALL SURFACE OF HOUSING WITH TEFLON
 3. APPEARANCE CRITERIA IS BASED ON TE CRITERIA.



FINISH	NET WEIGHT(g)	C	B	A	N	POS	PART NUMBER
-	5.58	26.4	25.8	22.5	9	20	3-1318118-9
OBSOLETE	5.58	26.4	25.8	22.5	9	20	5-1318118-9
-	5.58	26.4	25.8	22.5	9	20	9-1318118-9 2-1318118-9
-	5.58	26.4	25.8	22.5	9	20	1-1318118-9
-	4.69	21.4	20.8	17.5	7	16	9-1318118-8 2-1318118-8
OBSOLETE	4.69	21.4	20.8	17.5	7	16	1-1318118-8
-	3.8	16.4	15.8	12.5	5	12	5-1318118-6
-	3.8	16.4	15.8	12.5	5	12	3-1318118-6
-	3.8	16.4	15.8	12.5	5	12	9-1318118-6 2-1318118-6
-	3.8	16.4	15.8	12.5	5	12	1-1318118-6

THIS DRAWING IS A CONTROLLED DOCUMENT.

DWN K.IKEDA 07DEC1998
 CHK N.MATSUBARA 07DEC1998
 APVD I.HASEGAWA 07DEC1998

STE TE Connectivity

DOUBLE ROW REC HSG
 DYNAMIC D-2100D

PRODUCT SPEC 108-5619
 APPLICATION SPEC 114-5258

SIZE A3 CAGE CODE 00779 DRAWING NO C-1318118 RESTRICTED TO -

WEIGHT CUSTOMER DRAWING SCALE 4:1 SHEET 1 OF 1 REV H

DIMENSIONS: mm	TOLERANCES UNLESS OTHERWISE SPECIFIED: 0 PLC ± 0.3 1 PLC ± 0.35 2 PLC ± 0.35 3 PLC ± 0.4 4 PLC ANGLES ± 3'
MATERIAL 1	FINISH

X-ON Electronics

Largest Supplier of Electrical and Electronic Components

Click to view similar products for [Headers & Wire Housings](#) category:

Click to view products by [TE Connectivity](#) manufacturer:

Other Similar products are found below :

[892-18-020-10-001101](#) [58102-G61-06LF](#) [582553-1](#) [0009485154](#) [009176003701906](#) [0050291907](#) [LY20-4P-DT1-P1E-BR](#) [02.125.8002.8](#)
[609-3404](#) [61062-3](#) [61082-181009](#) [622-3653LF](#) [63453-116](#) [636-1030](#) [636-1427](#) [636-3427](#) [636-4007](#) [641938-9](#) [641991-4](#) [644827-2](#) [65817-](#)
[010LF](#) [65817-015LF](#) [65863-015LF](#) [66207-023LF](#) [67095-007LF](#) [67601157](#) [68645-018](#) [68648-049](#) [70.362.1628.0](#) [70-4210](#) [70-4226B](#) [70-](#)
[4853B](#) [707-5020](#) [707-5028](#) [71.350.2428.0](#) [71918-208LF](#) [71961-016LF](#) [733-134](#) [733-162](#) [754199-000](#) [760-3052](#) [79531-3000](#) [FCN-](#)
[360C032-B](#) [FCN-367T-T012/H](#) [FCN-723D010/2](#) [80.063.4001.1](#) [800-90-010-10-002000](#) [801-43-002-10-013000](#) [801-43-006-10-002000](#)
[801-93-011-10-001000](#)