

4

3

2

1

THIS DRAWING IS UNPUBLISHED. RELEASED FOR PUBLICATION 20
 © COPYRIGHT 20 Tyco Electronics AMP GmbH ALL RIGHTS RESERVED.

| LOC | DIST | REVISIONS | | | | |
|-----|------|-------------|---|-----------|------|----|
| P | LTR | DESCRIPTION | DATE | DWN | APVD | |
| F | 00 | G | CLARIFICATIONS | 30JUN2009 | JT | YP |
| | | H | 13 WAS 11.9 MAX. UPDATE NOTE 5 AND FORMAT | 20OCT2011 | JT | YP |

Top view of the floating bushing. Dimensions: G (total length), H (height), and two holes with diameter $\varnothing 3.05 \pm 0.13$.

Cross-section view of the bushing with a grommet. Dimensions: M (width of bushing), K (width of grommet), and 13 MAX (width of grommet).

Side view of the bushing. Dimensions: A (total length), B (length of central section), C (length of outer section), D (height), and E (height of central section).


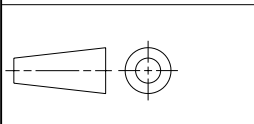
Detailed view of the bushing. Dimensions: 3.05 ± 0.25 (width of top section), 0.80 ± 0.13 (width of bottom section), and $\varnothing 2.18 \pm 0.12$ (diameter of hole).

| 10.90 | 6.17 | 55.32 | 13.56 | 15.37 | 10.74 | 61.11 | 52.43 | 66.93 | RECEPTACLE WITH #20 SOCKET CONTACTS | 50 | 5 | MDP308GF - 50S2 | 6-135760-0 |
|--------|--------|--------|--------|--------|--------|--------|--------|--------|-------------------------------------|---------|------|-----------------|---------------|
| 10.90 | 6.17 | 57.71 | 10.72 | 12.55 | 7.90 | 63.50 | 54.84 | 69.32 | RECEPTACLE WITH #20 SOCKET CONTACTS | 37 | 4 | MDP308GF - 37S2 | 9-135760-5 |
| 10.90 | 6.17 | 41.30 | 10.72 | 12.55 | 7.90 | 47.04 | 38.38 | 53.04 | RECEPTACLE WITH #20 SOCKET CONTACTS | 25 | 3 | MDP308GF - 25S2 | 5-135760-9 |
| 10.90 | 6.17 | 27.51 | 10.72 | 12.55 | 7.90 | 33.32 | 24.66 | 39.14 | RECEPTACLE WITH #20 SOCKET CONTACTS | 15 | 2 | MDP308GF - 15S2 | 5-135760-8 |
| 10.90 | 6.17 | 19.28 | 10.72 | 12.55 | 7.90 | 24.99 | 16.33 | 30.81 | RECEPTACLE WITH #20 SOCKET CONTACTS | 9 | 1 | MDP308GF - 9S2 | 9-135760-4 |
| M±0.25 | K±0.13 | G±0.25 | H±0.25 | E±0.38 | D±0.13 | C±0.13 | B±0.13 | A±0.38 | DESCRIPTION | NB POS. | SIZE | OLD P/N | P/N △ 2 |

SCALE 6:1

SEE NOTES ON LAST SHEET

FLOATING BUSHING

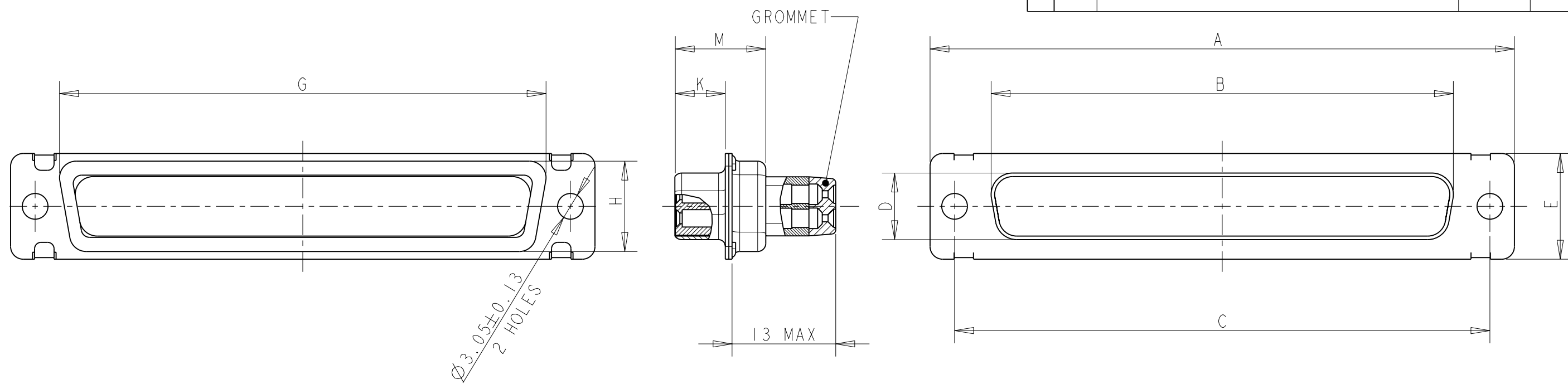
| | | | | | |
|---|--|-------------------------------------|---|--------------------|------------------------|
| THIS DRAWING IS A CONTROLLED DOCUMENT. | | DWN Thierry CORRIOU 21APR2004 |  TE Connectivity | | |
| DIMENSIONS: mm | | CHK Yves PETRONIN 21APR2004 | | | |
| TOLERANCES UNLESS OTHERWISE SPECIFIED: | | APVD Miguel FURIO 21APR2004 | NAME SUB D RECEPTACLE WITH WIRE BUSHING MDP TYPE | | |
|  | | PRODUCT SPEC - | RESTRICTED TO | | |
| MATERIAL NOTE 3 | | APPLICATION SPEC NOTE 7 | SIZE A3 | CAGE CODE 00779 | DRAWING NO C-135760 |
| FINISH NOTE 4 | | WEIGHT - | SCALE 2:1 SHEET 1 OF 5 REV H | | |
| CUSTOMER DRAWING | | | | | |

1470-19 (3/11)

Pro/ENGINEER DRAWING

THIS DRAWING IS UNPUBLISHED. RELEASED FOR PUBLICATION 20
 © COPYRIGHT 20 Tyco Electronics AMP GmbH ALL RIGHTS RESERVED.

| LOC | DIST | REVISIONS | | | | |
|-----|------|-------------|-------------|-----|------|--|
| P | LTR | DESCRIPTION | DATE | DWN | APVD | |
| F | 00 | - | SEE SHEET 1 | - | - | |



| | | | | | | | | | | | | | |
|--------|--------|--------|--------|--------|--------|--------|--------|--------|-------------------------------------|---------|------|-------------------|------------|
| 10.90 | 6.17 | 58.47 | 15.14 | 16.97 | 12.32 | 63.65 | 55.60 | 69.32 | RECEPTACLE WITH #22 SOCKET CONTACTS | 104 | 6 | MDP308G - 66104S2 | 7-135760-9 |
| 10.90 | 6.17 | 55.32 | 13.56 | 15.37 | 10.74 | 61.11 | 52.43 | 66.93 | RECEPTACLE WITH #22 SOCKET CONTACTS | 78 | 5 | MDP308G - 5078S2 | 9-135760-3 |
| 10.90 | 6.17 | 57.71 | 10.72 | 12.55 | 7.90 | 63.50 | 54.84 | 69.32 | RECEPTACLE WITH #22 SOCKET CONTACTS | 62 | 4 | MDP308G - 3762S2 | 9-135760-1 |
| 10.90 | 6.17 | 41.30 | 10.72 | 12.55 | 7.90 | 47.04 | 38.38 | 53.04 | RECEPTACLE WITH #22 SOCKET CONTACTS | 44 | 3 | MDP308G - 2544S2 | 6-135760-9 |
| 10.90 | 6.17 | 27.51 | 10.72 | 12.55 | 7.90 | 33.32 | 24.66 | 39.14 | RECEPTACLE WITH #22 SOCKET CONTACTS | 26 | 2 | MDP308G - 1526S2 | 8-135760-8 |
| 10.90 | 6.17 | 19.28 | 10.72 | 12.55 | 7.90 | 24.99 | 16.33 | 30.81 | RECEPTACLE WITH #22 SOCKET CONTACTS | 15 | 1 | MDP308G - 915S2 | 8-135760-6 |
| 10.90 | 6.17 | 55.32 | 13.56 | 15.37 | 10.74 | 61.11 | 52.43 | 66.93 | RECEPTACLE WITH #20 SOCKET CONTACTS | 50 | 5 | MDP308G - 50S2 | 5-135760-7 |
| 10.90 | 6.17 | 57.71 | 10.72 | 12.55 | 7.90 | 63.50 | 54.84 | 69.32 | RECEPTACLE WITH #20 SOCKET CONTACTS | 37 | 4 | MDP308G - 37S2 | 5-135760-6 |
| 10.90 | 6.17 | 41.30 | 10.72 | 12.55 | 7.90 | 47.04 | 38.38 | 53.04 | RECEPTACLE WITH #20 SOCKET CONTACTS | 25 | 3 | MDP308G - 25S2 | 5-135760-5 |
| 10.90 | 6.17 | 27.51 | 10.72 | 12.55 | 7.90 | 33.32 | 24.66 | 39.14 | RECEPTACLE WITH #20 SOCKET CONTACTS | 15 | 2 | MDP308G - 15S2 | 8-135760-3 |
| 10.90 | 6.17 | 19.28 | 10.72 | 12.55 | 7.90 | 24.99 | 16.33 | 30.81 | RECEPTACLE WITH #20 SOCKET CONTACTS | 9 | 1 | MDP308G - 9S2 | 5-135760-4 |
| M±0.25 | K±0.13 | G±0.25 | H±0.25 | E±0.38 | D±0.13 | C±0.13 | B±0.13 | A±0.38 | DESCRIPTION | NB POS. | SIZE | OLD P/N | P/N 2 |

SEE NOTES ON LAST SHEET

THIS DRAWING IS A CONTROLLED DOCUMENT.

DIMENSIONS: mm

TOLERANCES UNLESS OTHERWISE SPECIFIED:

| | |
|--------|--------|
| 0 PLC | ±0.13 |
| 1 PLC | ±0.13 |
| 2 PLC | ±0.13 |
| 3 PLC | ± |
| 4 PLC | ± |
| ANGLES | ±1 |
| FINISH | NOTE 4 |

MATERIAL NOTE 3

APVD: Thierry CORRIOU, Yves PETRONIN, Miguel FURIO (21 APR 2004)

CHK: Yves PETRONIN (21 APR 2004)

DWN: Thierry CORRIOU (21 APR 2004)

PRODUCT SPEC: SUB D RECEPTACLE WITH WIRE BUSHING MDP TYPE

APPLICATION SPEC: NOTE 7

WEIGHT: -

CUSTOMER DRAWING

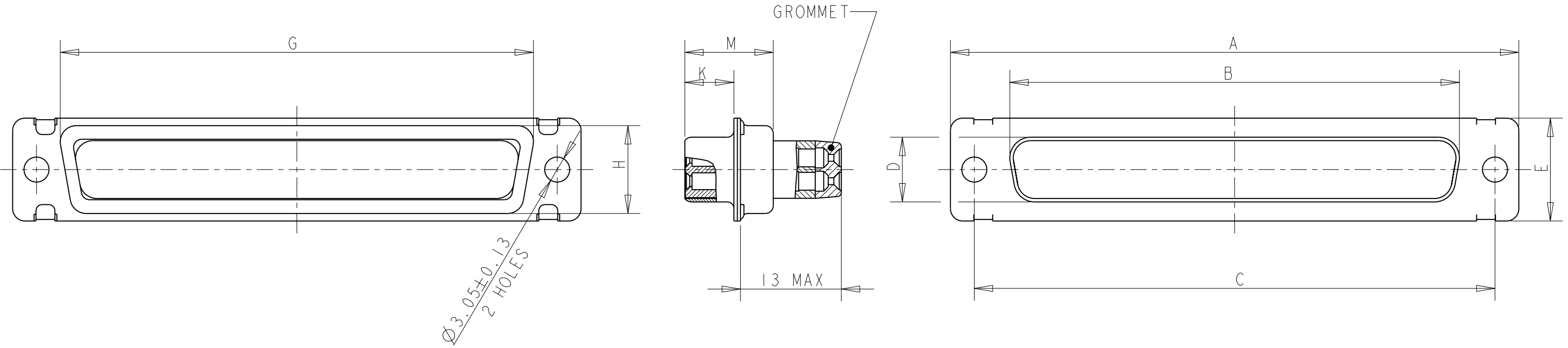
STE TE Connectivity

SIZE: A3, CAGE CODE: 00779, DRAWING NO: 135760

RESTRICTED TO: -

SCALE: 2:1, SHEET: 2 OF 5, REV: H

| LOC | DIST | REVISIONS | | | | |
|-----|------|-------------|-------------|-----|------|--|
| P | LTR | DESCRIPTION | DATE | DWN | APVD | |
| F | 00 | - | SEE SHEET 1 | - | - | |



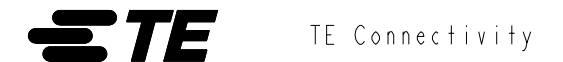
| | | | | | | | | | | | | | |
|--------|--------|--------|--------|--------|--------|--------|--------|--------|--------------------------|--------|------|-------------------------|------------|
| 10.90 | 6.17 | 58.47 | 15.14 | 16.97 | 12.32 | 63.65 | 55.60 | 69.32 | RECEPTACLE, HIGH DENSITY | 104 | 6 | MDP308G - 66104S2 - 001 | 8-135760-0 |
| 10.90 | 6.17 | 55.32 | 13.56 | 15.37 | 10.74 | 61.11 | 52.43 | 66.93 | RECEPTACLE, HIGH DENSITY | 78 | 5 | MDP308G - 5078S2 - 001 | 9-135760-2 |
| 10.90 | 6.17 | 57.71 | 10.72 | 12.55 | 7.90 | 63.50 | 54.84 | 69.32 | RECEPTACLE, HIGH DENSITY | 62 | 4 | MDP308G - 3762S2 - 001 | 9-135760-0 |
| 10.90 | 6.17 | 41.30 | 10.72 | 12.55 | 7.90 | 47.04 | 38.38 | 53.04 | RECEPTACLE, HIGH DENSITY | 44 | 3 | MDP308G - 2544S2 - 001 | 8-135760-9 |
| 10.90 | 6.17 | 27.51 | 10.72 | 12.55 | 7.90 | 33.32 | 24.66 | 39.14 | RECEPTACLE, HIGH DENSITY | 26 | 2 | MDP308G - 1526S2 - 001 | 8-135760-7 |
| 10.90 | 6.17 | 19.28 | 10.72 | 12.55 | 7.90 | 24.99 | 16.33 | 30.81 | RECEPTACLE, HIGH DENSITY | 15 | 1 | MDP308G - 915S2 - 001 | 8-135760-5 |
| 10.90 | 6.17 | 55.32 | 13.56 | 15.37 | 10.74 | 61.11 | 52.43 | 66.93 | RECEPTACLE | 50 | 5 | MDP308G - 50S2 - 001 | 4-135760-5 |
| 10.90 | 6.17 | 57.71 | 10.72 | 12.55 | 7.90 | 63.50 | 54.84 | 69.32 | RECEPTACLE | 37 | 4 | MDP308G - 37S2 - 001 | 4-135760-4 |
| 10.90 | 6.17 | 41.30 | 10.72 | 12.55 | 7.90 | 47.04 | 38.38 | 53.04 | RECEPTACLE | 25 | 3 | MDP308G - 25S2 - 001 | 4-135760-6 |
| 10.90 | 6.17 | 27.51 | 10.72 | 12.55 | 7.90 | 33.32 | 24.66 | 39.14 | RECEPTACLE | 15 | 2 | MDP308G - 15S2 - 001 | 4-135760-3 |
| 10.90 | 6.17 | 19.28 | 10.72 | 12.55 | 7.90 | 24.99 | 16.33 | 30.81 | RECEPTACLE | 9 | 1 | MDP308G - 9S2 - 001 | 4-135760-2 |
| M±0.25 | K±0.13 | G±0.25 | H±0.25 | E±0.38 | D±0.13 | C±0.13 | B±0.13 | A±0.38 | DESCRIPTION | NB POS | SIZE | OLD P/N | P/N 2 |

SEE NOTES ON LAST SHEET

THIS DRAWING IS A CONTROLLED DOCUMENT.

| | |
|-------------------|--|
| DIMENSIONS: mm | TOLERANCES UNLESS OTHERWISE SPECIFIED: |
| | 0 PLC ±0.13 |
| | 1 PLC ±0.13 |
| | 2 PLC ±0.13 |
| | 3 PLC ±- |
| | 4 PLC ±- |
| | ANGLES ±1 |
| MATERIAL NOTE 3 | FINISH NOTE 4 |

| | |
|------------------|-----------------|
| DWN | 21APR2004 |
| CHK | Thierry CORRIOU |
| APVD | 21APR2004 |
| APVD | Yves PETRONIN |
| APVD | 21APR2004 |
| APVD | Miguel FURIO |
| PRODUCT SPEC | - |
| APPLICATION SPEC | NOTE 7 |
| WEIGHT | - |



SUB D RECEPTACLE WITH WIRE BUSHING MDP TYPE

| | | | |
|------|-----------|------------|---------------|
| SIZE | CAGE CODE | DRAWING NO | RESTRICTED TO |
| A3 | 00779 | C=135760 | - |

THIS DRAWING IS UNPUBLISHED.

RELEASED FOR PUBLICATION

20

© COPYRIGHT 20

Tyco Electronics AMP GmbH

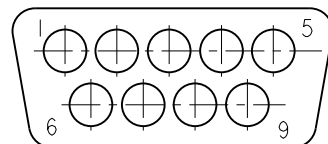
ALL RIGHTS RESERVED.

LOC F DIST 00

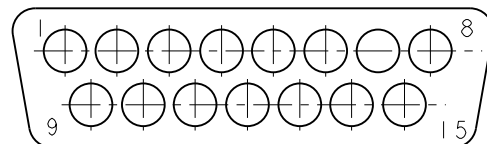
REVISIONS

| P | LTR | DESCRIPTION | DATE | DWN | APVD |
|---|-----|-------------|------|-----|------|
| | - | SEE SHEET 1 | - | - | - |
| | | | | | |
| | | | | | |

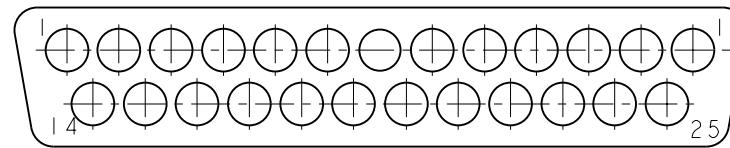
MATING FACE OF PLUG SHOWN CONFIGURATIONS FOR #20 CONTACTS



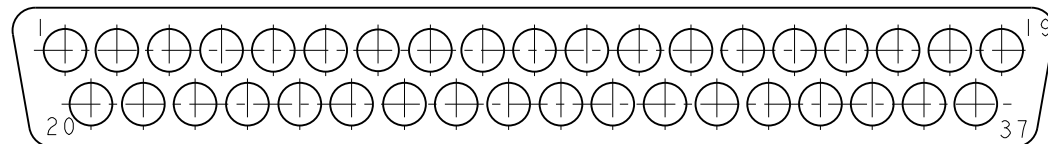
9 POSITION MS18273-1
SHELL SIZE 1



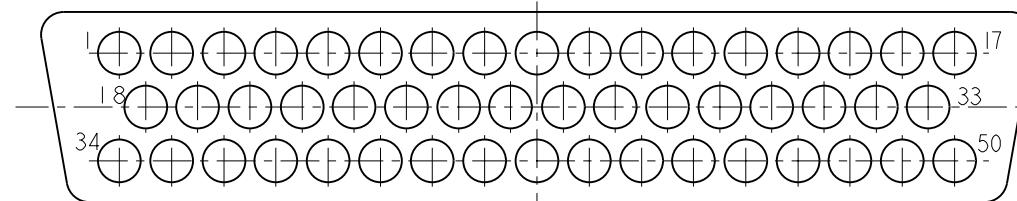
15 POSITION MS18274-1
SHELL SIZE 2



25 POSITION MS18275-1
SHELL SIZE 3

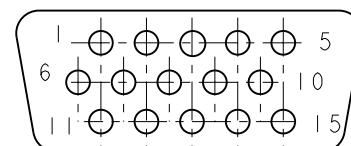


37 POSITION MS18276-1
SHELL SIZE 4

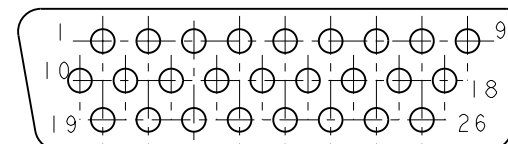


50 POSITION MS18277-1
SHELL SIZE 5

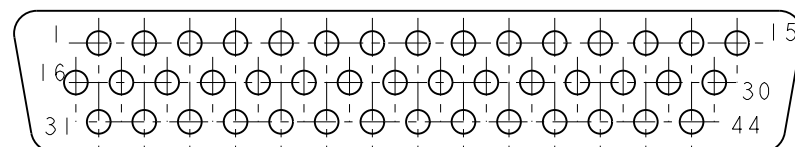
CONFIGURATIONS FOR #22 CONTACTS MATING FACE OF PLUG SHOWN



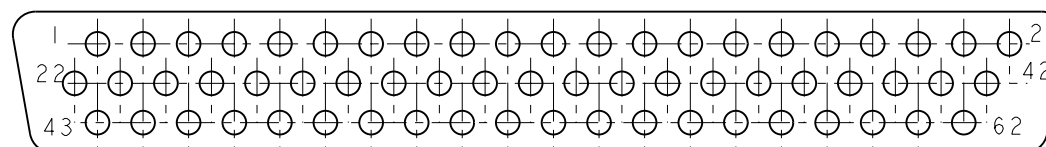
15 POSITION MS18273-2
SHELL SIZE 1



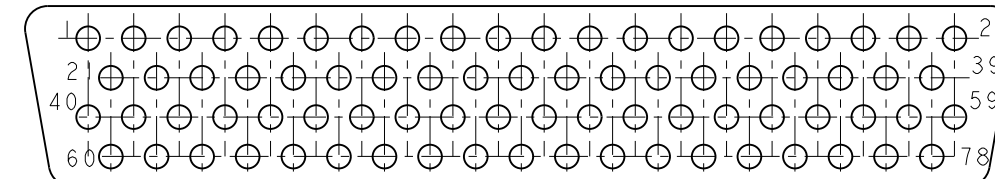
26 POSITION MS18274-2
SHELL SIZE 2



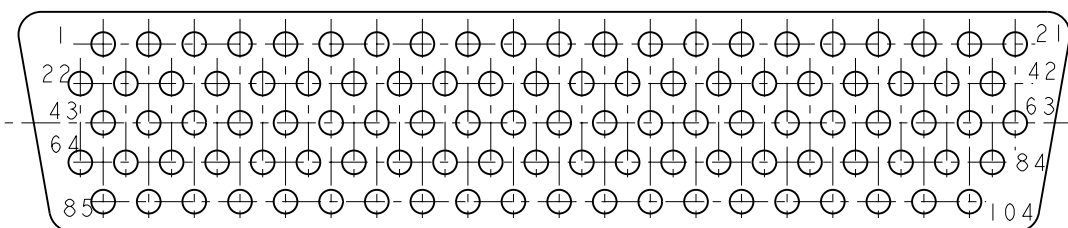
44 POSITION MS18275-2
SHELL SIZE 3



62 POSITION MS18276-2
SHELL SIZE 4


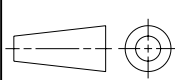


78 POSITION MS18277-2
SHELL SIZE 5



104 POSITION MS14004-1
SHELL SIZE 6

SEE NOTES ON LAST SHEET

| | | | |
|---|--|----------------------------------|--|
| THIS DRAWING IS A CONTROLLED DOCUMENT. | | DWN 21APR2004 Thierry CORRIOU |  TE Connectivity |
| DIMENSIONS: mm | | CHK 21APR2004 Yves PETRONIN | |
| TOLERANCES UNLESS OTHERWISE SPECIFIED: | | APVD 21APR2004 Miguel FURIO | |
|  | | PRODUCT SPEC | |
| MATERIAL NOTE 3 | | APPLICATION SPEC | NAME SUB D RECEPTACLE WITH WIRE BUSHING MDP TYPE |
| FINISH NOTE 4 | | NOTE 7 | SIZE A3 |
| | | WEIGHT - | CAGE CODE 00779 |
| | | CUSTOMER DRAWING | DRAWING NO 135760 |
| | | SCALE 1:1 | RESTRICTED TO - |
| | | SHEET 4 OF 5 | REV H |

THIS DRAWING IS UNPUBLISHED. RELEASED FOR PUBLICATION 20

© COPYRIGHT 20 Tyco Electronics AMP GmbH ALL RIGHTS RESERVED.

| LOC | DIST | REVISIONS | | | | | |
|-----|------|-----------|-----|-------------|------|-----|------|
| | | P | LTR | DESCRIPTION | DATE | DWN | APVD |
| F | 00 | | - | SEE SHEET 1 | - | - | - |
| | | | | | | | |
| | | | | | | | |

1 THIS CONNECTOR MEETS THE REQUIREMENTS OF MIL-DTL-24308

2 PART NUMBER FOR ORDERING

3- MATERIALS :

- SHELL : STEEL,CD PLATED
- HOUSING : PBT,GLASS FILLED,UL94VO
- RETAINING CLIP : STAINLESS STEEL
- GROMMET AND INTERFACIAL SEAL : FLUROSILICONE ELASTOMER
- SEALING COMPOUND : RTV
- CONTACT:COPPER ALLOY,GOLD PLATED OVER NICKEL

4- CABLES EXTERNAL DIAMETER FOR CONTACTS #20 : $\varnothing 0.85$ to $\varnothing 1.83$
 CABLES EXTERNAL DIAMETER FOR CONTACTS #22 : $\varnothing 1.37$ MAX

5- CONNECTOR MARKING:

- . MANUFACTURER IDENTIFICATION
- . PART NUMBER
- . DATE-CODE

6- INSERT ARRANGEMENT PER MIL-DTL-24308


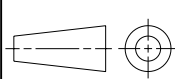
7- FOR CONTACT CRIMPING INSTRUCTION SHEET REFER TO SPEC IS 7516
 FOR CONTACT INSTALATION/ REMOVAL INSTRUCTION SHEET REFER TO SPEC IS 7508

8- #20 SOCKET CRIMP CONTACT P/N: 205090-1
 #20 PIN CRIMP CONTACT P/N: 205089-1

#22D SOCKET CRIMP CONTACT P/N: 204351-1
 #22D PIN CRIMP CONTACT P/N: 204370-2

9- INSERTION/EXTRACTION TOOL P/N: 91067-2
 INSERTION/EXTRACTION TOOL P/N: 91067-1

10- CRIMP WITH HAND TOOL: 601966-1+ DIE INSERT : 601966-4
 CRIMP WITH HAND TOOL: M22520/02-01 + POSITIONNER : M22520/02-06

| | | | | | |
|---|------------------|-------------------------------------|---|--------------------|------------------------|
| THIS DRAWING IS A CONTROLLED DOCUMENT. | | DWN Thierry CORRIOU 21APR2004 |  TE Connectivity | | |
| DIMENSIONS: mm | | CHK Yves PETRONIN 21APR2004 | | | |
| TOLERANCES UNLESS OTHERWISE SPECIFIED: | | APVD Miguel FURIO 21APR2004 | NAME SUB D RECEPTACLE WITH WIRE BUSHING MDP TYPE | | |
|  | | PRODUCT SPEC - | RESTRICTED TO | | |
| 0 PLC ±0.13 1 PLC ±0.13 2 PLC ±0.13 3 PLC ± 4 PLC ± ANGLES ±1 | | APPLICATION SPEC NOTE 7 | SIZE A3 | CAGE CODE 00779 | DRAWING NO C-135760 |
| MATERIAL NOTE 3 | FINISH NOTE 4 | WEIGHT - | SCALE 1:1 SHEET 5 OF 5 REV H | | |
| | | CUSTOMER DRAWING | | | |

X-ON Electronics

Largest Supplier of Electrical and Electronic Components

Click to view similar products for [D-Sub Standard Connectors](#) category:

Click to view products by [TE Connectivity](#) manufacturer:

Other Similar products are found below :

[DCM37S732N](#) [DAM15P500](#) [DEV09S364GTLF](#) [DEM09P032N](#) [DDM50P732N](#) [DAM15S332N](#) [173109-2218](#) [173109-2466](#) [173109-2436](#)
[173109-2435](#) [56F706-005-LI](#) [56F711-015](#) [015-0341-000](#) [015-0372-008](#) [015-8544-011](#) [017041-0005](#) [020419-0104](#) [012-0515-000](#) [012-9507-](#)
[034](#) [012-9507-114](#) [012-9534-001](#) [020745-0008](#) [609-25P](#) [M24308/2-23Z](#) [M243082310F](#) [M243082410F](#) [M243082411F](#) [M24308/4-21](#)
[CT1A18-11PSA206](#) [CT1N36-5SC](#) [CT2-16S-17PS](#) [CT2-20-15PCAU](#) [CT2-24-12PS](#) [CT2-24-28PSF127A206](#) [CT2-32-9PC](#) [CT6F9767-14-4-](#)
[14S-5PC](#) [CT6FA10SL-4PS](#) [CT7-18-10SC](#) [CT7-18-10SCAU](#) [CT7-18-12SCAU](#) [CT7-18-1PC](#) [CT7-18-1PCAU](#) [CT7-18-21SCAU](#) [M83513/01-](#)
[FC](#) [M83723/76W24619 L/C](#) [M85049/48-3-2F](#) [69001-865](#) [6STD09PCM99B70X](#) [6STD09SCM99B30X](#) [6STD09SCT99S40X](#)