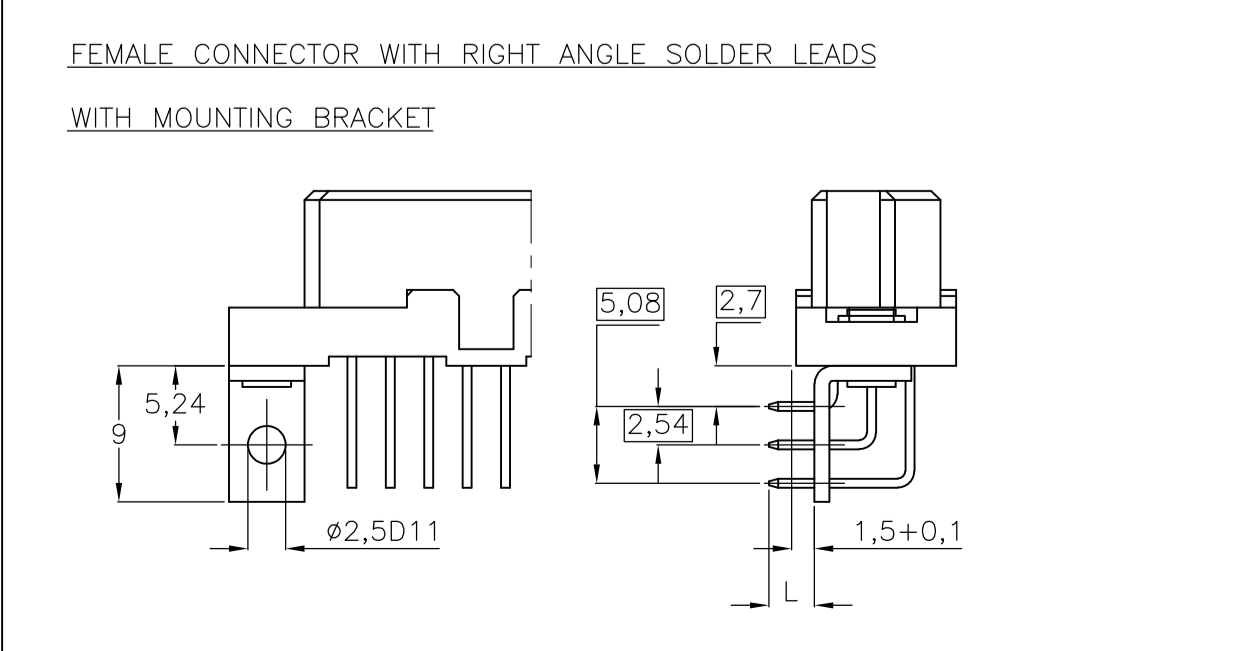
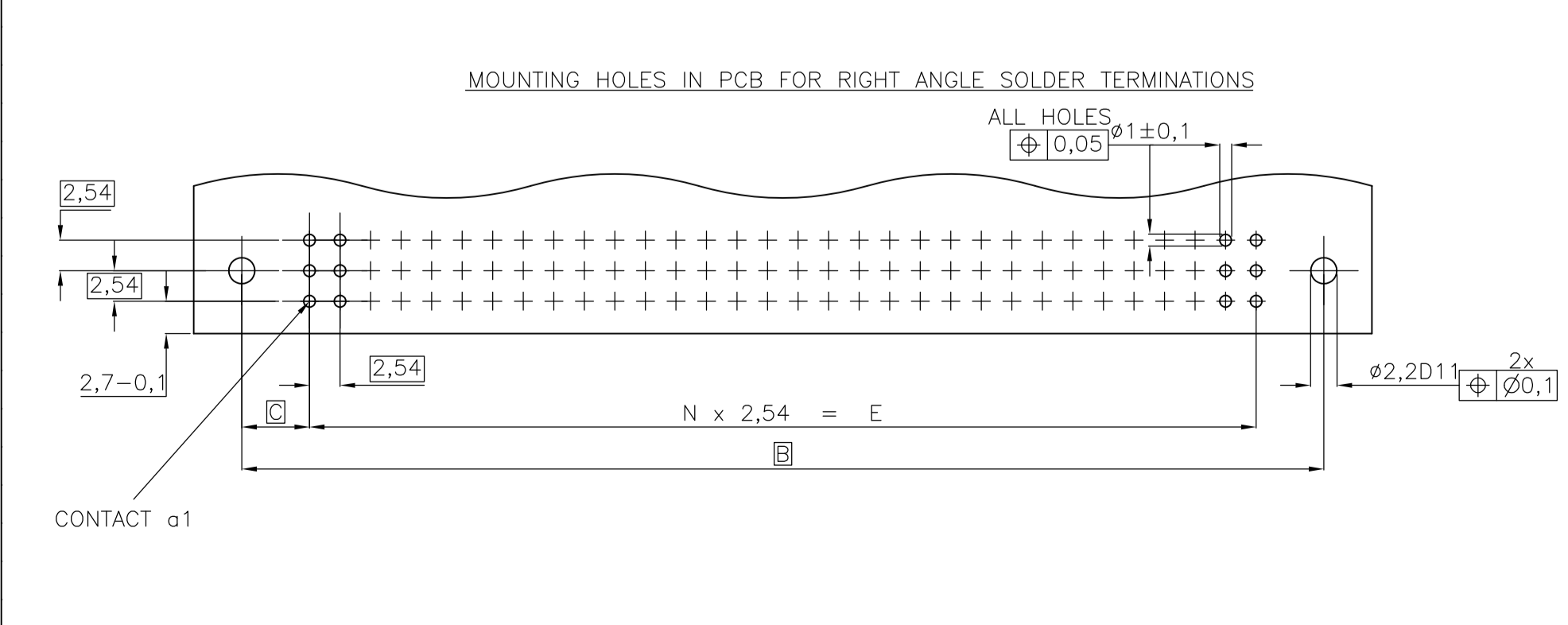
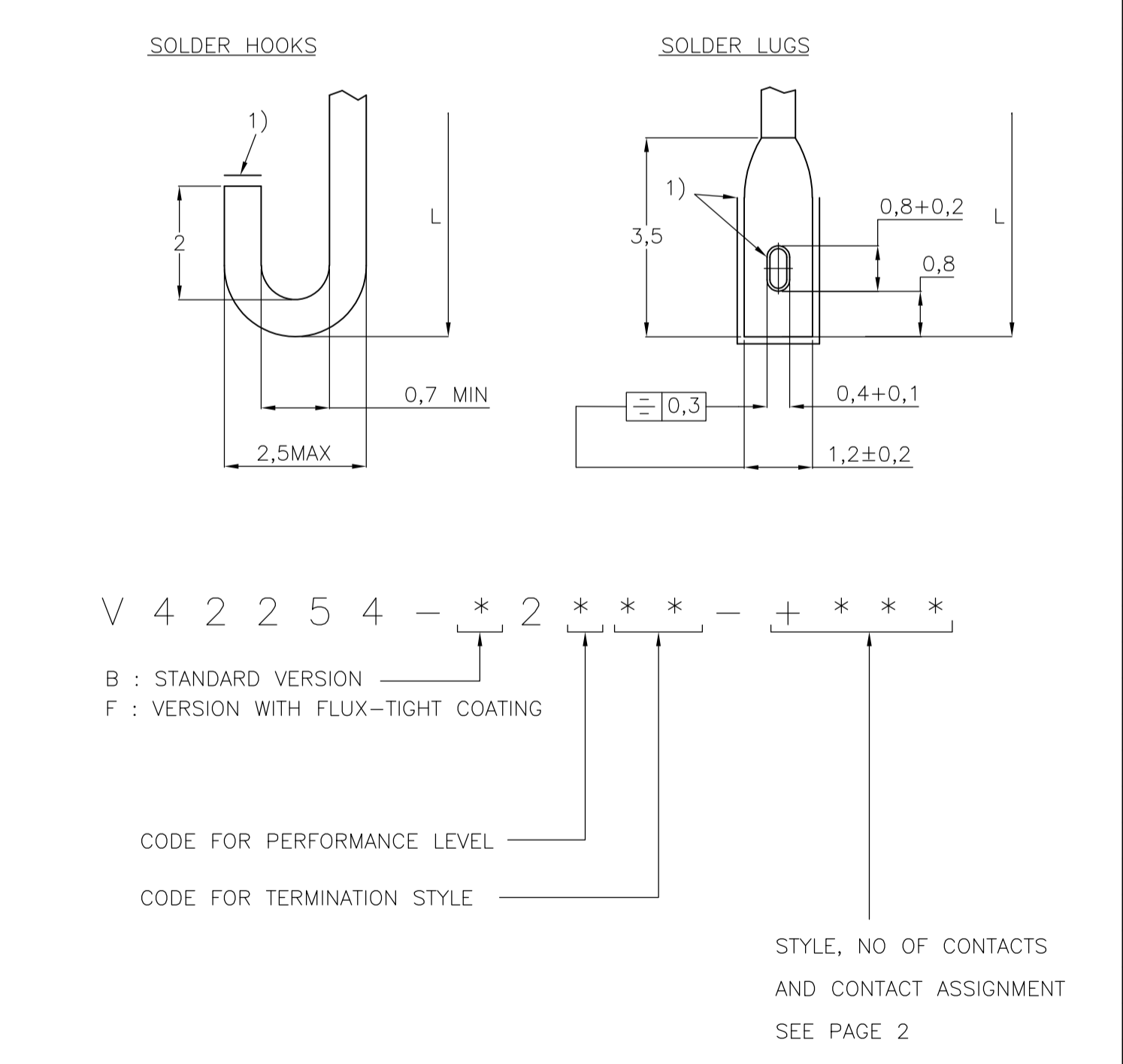
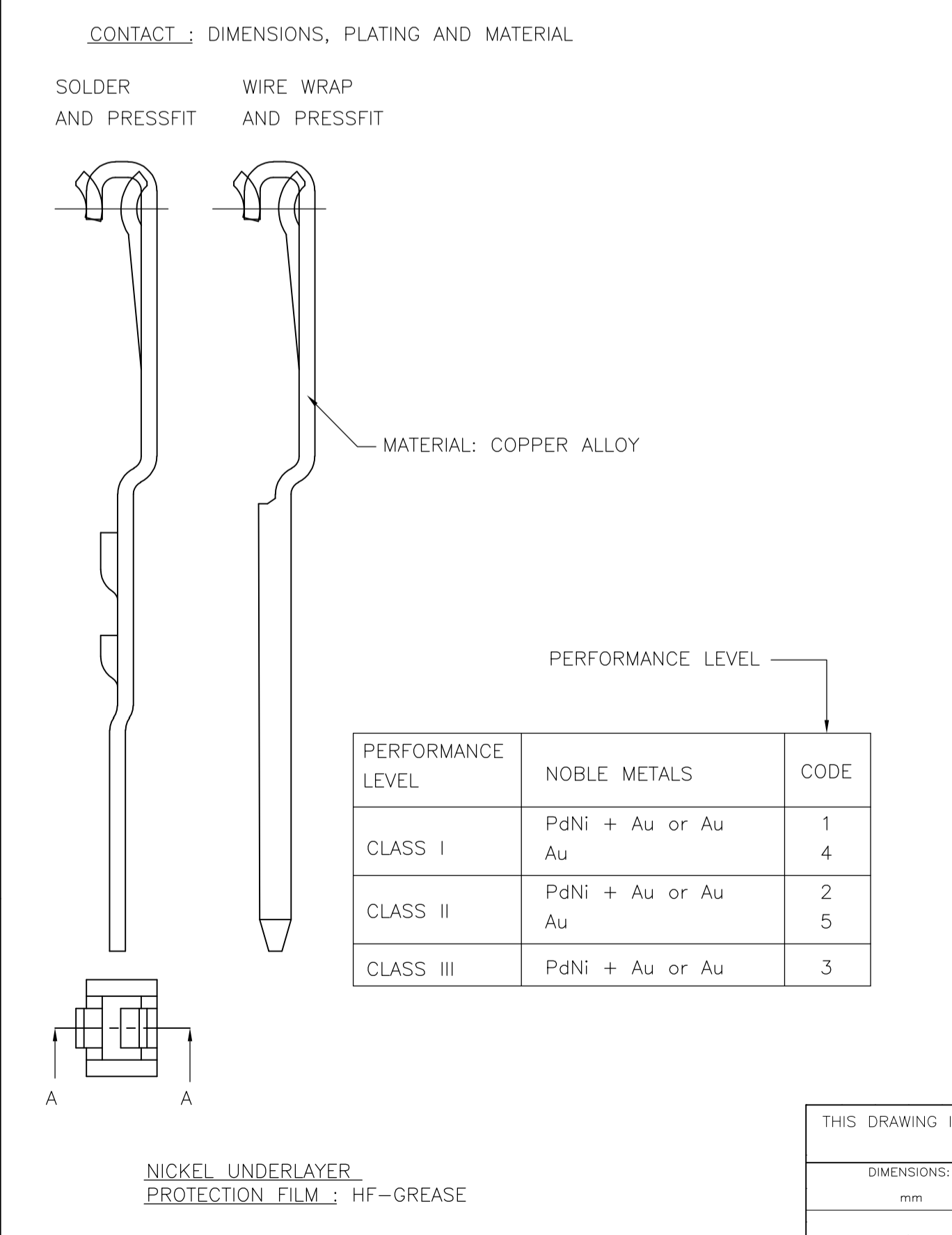
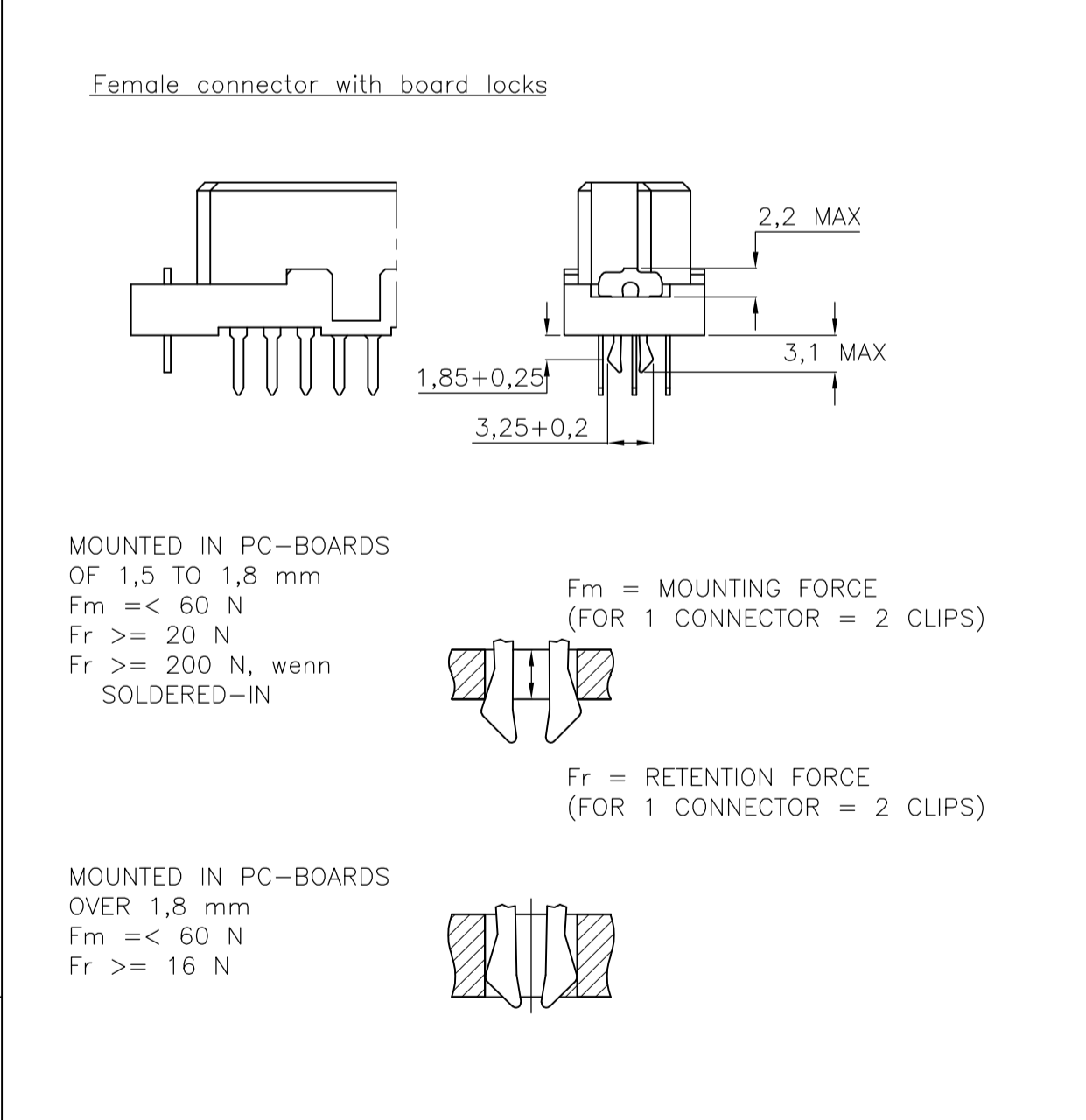
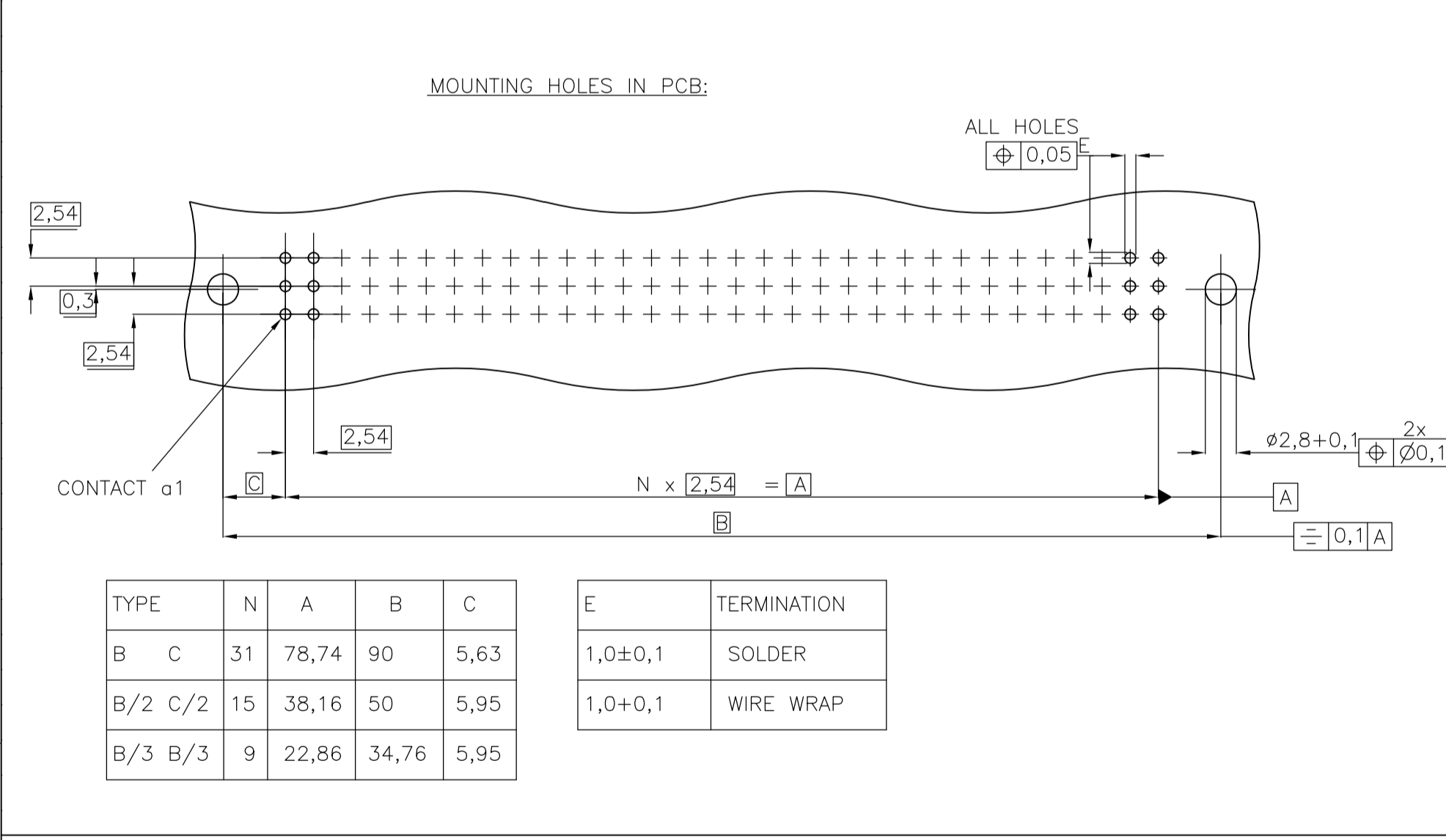


TERMINATION STYLES	L	CODE
SOLDER	2,9±0,3	01
	3,7±0,3	05
	4,5±0,3	02
SOLDER	6±0,3	03
	7,3±0,3	04
WIRE WRAP	13±0,5	40
SOLDER HOOKS	5,5±0,3	30
	10±0,5	
SOLDER LUGS	5,5±0,3	35
	10-0,5	
SOLDER RIGHT ANGLE	1,55-0,4	00
	3-0,4	
SOLDER RIGHT ANGLE WITH MOUNTING BRACKET	13±0,5	60
	17±0,5	
	4±0,5	
	13±0,5	
	17±0,5	
	6±0,5	
	6±0,5	



THIS DRAWING IS A CONTROLLED DOCUMENT.

DIN CUVIELIER 14FEB99

STE TE Connectivity

RECEPTACLE ASSEMBLY EUROCARD TYPES B,C AND SHORT VERSIONS (PN:V42254-B2***-C***-7626)

SIZE A1 CAGE CODE 00779 DRAWING NO. 1393640-1

CUSTOMER DRAWING SCALE NTS SHEET 1 OF 2 REV B11

Table with columns for REVISIONS, including fields for DATE, DWN, and APVO. Revision 1 is noted as 'SEE SHEET 1'.

Table header with columns: PRODUCT DESCRIPTION CODE, TE PN, STYLE & NUMBER OF POSITIONS, TERMINATION POSTS, LOADED ROWS, PERFORMANCE LEVEL, BOARD LOCKS.

Main data table listing various connector specifications, including product codes (e.g., V42254-B2100-C960), TE PNs (e.g., 1393640-1), styles (e.g., C96), and termination types (e.g., RIGHT-ANGLE SOLDER LEADS). Includes performance levels and board lock status.

3) ACCORDING TO BT 236 LEVEL 2.
2) CONNECTORS HAVE A FLUX-TIGHT COATING.
1) NO COMPANY NAME MARKED ON THE CONNECTOR.

ACTIVE PART NUMBERS.
CONTACT TE FOR OTHER CONFIGURATION AVAILABILITY

Controlled document information block including dimensions (mm), tolerances, material, finish, weight, and customer drawing details. Includes the STC logo and 'TE Connectivity' text.

X-ON Electronics

Largest Supplier of Electrical and Electronic Components

Click to view similar products for [DIN 41612 Connectors](#) category:

Click to view products by [TE Connectivity](#) manufacturer:

Other Similar products are found below :

[004.767](#) [608489050008049](#) [691327-1](#) [74670-0732](#) [74680-0340](#) [75880-0015](#) [76453-0014](#) [86093159ALF](#) [9732967801](#) [QLC260R](#)
[120X10019X](#) [120X10089X](#) [122A10249X](#) [122A11089X](#) [122A13089X](#) [122A10089X](#) [122A10129X](#) [122A10349X](#) [122A13359X](#) [1377391-4](#)
[DIN-048CPC-SR1-MH](#) [1393583-2](#) [1393726-7](#) [140X10129X](#) [143-1913-000](#) [143-1908-000](#) [1484472-1](#) [2110070-1](#) [2110070-2](#) [CBC20T00-](#)
[008FDS5-0-1-002VR](#) [172699-5036](#) [2-1393557-4](#) [2-1437084-2](#) [394506](#) [419-2080-402](#) [V42254B2202C968](#) [419-2086-201](#) [419-2087-002](#)
[448657-1](#) [448847-3](#) [5-1393755-9](#) [02990000004](#) [054302](#) [043556](#) [09062483201750](#) [0850033067](#) [09031646555](#) [09061486901840](#)
[09185107324800](#) [102A10019X](#)