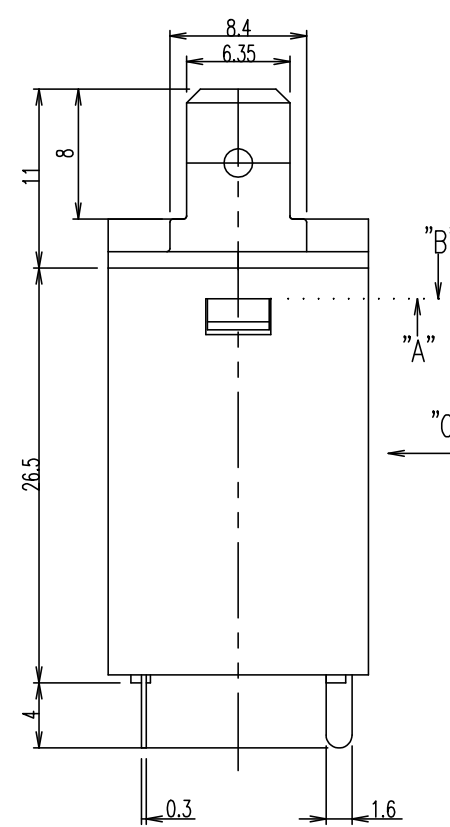
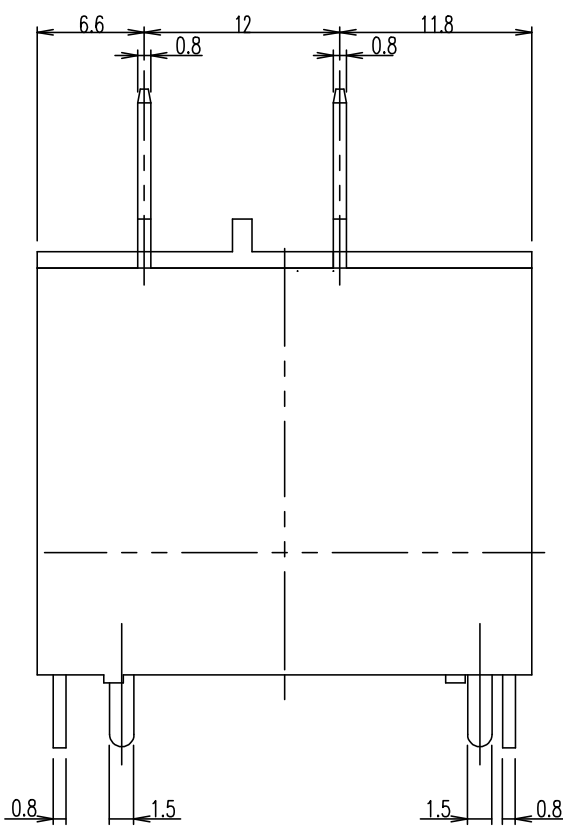


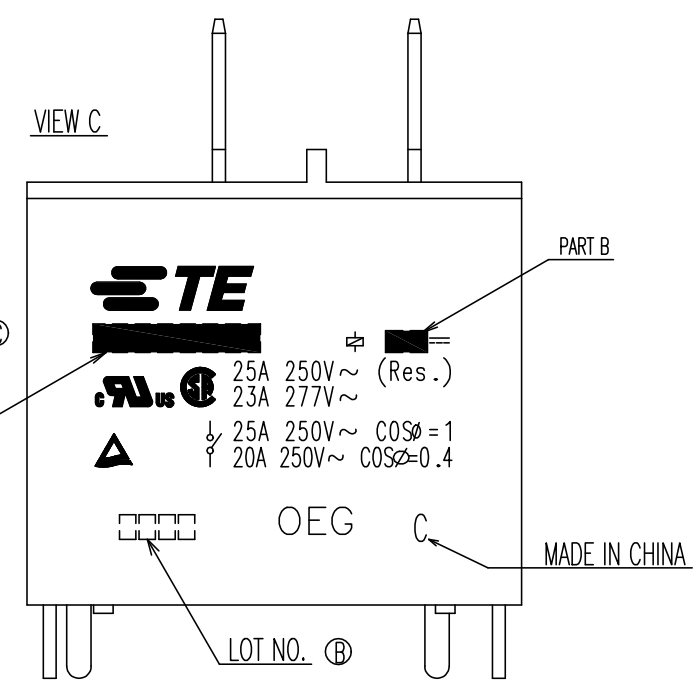
THIS DRAWING IS UNPUBLISHED. RELEASED FOR PUBLICATION
 © COPYRIGHT ALL RIGHTS RESERVED.

LOC	DIST	REVISIONS					
HB		P	LTR	DESCRIPTION	DATE	DWN	APVD
			C	TE LOGO CHANGE; ECO-18-008295	30-MAY-18	TOD	K.T
			D	OBSOLETE PN; ECO-19-007441	21-AUG-19	TOD	K.T



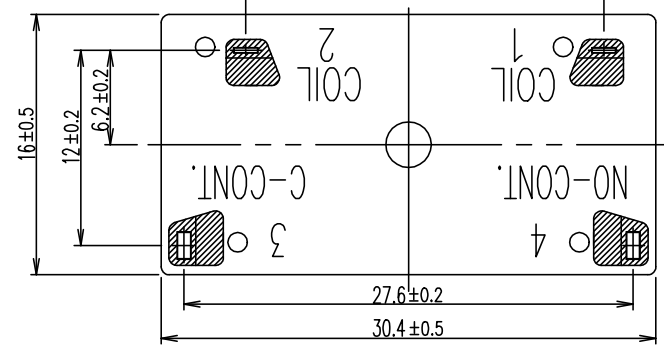
NOTE:
 LOT NO. SYSTEM AS FOLLOWING:

 WEEK
 YEAR



OBSOLETE

Diagram dimension	Tolerance
0.99mm max.	±0.1mm
1 - 2.99mm	±0.2mm
3mm min.	±0.3mm



DIMENSIONS: mm		TOLERANCES UNLESS OTHERWISE SPECIFIED:		DWN	H.SASAKI	TE Connectivity			
		0 PLC ± 1 PLC ± 2 PLC ± 3 PLC ± 4 PLC ± ANGLES ±		CHK	N.FUNAYAMA				NAME PCF-D1M CUSTOMER DRAWING
MATERIAL		FINISH		APVD	A.NAGAI	SIZE	CAGE CODE	DRAWING NO	
SEE MATERIAL TABLE		-		PRODUCT SPEC	-	A3	00779	2-1419146-1	-
				APPLICATION SPEC	-	SCALE		SHEET	REV
				WEIGHT	-	3:1		1 OF 2	D
				CUSTOMER DRAWING					

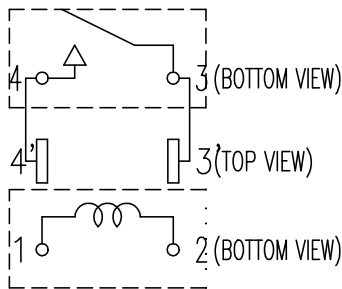
LOC
HB

DIST

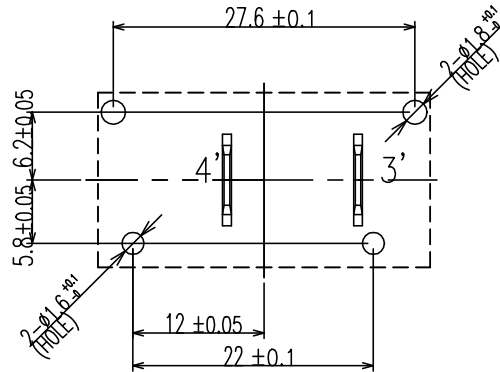
REVISIONS

P	LTR	DESCRIPTION	ECN	DATE	DWN	APVD

CONNECTION DIAGRAM



DRILLING DIAGRAM (BOTTOM VIEW)



OBSOLETE

ⓐ	OBSOLETE	2-1419146-4	PCF-148D1M,000	48V	PCF-148D1M	f
ⓑ	OBSOLETE	9-1419129-5	PCF-124D1M,000	24V	PCF-124D1M	e
ⓒ	OBSOLETE	9-1419129-2	PCF-112D1M,000	12V	PCF-112D1M	d
ⓓ	OBSOLETE	2-1419146-3	PCF-109D1M,000	9V	PCF-109D1M	c
ⓔ	OBSOLETE	2-1419146-2	PCF-106D1M,000	6V	PCF-106D1M	b
ⓕ	OBSOLETE	2-1419146-1	PCF-105D1M,000	5V	PCF-105D1M	a
	STATUS	PART NO	DESCRIPTION	PART B	PART A	ITEM

RELAY TYPE

		EPOXY RESIN	SEAL	18
		POLYURETHANE Cu WIRE	MAGNETIC WIRE	17
UL 94V-0		PPS	CARD	16
UL 94V-0		PBT	CASE	15
UL 94V-0		PBT	BASE	14
UL 94V-0		PBT	BOBBIN	13
	SOLDER DIP	Cu ALLOY	COIL TERMINAL R	12
	SOLDER DIP	Cu ALLOY	COIL TERMINAL L	11
		STAINLESS	HINGE SPRING	10
		Aq ALLOY	STATIONARY CONTACT	9
		Aq ALLOY	MOVABLE CONTACT	8
		Cu ALLOY	STATIONARY SPRING	7
		Cu ALLOY	MOVABLE SPRING	6
	SOLDER DIP	Cu ALLOY	STATIONARY TERMINAL	5
	SOLDER DIP	Cu ALLOY	MOVABLE TERMINAL	4
	Ni PLATED	STEEL	CORE	3
	Ni PLATED	STEEL	ARMATURE	2
	Ni PLATED	STEEL	YOKE	1
INCOMBUSTIBILITY	TREATMENT	MATERIAL	DESCRIPTION	ITEM

DIMENSIONS: mm		TOLERANCES UNLESS OTHERWISE SPECIFIED:		DWN	TE Connectivity		
		0 PLC	±	CHK	NAME		
		1 PLC	±	APVD	PCF-D1M CUSTOMER DRAWING		
		2 PLC	±	PRODUCT SPEC			
		3 PLC	±	APPLICATION SPEC			
		4 PLC	±	WEIGHT	SIZE	CAGE CODE	DRAWING NO
MATERIAL SEE MATERIAL TABLE		FINISH	—	CUSTOMER DRAWING	A3	00779	G- 2-1419146-1
		ANGLES	±		RESTRICTED TO		
					SCALE	SHEET	REV
					3:1	2 OF 2	D

X-ON Electronics

Largest Supplier of Electrical and Electronic Components

Click to view similar products for [General Purpose Relays](#) category:

Click to view products by [TE Connectivity](#) manufacturer:

Other Similar products are found below :

[PCN-105D3MH,000](#) [59641F200](#) [5JO-1000CD-SIL](#) [LY1SAC110120](#) [5X827E](#) [5X837F](#) [5X840F](#) [5X842F](#) [5X848E](#) [LY2N-AC120](#) [LY2S-AC220/240](#) [LY2-US-AC120](#) [LY3-US-AC120](#) [LY4F-UA-DC12](#) [LY4F-UA-DC24](#) [LY4F-US-AC120](#) [LY4F-US-AC240](#) [LY4F-US-DC24](#) [LY4F-VD-AC110](#) [LYQ20DC12](#) [M115C60](#) [M115N010](#) [M115N0150](#) [6031007G](#) [603-12D](#) [61211T0B4](#) [61212T400](#) [61222Q400](#) [61243B600](#) [61243C500](#) [61243Q400](#) [61311BOA2](#) [61311BOA6](#) [61311BOA8](#) [61311C0A2](#) [61311COA1](#) [61311COA6](#) [61311F0A2](#) [61311QOA1](#) [61311QOA4](#) [61311T0D6](#) [61311TOA6](#) [61311TOA7](#) [61311TOB3](#) [61311TOB4](#) [61311U0A6](#) [61312Q600](#) [61312T400](#) [61312T600](#) [61313U200](#)