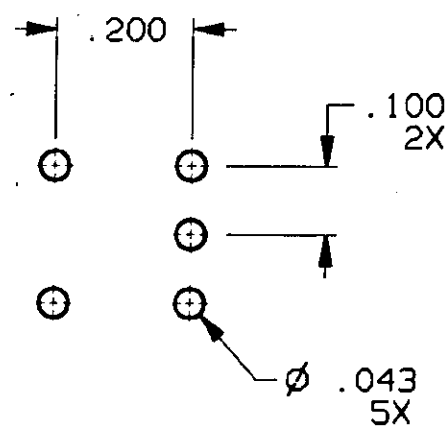
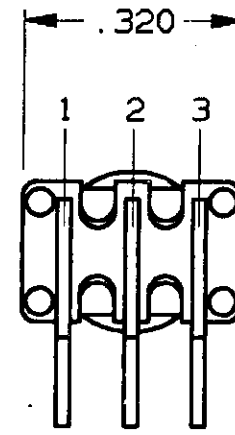
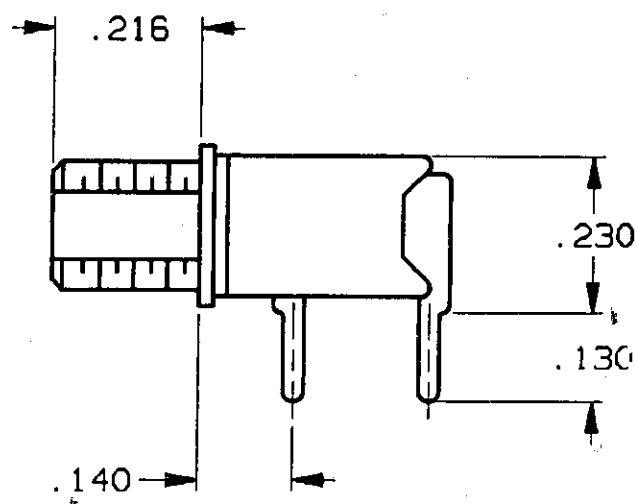
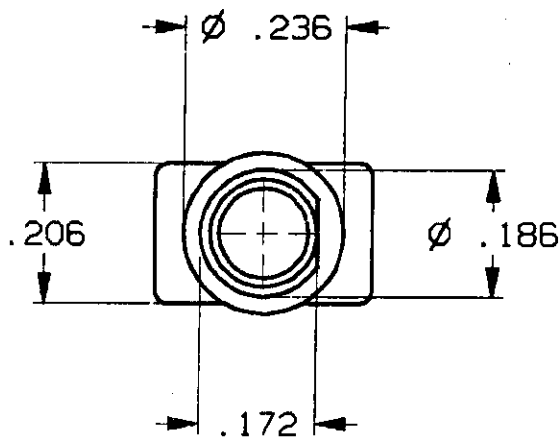
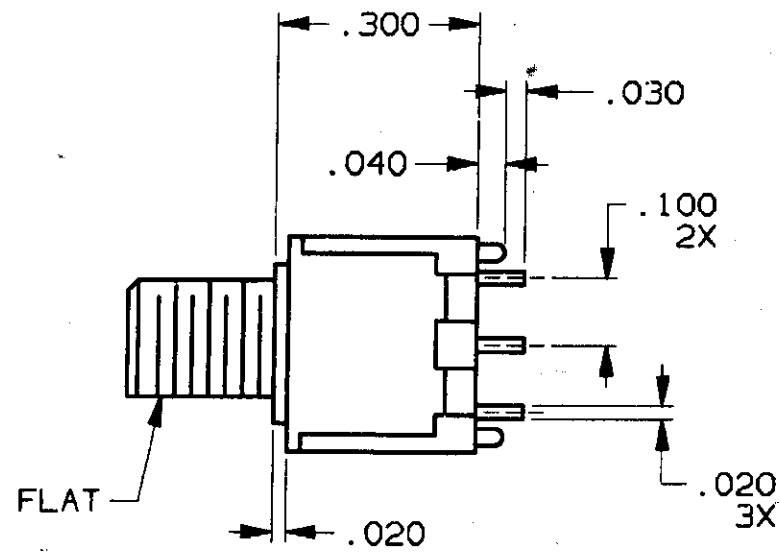


CONVERSION CHART	
INCH	MM
.002	0.05
.010	0.25
.020	0.51
.030	0.76
.040	1.02
.043	1.09
.100	2.54
.130	3.30
.140	3.56
.172	4.37
.186	4.72
.206	5.23
.216	5.49
.230	5.84
.236	5.99
.300	7.62
.320	8.13



RECOMMENDED HOLE LAYOUT

TOLERANCE ± .002 UNLESS OTHERWISE NOTED

SPECIFICATIONS:

MATERIALS:
CASE: HIGH TEMPERATURE POLYESTER.
ACTUATOR BUTTON: POLYAMIDE, COLOR: SEE CHART BELOW.
MOVING CONTACT: COPPER ALLOY, GOLD OVER NICKEL PLATE.
FIXED CONTACT/TERMINAL: COPPER ALLOY, TIN/LEAD PLATE.
TERMINAL SEAL: EPOXY.

ELECTRICAL:
CONTACT RATING: 0.4 VA MAX. @ 20 VDC OR PEAK AC.
INITIAL CONTACT RESISTANCE: 20 MILLIOHMS MAX.
INSULATION RESISTANCE: 1,000 MEGOHMS 500 VDC MIN.
DIELECTRIC STRENGTH: 1,000 VOLTS RMS @ SEA LEVEL.
LIFE EXPECTANCY: 100,000 CYCLES.

MECHANICAL:
ACTUATION FORCE: 50 TO 400 GRAMS.
ACTUATION TRAVEL: .030"

ENVIRONMENTAL:
OPERATING TEMPERATURE: -22°F TO +149°F (-30°C TO +65°C).
STORAGE TEMPERATURE: -22°F TO +149°F (-30°C TO +65°C).

NOTES:

1. INTERPRET DRAWING PER ANSI Y14.5M-1982.

(*)	ACTUATOR BUTTON COLORS
(0)	BLACK
(2)	RED
(6)	BLUE

TERMINALS CONNECTED WHEN TOGGLE IN POSITIONS SHOWN.		
MODEL NO.		
TPBF11FG-RA-(*)	2 TO 1 (MOM)	2 TO 3
NOTE: DESIGNATION NUMBERS ARE FOR REFERENCE ONLY AND DO NOT APPEAR ON THE SWITCHES.		

CUSTOMER DRAWING		SPECIFICATIONS ARE SUBJECT TO CHANGES WITHOUT NOTICE	
THIRD ANGLE PROJECTION	UNLESS OTHERWISE SPECIFIED DIMENSIONS ARE IN INCHES DO NOT SCALE PRINT	ORIGINAL DATE OF DRAWING: 10-3-96	PROJECT:
TOLERANCES (EXCEPT AS NOTED) ANGULAR = ± DECIMAL .XX = ± DECIMAL .XXX = ±.010 DECIMAL .XXXX = ±	MATERIAL: SEE SPECIFICATIONS	DRAWN: S.KIRCORIAN DATE: 10-3-96	APPROVED:
AUGAT CONFIDENTIAL This document contains information which is the exclusive property of Augat Inc. Distribution, reproduction or use by others is not permitted without the	FINISH: SEE SPECIFICATIONS	CHECKED:	DATE:
		CODE IDENT. NO. 91506	DWG. SIZE C

AUGAT D/N 40312	
THIS IS A C.A.D. GENERATED DRAWING. DO NOT MAKE MANUAL REVISIONS TO MASTER.	
TYCO ELECTRONICS	
TITLE: CUSTOMER DRAWING SUBMINIATURE PUSHBUTTON SWITCH (TPBF SERIES)	
DWG. NO. 9-1437571-9	REV. A

REV	A
REVISIONS	0G3C-0173-02

X-ON Electronics

Largest Supplier of Electrical and Electronic Components

Click to view similar products for [Pushbutton Switches](#) category:

Click to view products by [TE Connectivity](#) manufacturer:

Other Similar products are found below :

[LW1L-M1C10V-A](#) [LW2L-A1C20M-GD](#) [LW2L-M1C20M-A](#) [60324L](#) [M7E-HRN2](#) [67021K512](#) [67081K512X](#) [701PB580](#) [719-5504-000](#)
[MDPSSGLFS](#) [810KSV30B](#) [MML21KA3ABK](#) [MML23KA3AC05K-001](#) [MML23KW3AA01W](#) [8418K2](#) [8646AB6X718UL](#) [8646ABUL](#)
[FSDWH](#) [9001KXRK](#) [9001T8BK](#) [9533CD4+U574+U4922](#) [1203MRA](#) [A22EM01S](#) [A595](#) [1202A6](#) [12037A2ULCSA](#) [1203A2UL](#) [ABD122N-](#)
[B](#) [1211390004](#) [ABN111-Y](#) [ABN400-R](#) [1211500044](#) [1211580012](#) [1212MRA](#) [1232A6NF](#) [RA3CSH6A](#) [1241.1183.7047](#) [1241.2511](#)
[1241.3428](#) [1223A2ULCSA](#) [1223MRA](#) [1232AX2119](#) [1241.1183.8000](#) [1241.1183.8029](#) [1241.2506](#) [1241.2606](#) [12MA6](#) [1301940184](#)
[RELBARF6X10\(PLASTIC\)](#) [13435AG](#)