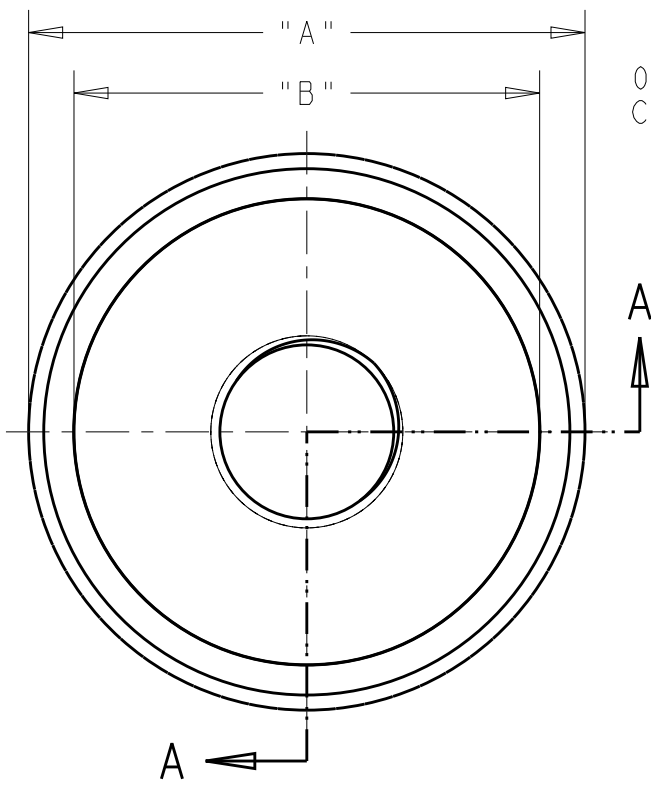
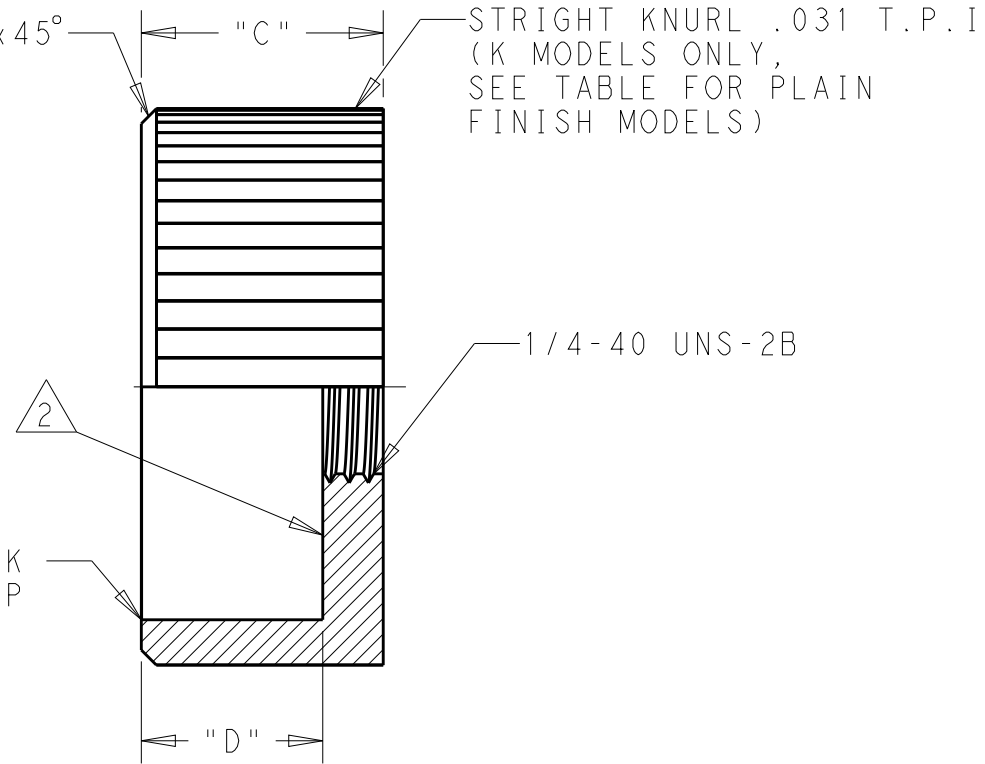


THIS DRAWING IS UNPUBLISHED. RELEASED FOR PUBLICATION 20
 © COPYRIGHT 20 BY - ALL RIGHTS RESERVED.

REVISIONS					
P	LTR	DESCRIPTION	DATE	DWN	APVD
	99	INITIAL RELEASE	10MAR2017	SK	SS



0.50 [.020] x 45°
CHAMFER



NOTE:

1. $\sqrt[32]{}$ FINISH OR BETTER.
2. BLACK ANODIZED GUARDS MAY HAVE A SMALL AREA ON THE INNER SURFACE WHERE THERE IS NO ANODIZE DUE TO THE ANODIZING PROCESS.

BUTTON GUARD G-13-K SECTION A-A SHOWN

6.00 [.236]	8.00 [.315]	15.4 [.610]	18.4 [.728]	CHROME PLATED, KNURL	BRASS	G-13-KC	9-1437627-2
				BLACK ANODIZE, KNURL	ALUMINUM 5056-H18	G-13-KB	9-1437627-1
				CLEAR ANODIZE, KNURL	ALUMINUM 5056-H18	G-13-KA	9-1437627-0
				CHROME PLATED, PLAIN	BRASS	G-13-C	8-1437627-9
				BLACK ANODIZE, PLAIN	ALUMINUM 5056-H18	G-13-B	8-1437627-8
				CLEAR ANODIZE, PLAIN	ALUMINUM 5056-H18	G-13-A	8-1437627-7
6.00 [.236]	8.00 [.315]	10.4 [.413]	13.4 [.531]	CHROME PLATED, KNURL	BRASS	G-12-KC	8-1437627-6
				BLACK ANODIZE, KNURL	ALUMINUM 5056-H18	G-12-KB	8-1437627-5
				CLEAR ANODIZE, KNURL	ALUMINUM 5056-H18	G-12-KA	8-1437627-4
				CHROME PLATED, PLAIN	BRASS	G-12-C	8-1437627-3
				BLACK ANODIZE, PLAIN	ALUMINUM 5056-H18	G-12-B	8-1437627-2
				CLEAR ANODIZE, PLAIN	ALUMINUM 5056-H18	G-12-A	8-1437627-1
DIM "D"	DIM "C"	DIM "B"	DIM "A" ±0.30 [.012]	FINISH	MATERIAL	MODEL NO.	TE PART NUMBER

THIS DRAWING IS A CONTROLLED DOCUMENT.

DIMENSIONS: mm [INCH]	TOLERANCES UNLESS OTHERWISE SPECIFIED:
	0 PLC ±-
	1 PLC ±-
	2 PLC ±-
	3 PLC ±0.13 [.005]
	4 PLC ±-
	ANGLES ± 1/2°
MATERIAL SEE TABLE	FINISH SEE TABLE

DWN	10MAR2017
SHIVAKUMAR S S	
CHK	10MAR2017
SANJAY SHINDIKAR	
APVD	10MAR2017
SANJAY SHINDIKAR	
PRODUCT SPEC	-
APPLICATION SPEC	-
WEIGHT	-
CUSTOMER DRAWING	

STE TE Connectivity

NAME: BUTTON GUARD

SIZE	CAGE CODE	DRAWING NO	RESTRICTED TO
A3	-	1437627	-

SCALE: 2:1 SHEET: 1 OF 1 REV: 99

X-ON Electronics

Largest Supplier of Electrical and Electronic Components

Click to view similar products for [Switch Fixings](#) category:

Click to view products by [TE Connectivity](#) manufacturer:

Other Similar products are found below :

[893102000](#) [00-5150](#) [LZZ1A](#) [0098.9234](#) [61-9451.0](#) [M2PA-5011](#) [630155](#) [635401](#) [6PA113](#) [6PA147-E6](#) [6PA148-E6](#) [6PA32](#) [6PA9](#) [700106](#)
[700109](#) [700303A56](#) [700C1GRY](#) [700C2GRN](#) [704-6001](#) [704.960.9](#) [704.965.2](#) [704.965.6](#) [704.966.0](#) [7089-3](#) [710082-B11](#) [71M1048](#)
[757200264](#) [764300000](#) [MHU35](#) [MHU37](#) [807039-1](#) [825.003.011](#) [825.005.011](#) [825.053.011](#) [825.055.011](#) [826.000.071](#) [827.020.011](#)
[827.400.021](#) [835.900.023](#) [MML52C10C](#) [MML52E10C](#) [MML92HGH](#) [MML93K](#) [84211M02CNNS](#) [84212M02CNNS](#) [84217A8.0LNOS](#)
[842.500.011](#) [843187-000](#) [843487-000](#) [84-901](#)