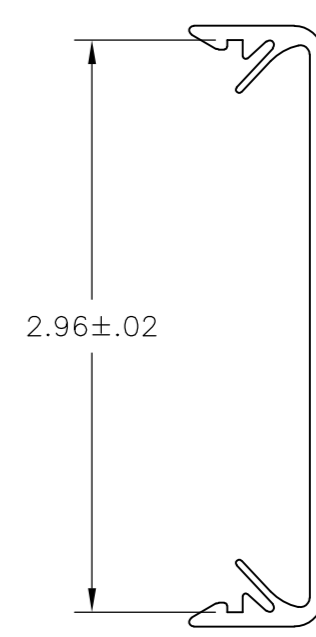
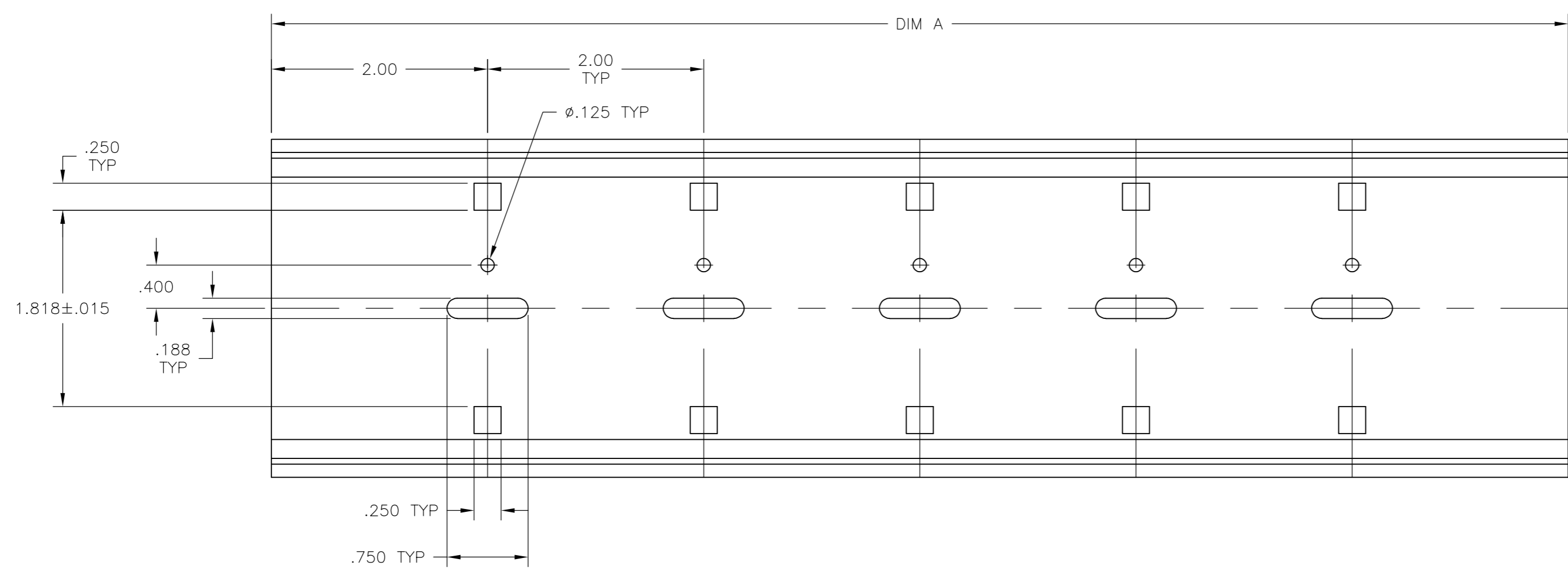


THIS DRAWING IS UNPUBLISHED. RELEASED FOR PUBLICATION  
 © COPYRIGHT - By - ALL RIGHTS RESERVED.

LOC		DIST		REVISIONS			
P	LTR	DESCRIPTION	DATE	DWN	APVD		
	C	REVISED PER ECO-13-011850	13NOV2013	KH	MB		

- 1 ALL DIMENSIONS ARE ±.015 UNLESS OTHERWISE NOTED.
- 2 MATERIAL: RIGID, PVC, COLOR: GRAY
- 3 RECOMMENDED PC BOARD WIDTH 3.00"



	48.00	TK2D-48	9-1437685-1
OBSOLETE	24.00	TK2D-24	8-1437685-9
OBSOLETE	12.00	TK2D-12	8-1437685-8
	DIM A	CATALOG NUMBER	PART NUMBER

THIS DRAWING IS A CONTROLLED DOCUMENT.		DWN	S SCHLEGEL	5/6/09	<b>TE</b> TE Connectivity
		CHK	C RICARD	5/6/09	
		APVD	C RICARD	5/6/09	
		PRODUCT SPEC			
DIMENSIONS: INCHES	TOLERANCES UNLESS OTHERWISE SPECIFIED:	NAME		TK2D SNAPTRACK	
	0 PLC ± -	SIZE	A2	CAGE CODE	00779
	1 PLC ± -	WEIGHT	-	DRAWING NO	C=8-1437685-8
	2 PLC ± .02	CUSTOMER DRAWING	SCALE	NTS	SHEET 1 of 1
	3 PLC ± .005		REV	C	
4 PLC ± -					
ANGLES ± 1°					
MATERIAL -	FINISH -				

## X-ON Electronics

Largest Supplier of Electrical and Electronic Components

*Click to view similar products for [Terminal Block Tools & Accessories](#) category:*

*Click to view products by [TE Connectivity](#) manufacturer:*

Other Similar products are found below :

[00171430102](#) [00171420102](#) [600HL](#) [600RJ-07](#) [600RJ-11](#) [600RJ-14](#) [600RJS-10](#) [600RJS-12](#) [600RJS-15](#) [600RJS-21](#) [601RJ-09](#) [602SP](#) [602Z](#)  
[604J](#) [CSTSPC1-2](#) [7B941-7](#) [88943-2100](#) [QC102](#) [1437403-6](#) [1437403-9](#) [1437403-8](#) [1453128-1](#) [147832-1](#) [EC0037-000](#) [MT2/H--](#) [MT6/H-N](#)  
[MT6/V-GRND](#) [MT8/H-51-60](#) [BC2-12](#) [BCC-1-8/10](#) [EP2.5/4UN/BG](#) [1707755](#) [1735590](#) [1755480](#) [1789281](#) [1840227](#) [1840230](#) [2-1437402-1](#)  
[JA2-03](#) [JB1-03/J](#) [JB2-04](#) [JB2-05](#) [JB2-07](#) [JB2-09/J](#) [PARALLELJUMPERLINK](#) [JS601](#) [2204082](#) [2302463](#) [2305949](#) [8PCV-BUSHING](#)