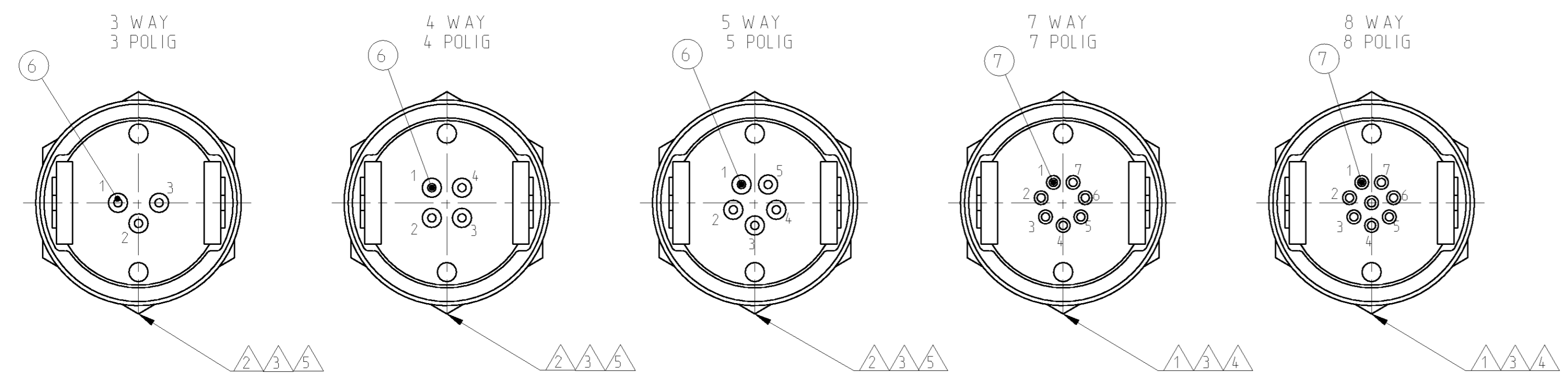
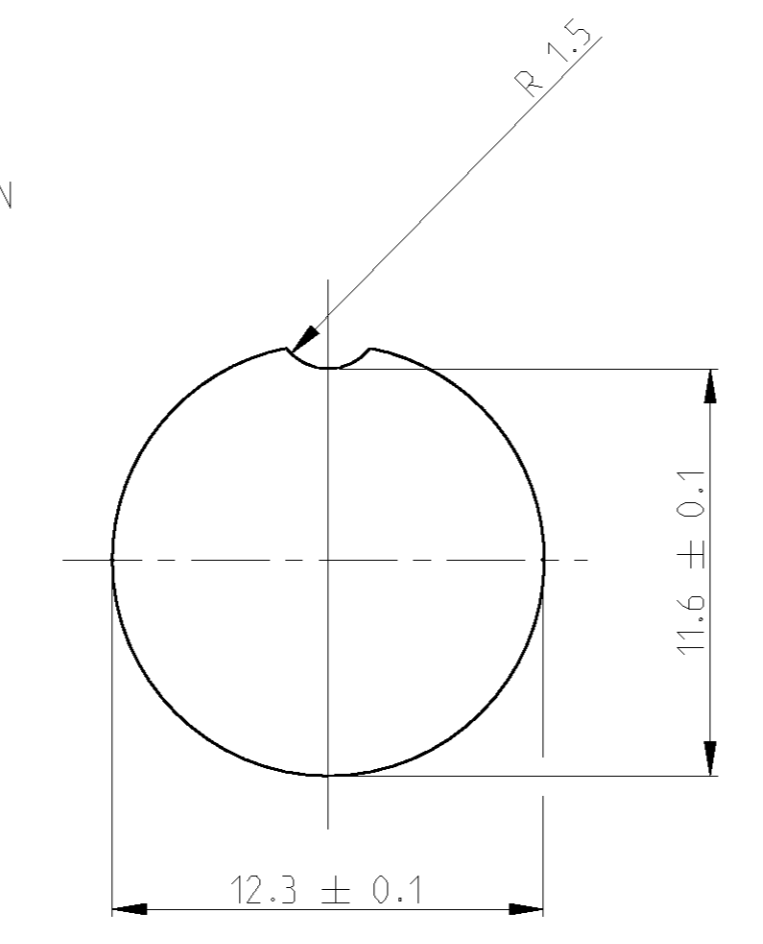
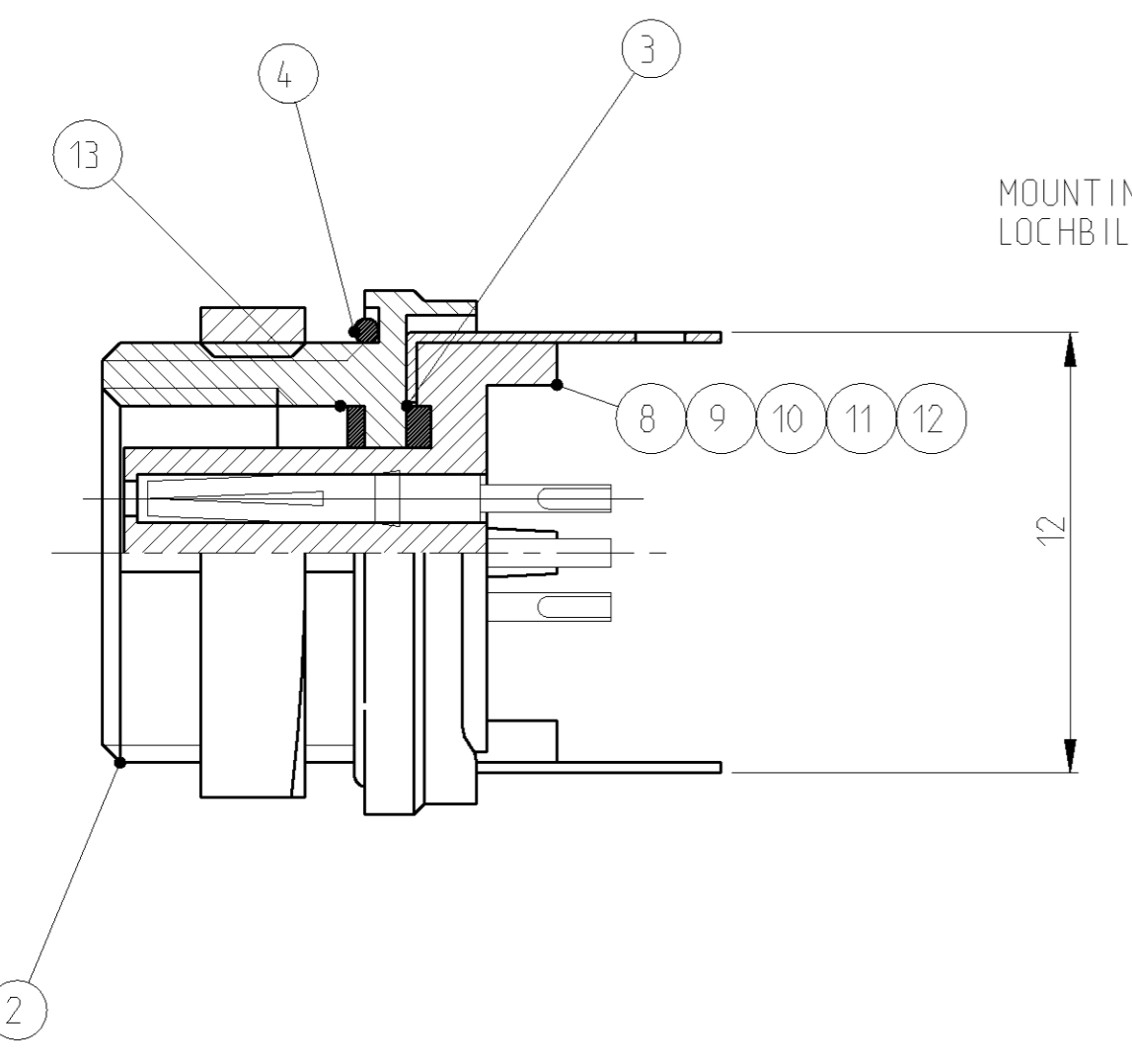
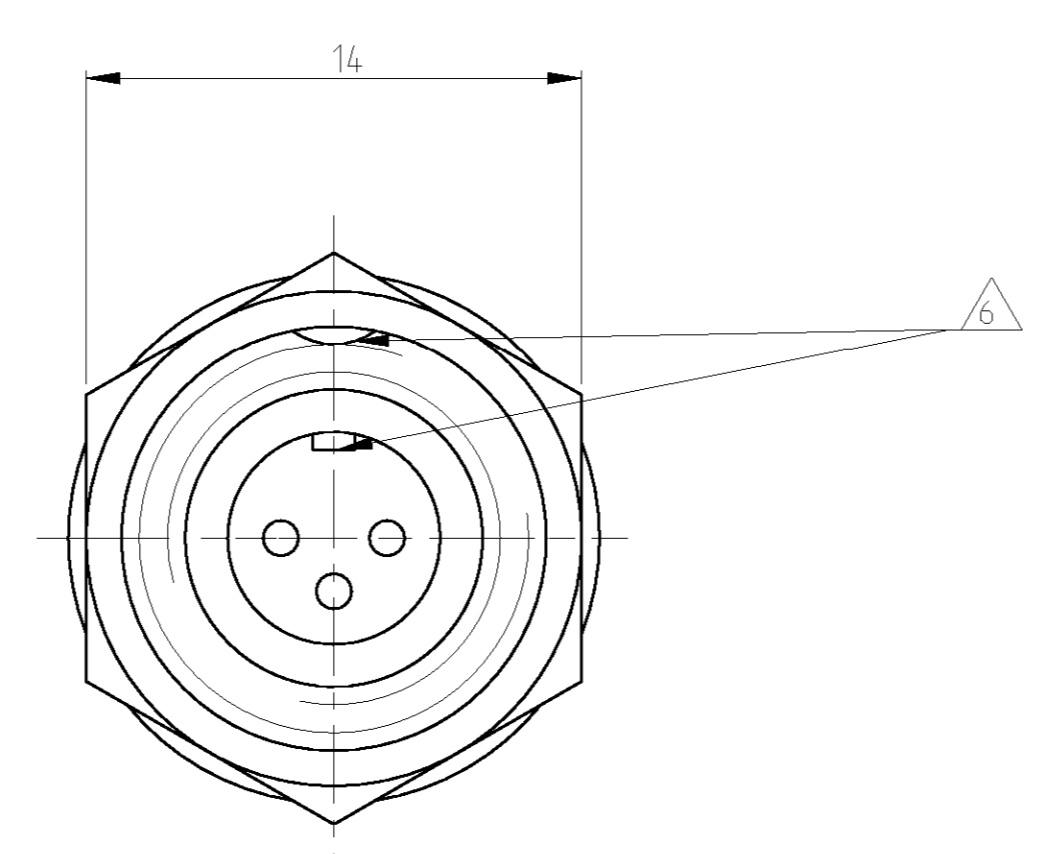
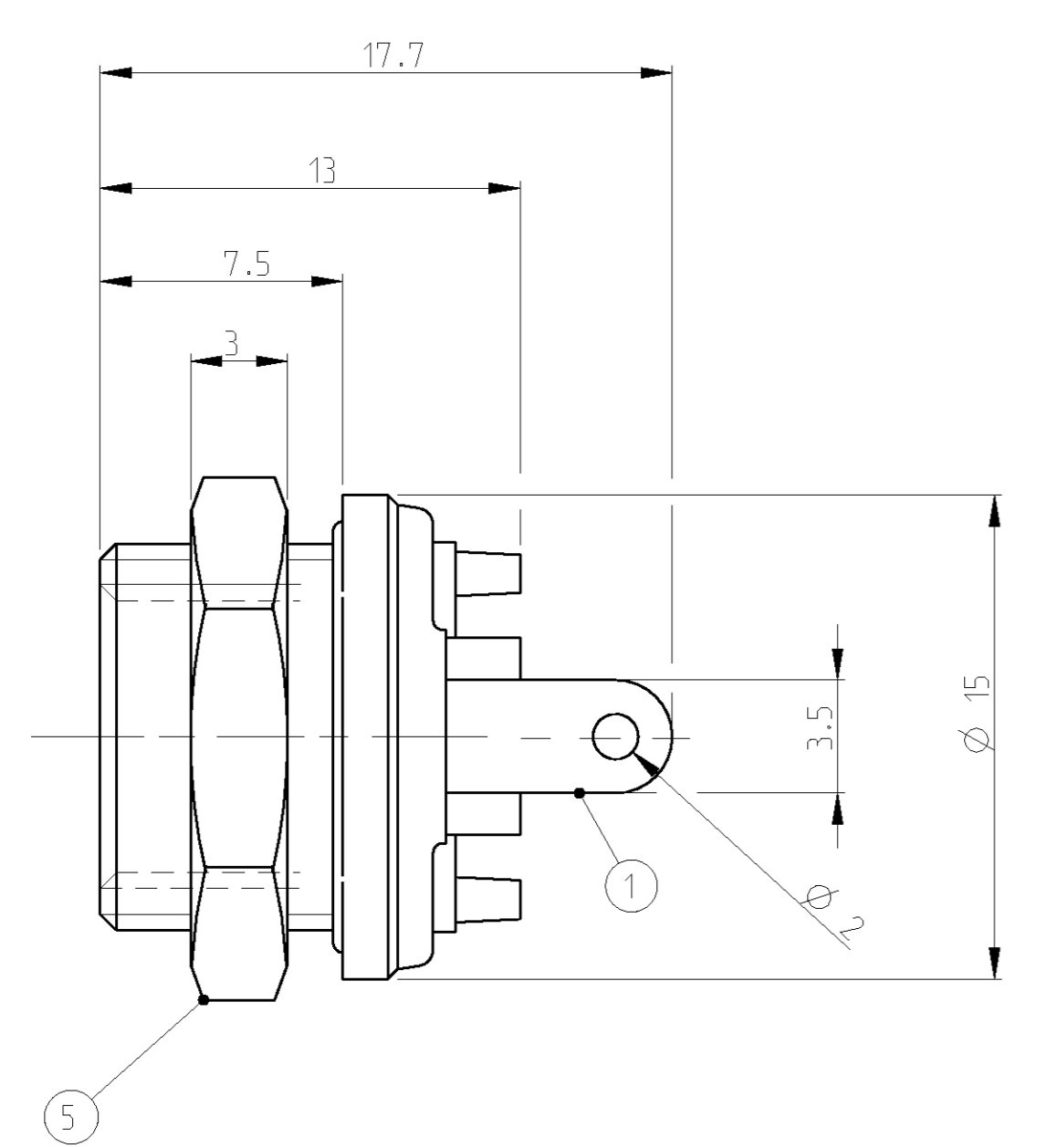


LOC	QTY	REV	DATE	BY	CHK	APPV
A1	-	-	19 JUN 2001	NG	GF	



MATERIAL / MATERIAL: PBT, UL-94 V2	△
SHELL MATERIAL / GEHAUSEMATERIAL: CUZN	
FINISH / BESCHICHTUNG: TRIBOR 4 µm	
CODING / KODIERUNG	△
WIRE GAGE / DRAHTGROESSE IN mm ² : 0.25	△
WIRE GAGE / DRAHTGROESSE IN mm ² : 0.14	△
CONTACT RESISTANCE / KONTAKTWIDERSTAND: => 5 mΩ	△
RATED CURRENT PER CONTACT / NENNSTROM PRO KONTAKT: 3 A	△
RATED CURRENT PER CONTACT / NENNSTROM PRO KONTAKT: 1 A	△
SHELL PROTECTION CLASS / SCHUTZKLASSE: IP 65 / DIN 40050	
TERMINATION: SOLDERING / VERBINDUNG: LOETKONTAKTE	
TEST VOLTAGE / PRUEFSPANNUNG: 500 VAC	
OPERATING VOLTAGE / BETRIEBSSPANNUNG: 60 VAC	
OPERATING TEMPERATURE: -40°C TO +80°C / ARBEITSTEMPERATUR: -40°C BIS +80°C	
MATING CYCLES / STECKZYKLEN: 500 MAX.	
TECHNICAL DATA TECHNISCHE DATEN	



CATALOG-NO.	QTY REQD PER ASSY	DESCRIPTION / BESCHREIBUNG	ITEM-NO. TEIL-NR.
0-1437720-9	1	SEAL / DICHTUNG	13
0-1437720-6	1	INSULATION TUBE 8 POS. / ISOLIERHUELSE 8 POL.	12
0-1437720-3	1	INSULATION TUBE 7 POS. / ISOLIERHUELSE 7 POL.	11
9-1437719-9	1	INSULATION TUBE 5 POS. / ISOLIERHUELSE 5 POL.	10
9-1437719-6	1	INSULATION TUBE 4 POS. / ISOLIERHUELSE 4 POL.	9
	1	INSULATION TUBE 3 POS. / ISOLIERHUELSE 3 POL.	8
8	7	SOCKET APPLIED BY PRESSURE / BUCHSENKONTAKT EINGEPRESST	7
	5	SOCKET APPLIED BY PRESSURE / BUCHSENKONTAKT EINGEPRESST	6
1	1	NUT / MUTTER	5
1	1	SEAL / DICHTUNG	4
1	1	SEAL / DICHTUNG	3
1	1	HOUSING / GEHAUSE	2
1	1	GROUND ON PCB SPRING / VERBINDUNGSFEDER ZUR PCB MASSE	1
REVISION OF EACH ASSY NO. (WHEN BLANK, USE DWG REV.)			
QTY REQD PER ASSY		DESCRIPTION / BESCHREIBUNG	ITEM-NO. TEIL-NR.
T01-0580-S08			
T01-0580-S07			
T01-0580-S05			
T01-0580-S04			
T01-0580-S03			
PARTS LIST / TEILE LISTE			

AS SHOWN
9-1437719-6 WIE GEZEICHNET

DIMENSIONS: MASSENMEN (mm) TOLERANCES: UNLESS OTHERWISE SPECIFIED: ALLE DIMENSIONEN 9 PLC ±0.3 1 PLC ±0.3 2 PLC ±0.3 3 PLC ±0.3 4 PLC ±0.3 5 PLC ±0.3 6 PLC ±0.3 7 PLC ±0.3 8 PLC ±0.3 9 PLC ±0.3 10 PLC ±0.3 11 PLC ±0.3 12 PLC ±0.3 13 PLC ±0.3 MATERIAL: - FINISH: - WEIGHT: - CUSTOMER DRAWING	DWN: H. SCHERER CBY: H. SCHERER APVD: H. SCHERER DATE: 19 JUN 2001 PRODUCT SPEC: - APPLICATION SPEC: - DRAWING NO.: 9-1437719-6 SCALE: - SHEET: 1 OF 1 REV: A1	tyco Electronics tyco Electronics AMP GmbH D - 64625 Bensheim NAME: T01 FEMALE PLUS CONN. PANEL MNT. SOLDER VER. 3-8 POS. 180 DGR. T01 BUCHSENSTECKER, EINH. AUJ. LOETVERSION 3-8 POL. 180 GRAD SIZE: - CAGE CODE: 00779 DRAWING NO.: 9-1437719-6 RESTRICTED TO: - SHEET: 1 OF 1 REV: A1
---	---	---

X-ON Electronics

Largest Supplier of Electrical and Electronic Components

Click to view similar products for [Standard Circular Connector](#) category:

Click to view products by [TE Connectivity](#) manufacturer:

Other Similar products are found below :

[C015](#) [10F006](#) [001](#) [1](#) [5M2530B10P](#) [600259N006](#) [600273N007](#) [600432N009](#) [6280-2PG-519](#) [6280-3PG-311](#) [6280-3SG-311](#) [6280-7SG-3DC](#)
[6280-7SG-522](#) [6282-5PG-311](#) [6282-6PG-519](#) [6282-8SG-311](#) [6283-11](#) [6283-15](#) [6290](#) [6382-2PG-311](#) [6382-2PG-3DC](#) [6382-2SG-321](#) [6382-2SG-3DC](#) [6382-4SG-516](#) [67-03E20-37P](#) [681-PMG](#) [CXS3102A14S2P](#) [CXS3102A181S](#) [CXS3106A14S6S](#) [MB12P-1](#) [MB12R-6](#) [7251-2PG-300](#) [7251-2SG-300](#) [7251-4PG-300](#) [7251-4SG-300](#) [7251-5PG-300](#) [7251-5SG-300](#) [7251-6SG-300](#) [7251-7PG-300](#) [7251-8PG-300](#) [7271-6SG-300](#) [7282-3PG-300-CH3](#) [73000005663](#) [75-190216-08S](#) [75-190218-10P](#) [75-474118-10P](#) [75-474618-01S](#) [75-474620-07P](#) [799539-000](#) [MI8-SE](#) [80-190222-18P](#) [805-005-07NF11-19PC](#) [805-005-07NF15-7PA](#)