

THIS DRAWING IS UNPUBLISHED. RELEASED FOR PUBLICATION 2001
 BY - ALL RIGHTS RESERVED.

REVISIONS				
P	LTR	DESCRIPTION	DATE	APVD
C1		RE-ACTIVATED PARTS	17 MAY 06	RF GT
C2		REV PER ECO-09-026495	30NOV09	KK AEG
C3		ECR-10-026537	08JUL11	KK HMR

NOTES	MATERIAL	DESCRIPTION	SUPERSEDED BY P/N	TE P/N
SEE SHEET 5	MATERIAL: GLASSFIBER FILLED THERMOPLASTIC UL 94-V1 COLOUR: BLACK	PANEL MOUNT RECEPTACLE ASS'Y FOR SOCKET CONTACT	0-182920-1	7-1437723-6
-			-	7-1437723-4
-	MATERIAL: GLASSFIBER FILLED THERMOPLASTIC UL 94-V1 COLOUR: BLACK	PANEL MOUNT RECEPTACLE ASS'Y FOR PIN CONTACT	0-182641-1	4-1437723-0
-			0-211769-1	3-1437723-8
-			0-182921-1	0-1437723-9
-			0-182918-1	7-1437723-2
-			0-183075-1	7-1437723-0
-			0-183040-1	3-1437723-6
-			0-211767-1	0-1437820-7
-			0-182917-1	0-1437723-7
SEE SHEET 4	MATERIAL: GLASSFIBER FILLED THERMOPLASTIC UL 94-V1 COLOUR: BLACK	RECEPTACLE ASS'Y FOR SOCKET CONTACT	0-206306-2	6-1437723-9
-			-	6-1437723-8
-		RECEPTACLE ASS'Y FOR PIN CONTACT	0-206043-3	3-1437723-4
-			0-211769-3	3-1437723-3
-			0-183083-1	0-1437723-6
SEE SHEET 4			0-206151-2	0-1437820-5
SEE SHEET 4			0-206838-2	6-1437723-7
-			-	3-1437723-2
-			-	3-1437723-1
-			0-182919-1	0-1437723-5
-	SEE RELEVANT DRAWINGS	KEYING PLUG	0-183046-1	6-1437718-0
-	SEE RELEVANT DRAWINGS		0-183047-1	
SEE SHEET 3	MATERIAL: GLASSFIBER FILLED THERMOPLASTIC UL 94-V1 COLOUR: BLACK	PLUG ASS'Y FOR PIN CONTACT	0-182926-1	6-1437723-1
-			-	5-1437723-9
-			0-182649-1	2-1437723-5
-			0-211768-1	2-1437723-3
-			0-182651-1	0-1437723-1
-			0-182923-1	6-1437723-5
-			0-183073-1	6-1437723-3
-			0-183039-1	2-1437723-9
-			0-211766-1	2-1437723-7
-			0-182647-1	0-1437723-3
-	SEE RELEVANT DRAWINGS	PLUG ASS'Y FOR SOCKET CONTACT	0-054012-1	9-1437723-2
-	SEE RELEVANT DRAWINGS	STRAIN RELIEF	0-054011-1	4-1437723-3
-	SEE RELEVANT DRAWINGS		0-054010-1	0-1437820-8
-	SEE RELEVANT DRAWINGS	PANEL MOUNT SEALING GASKET	0-081665-5	1-1437727-5
-	SEE RELEVANT DRAWINGS		0-081665-2	7-1437726-0
-	SEE RELEVANT DRAWINGS		0-081665-3	2-1437726-9
-	SEE RELEVANT DRAWINGS	SEALING RING	0-206403-3	8-1437723-5
-	SEE RELEVANT DRAWINGS		0-206403-2	5-1437723-2
-	SEE RELEVANT DRAWINGS		0-206403-1	1-1437723-7
-	SEE RELEVANT DRAWINGS	SEALING CUP (RECEPTACLE)	0-208680-1	9-1437723-6
-	SEE RELEVANT DRAWINGS		0-208652-1	9-1437723-1
-	SEE RELEVANT DRAWINGS		0-208800-1	1-1437723-2
SEE SHEET 2	MATERIAL: GLASSFIBER FILLED THERMOPLASTIC UL 94-V1 COLOUR: BLACK	SEALING CAP (PLUG)	-	9-1437723-7
-			0-183041-1	9-1437723-8
-	MATERIAL: GLASSFIBER FILLED THERMOPLASTIC UL 94-V1 COLOUR: BLACK	BACKSHELL PG THREAD	0-183042-1	1-1437723-1
-			-	8-1437723-2
-			-	7-1437723-9
-			-	4-1437723-7
-			-	4-1437723-4
-			-	1-1437723-4
-			0-182930-1	8-1437723-6
-			0-182652-1	8-1437723-8
-	SEE RELEVANT DRAWINGS	BACKSHELL CABLE CLAMP	0-182661-1	5-1437723-6
-			0-182655-1	5-1437723-3
-			0-182928-1	2-1437723-0
-			0-182658-1	1-1437723-8

3
 SUPERSEDED 2

3

3

- △ PARTS SUPERSEDED BY: CPC Series 1
SEE P/NS FOR REFERENCE
- △ OBSOLETE PARTS: OBSOLETE CIS STREAMLINING
PER D.RENAUD/D.SINISI
- △ OBSOLETE

THIS DRAWING IS A CONTROLLED DOCUMENT FOR TTD ELECTRONICS CORPORATION
 IT IS SUBJECT TO CHANGE AND THE CONTROLLING ENGINEERING ORGANIZATION
 SHOULD BE CONTACTED FOR THE LATEST REVISION.

DWN R. FABRIS 21SEP2001
 CHK C. TARTARI
 APVD -

STE TE Connectivity

NAME: CIRCULAR PLASTIC CONNECTOR T10 SERIES PLUGS, RECEPTACLES, ACCESSORIES

SIZE: A2 CAGE CODE: 00779 DRAWING NO: 1437723 RESTRICTED TO: -

MATERIAL: - FINISH: -

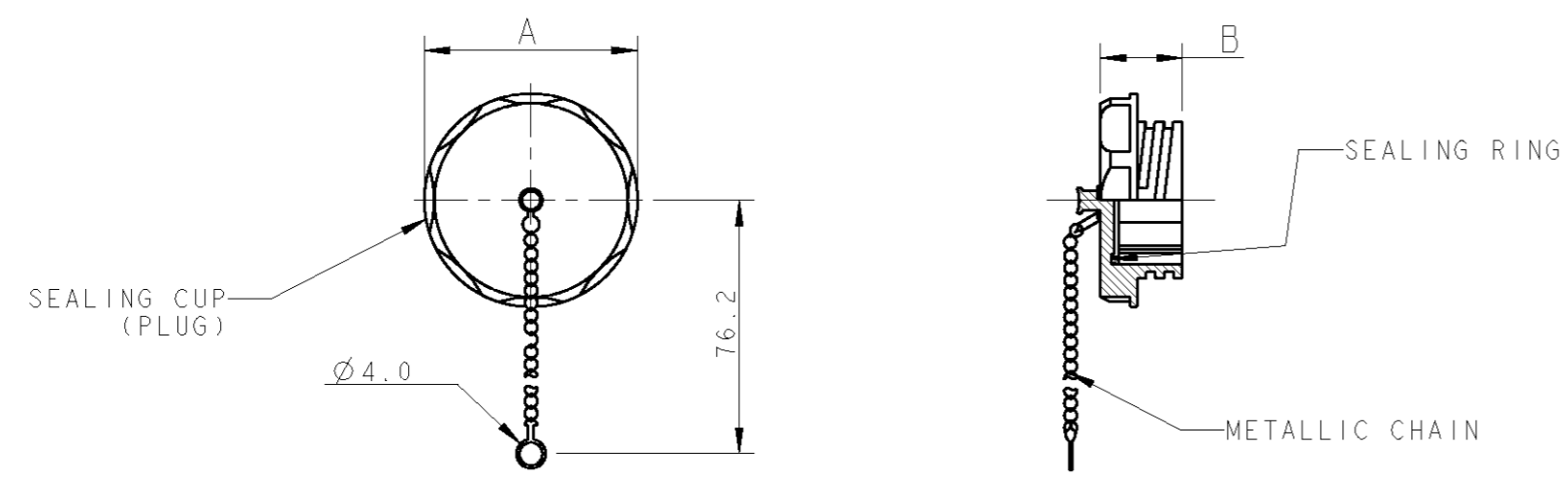
PRODUCT SPEC: -
 APPLICATION SPEC: -
 WEIGHT: -

CUSTOMER DRAWING SCALE: - SHEET 1 OF 5 REV C3

THIS DRAWING IS UNPUBLISHED. RELEASED FOR PUBLICATION 2001
 © COPYRIGHT 2001 BY - ALL RIGHTS RESERVED.

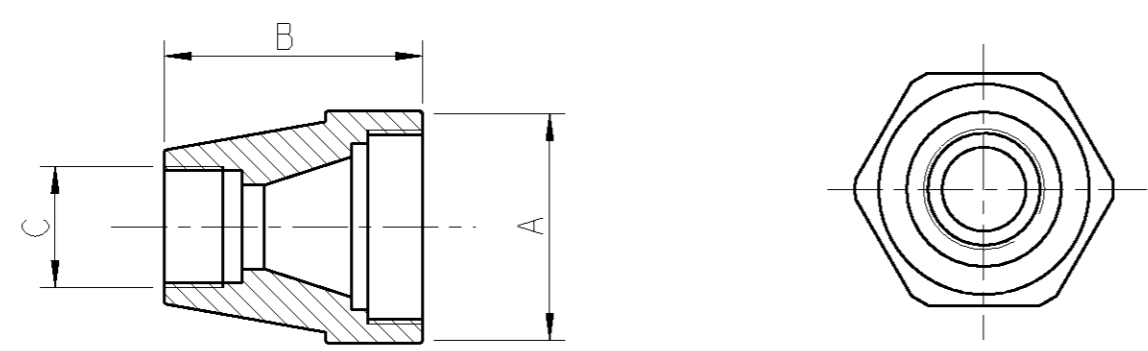
LOC	DIST	REVISIONS			
P	LTR	DESCRIPTION	DATE	DWN	APVD
-	-	SEE SHEET 1	-	-	-

SEALING CAP, PLUG



-	-	17.3	44.2	23	SEALING CAP, PLUG	9-1437723-7	A
---	---	------	------	----	-------------------	-------------	---

BACKSHELL WITH PG THREAD



-	PG21	43.0	40.0	23	BACKSHELL WITH PG THREAD	8-1437723-2	A
-	PG16	43.0	40.0		BACKSHELL WITH PG THREAD	7-1437723-9	A
-	PG13.5	43.0	30.0	17	BACKSHELL WITH PG THREAD	4-1437723-7	A
-	PG11	43.0	30.0		BACKSHELL WITH PG THREAD	4-1437723-4	A
-	PG9	43.0	21.5	11	BACKSHELL WITH PG THREAD	³ 1-1437723-4	A

CABLE Ø RANGE	C	B	A	SIZE	DESCRIPTION	TE P/N	REV
---------------	---	---	---	------	-------------	--------	-----

THIS DRAWING IS A CONTROLLED DOCUMENT FOR TEO ELECTRONICS CORPORATION IT IS SUBJECT TO CHANGE AND THE CONTROLLING ENGINEERING ORGANIZATION SHOULD BE CONTACTED FOR THE LATEST REVISION.

DWN: R. FABRIS 21SEP2001
 CHK: C. TARTARI
 APVD: -

TE TE Connectivity

NAME: CIRCULAR PLASTIC CONNECTOR T10 SERIES ACCESSORIES

SIZE: A2 CAGE CODE: 00779 DRAWING NO: 1437723 RESTRICTED TO: -

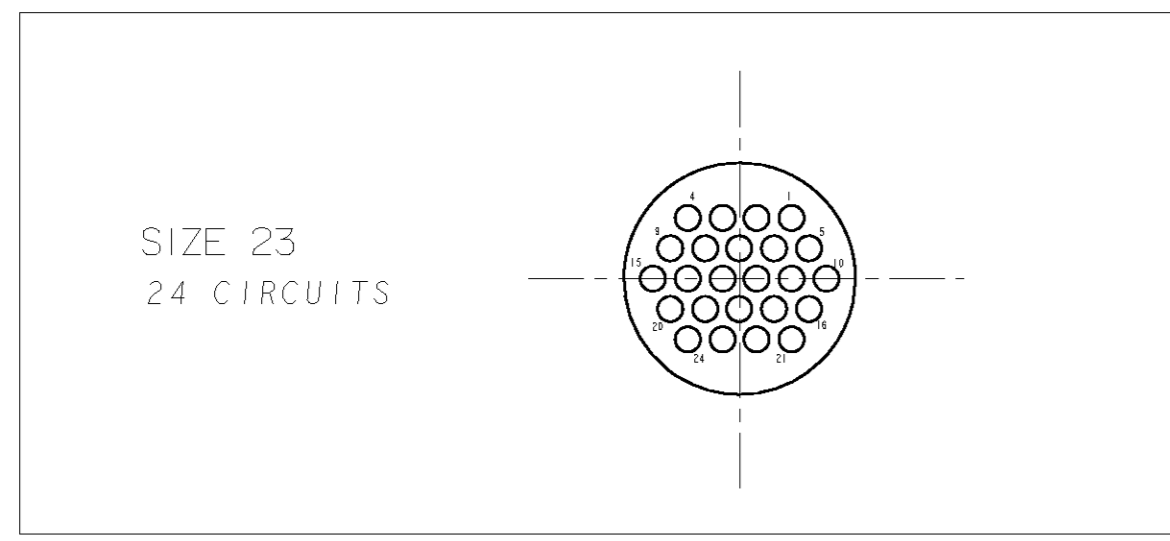
CUSTOMER DRAWING SCALE: - SHEET 2 OF 5 REV C3

DIMENSIONS: mm TOLERANCES UNLESS OTHERWISE SPECIFIED:
 0 PLC ±
 1 PLC ±0.3
 2 PLC ±
 3 PLC ±
 4 PLC ±
 ANGLES ±°
 MATERIAL: - FINISH: -

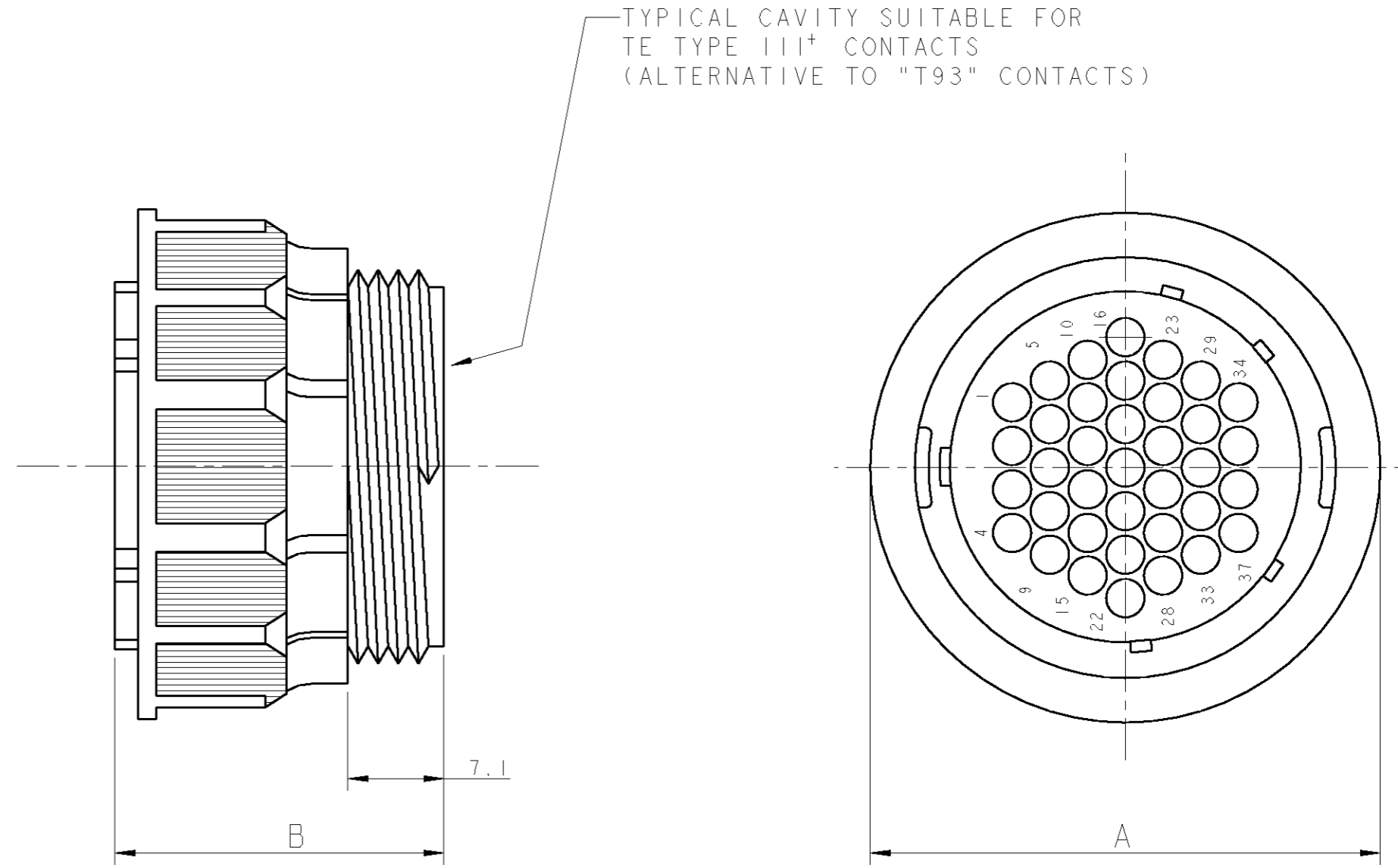
THIS DRAWING IS UNPUBLISHED. RELEASED FOR PUBLICATION 2001
 © COPYRIGHT 2001 BY - ALL RIGHTS RESERVED.

LOC	DIST	REVISIONS			
P	LTR	DESCRIPTION	DATE	DWN	APVD
-	-	SEE SHEET 1	-	-	-

CIRCUIT LAYOUT (View from "X")



"X" →



0-183047-1	3.6	34.0	44.5	24	23	PLUG ASS'Y FOR PIN CONTACT	5-1437723-9	A
KEYING PLUG (FOR REF. ONLY)	Ø MAX ALLOWABLE WIRE INS.	B	A	No. OF CIRCUITS	SIZE	DESCRIPTION	TE P/N	REV

THIS DRAWING IS A CONTROLLED DOCUMENT FOR TEO ELECTRONICS CORPORATION
 IT IS SUBJECT TO CHANGE AND THE CONTROLLING ENGINEERING ORGANIZATION
 SHOULD BE CONTACTED FOR THE LATEST REVISION.

DWN: R. FABRIS 21SEP2001
 CHK: C. TARTARI
 APVD: -

TE Connectivity

CIRCULAR PLASTIC CONNECTOR
 T10 SERIES
 PLUG ASS'Y

SIZE: A2 CAGE CODE: 00779 DRAWING NO: 1437723 RESTRICTED TO: -
 WEIGHT: - SCALE: - SHEET 3 OF 5 REV C3

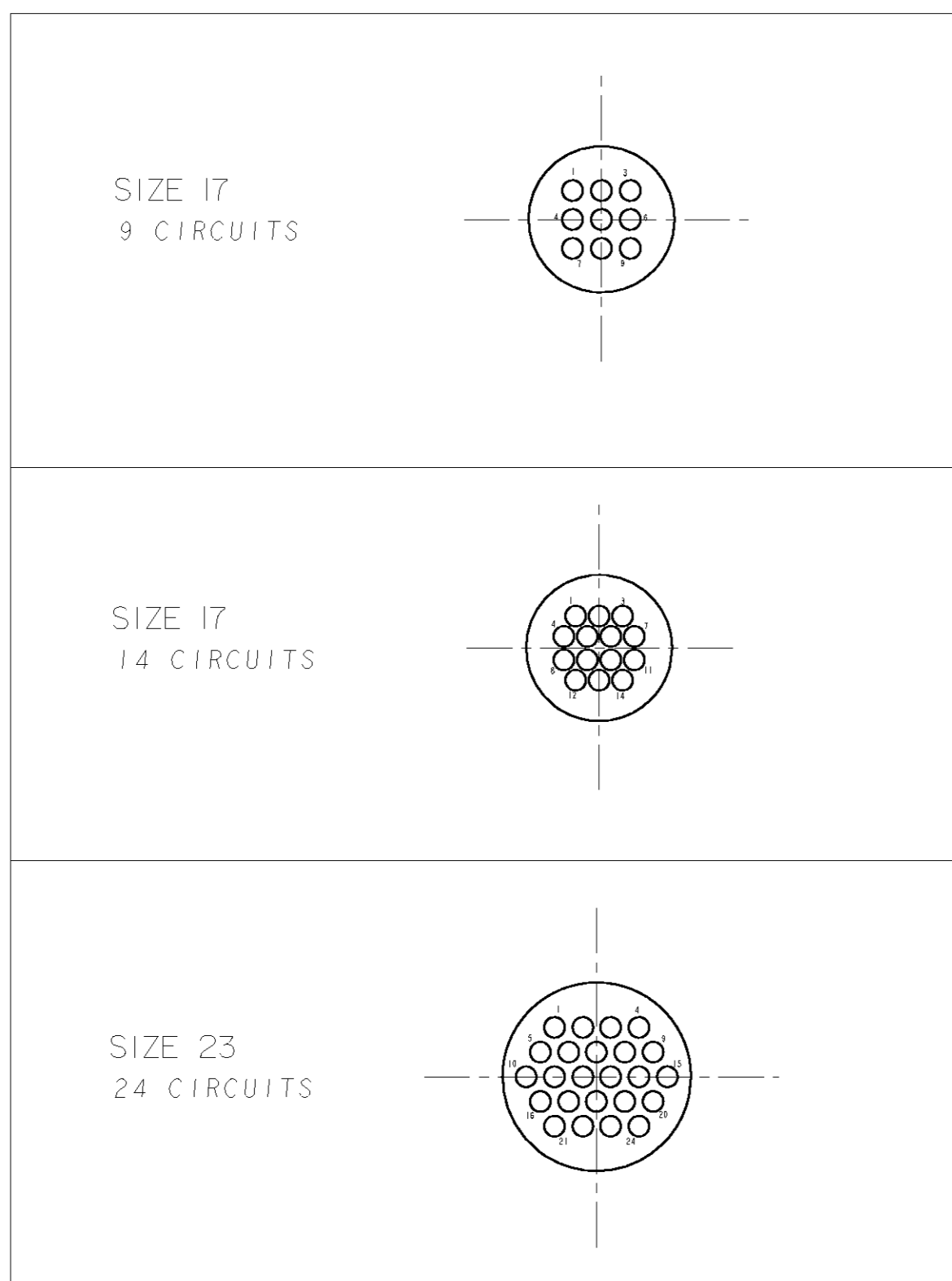
CUSTOMER DRAWING

DIMENSIONS:		TOLERANCES UNLESS OTHERWISE SPECIFIED:	
mm		0 PLC	±
		1 PLC	±0.3
		2 PLC	±
		3 PLC	±
		4 PLC	±
		ANGLES	±°
MATERIAL		FINISH	-

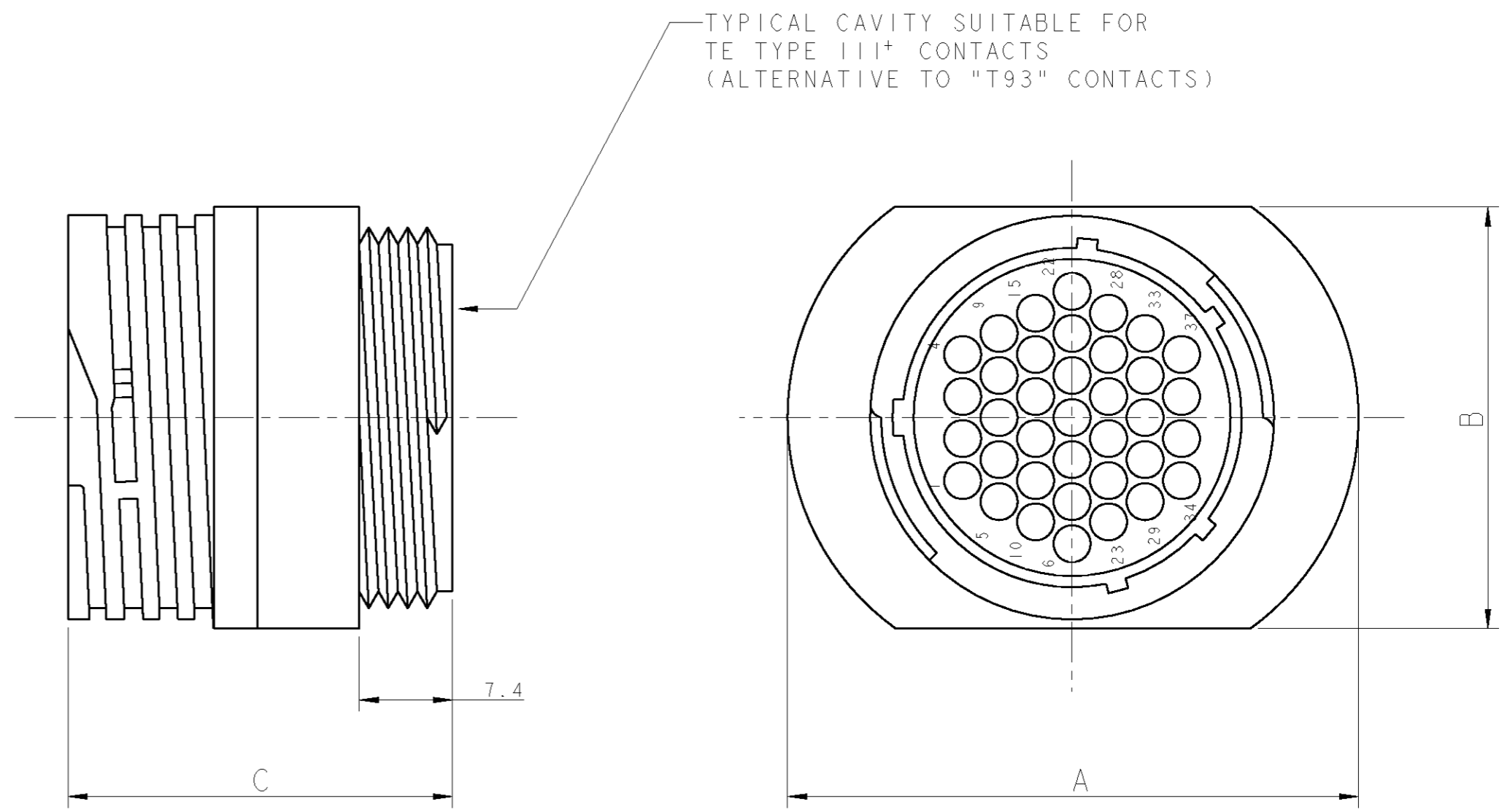
THIS DRAWING IS UNPUBLISHED. RELEASED FOR PUBLICATION 2001
 © COPYRIGHT 2001 BY - ALL RIGHTS RESERVED.

LOC	DIST	REVISIONS			
P	LTR	DESCRIPTION	DATE	DWN	APVD
-	-	SEE SHEET 1	-	-	-

CIRCUIT LAYOUT (View from "X")



"X" →



0-183046-1	3.6	26.9	37.8	43.9	24	23	RECEPTACLE ASS'Y FOR SOCKET CONTACT	3-1437723-0	A
0-183047-1	2.8	33.8	29.5	33.3	14	17	RECEPTACLE ASS'Y FOR PIN CONTACT	3-1437723-2	A
	3.6	33.8	29.5	33.3	9	17	RECEPTACLE ASS'Y FOR PIN CONTACT	3-1437723-1	A
KEYING PLUG (FOR REF. ONLY)	Ø MAX ALLOWABLE WIRE INS.	C	B	A	No. OF CIRCUITS	SIZE	DESCRIPTION	TE P/N	REV

THIS DRAWING IS A CONTROLLED DOCUMENT FOR TEO ELECTRONICS CORPORATION. IT IS SUBJECT TO CHANGE AND THE CONTROLLING ENGINEERING ORGANIZATION SHOULD BE CONTACTED FOR THE LATEST REVISION.

DWN: R. FABRIS 21SEP2001
 CHK: C. TARTARI
 APVD: -

STE TE Connectivity

NAME: CIRCULAR PLASTIC CONNECTOR T10 SERIES RECEPTACLE ASS'Y

SIZE: A2 CAGE CODE: 00779 DRAWING NO: 1437723 RESTRICTED TO: -

MATERIAL: - FINISH: - WEIGHT: -

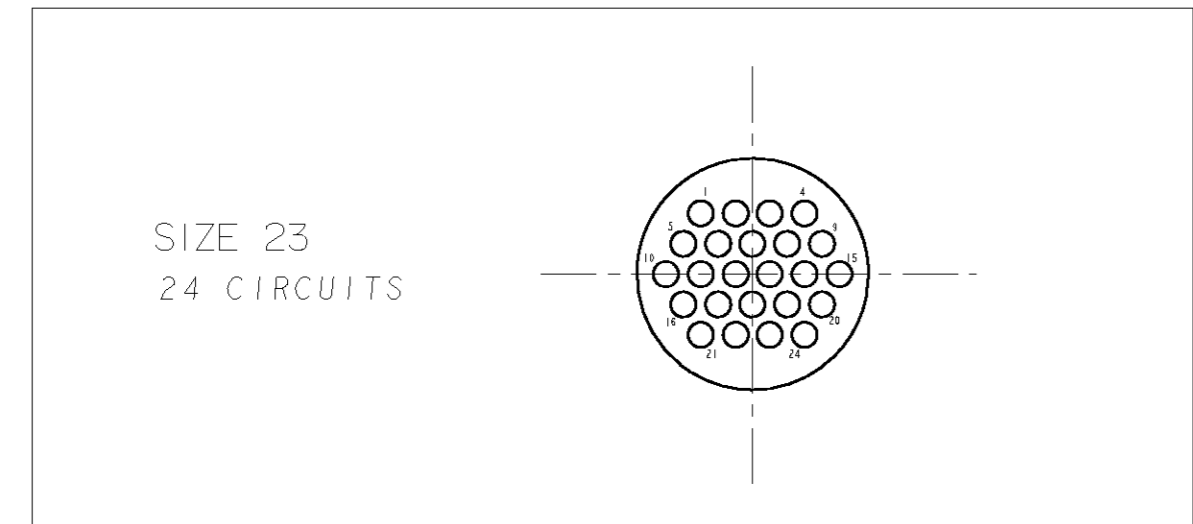
CUSTOMER DRAWING SCALE: - SHEET 4 OF 5 REV C3

DIMENSIONS:		TOLERANCES UNLESS OTHERWISE SPECIFIED:	
mm			
0 PLC	±		
1 PLC	±0.3		
2 PLC	±		
3 PLC	±		
4 PLC	±		
ANGLES	±°		

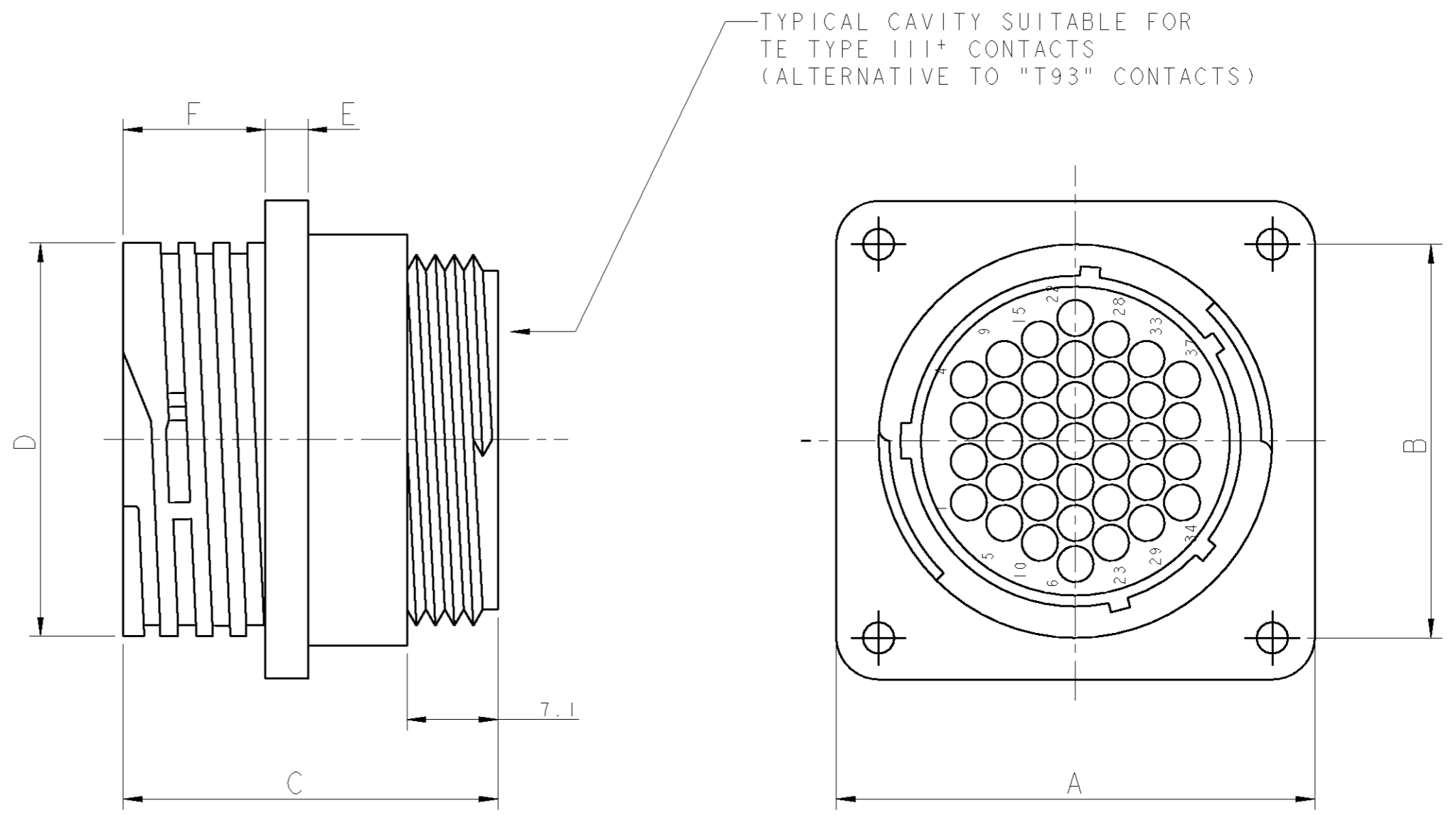
THIS DRAWING IS UNPUBLISHED. RELEASED FOR PUBLICATION 2001
 © COPYRIGHT 2001 BY - ALL RIGHTS RESERVED.

LOC	DIST	REVISIONS			
P	LTR	DESCRIPTION	DATE	DWN	APVD
-	-	SEE SHEET 1	-	-	-

CIRCUIT LAYOUT (View from "X")



"X" →



0-183046-1	3.6	13.5	4.1	36.3	26.9	36.6	44.5	38.6	24	23	PANEL MOUNT RECEPTACLE ASS'Y FOR SOCKET CONTACT	7-1437723-4	A
KEYING PLUG (FOR REF. ONLY)	Ø MAX ALLOWABLE WIRE INS.	F	E	D	C	B	A	PANEL CUT OUT Ø	No. OF CIRCUITS	SIZE	DESCRIPTION	TE P/N	REV

THIS DRAWING IS A CONTROLLED DOCUMENT FOR TEO ELECTRONICS CORPORATION IT IS SUBJECT TO CHANGE AND THE CONTROLLING ENGINEERING ORGANIZATION SHOULD BE CONTACTED FOR THE LATEST REVISION.

DWN: R. FABRIS 21SEP2001
 CHK: C. TARTARI
 APVD: -

TE TE Connectivity

NAME: CIRCULAR PLASTIC CONNECTOR T10 SERIES PANEL MOUNT RECEPTACLE ASS'Y

SIZE: A2 CAGE CODE: 00779 DRAWING NO: 1437723 RESTRICTED TO: -

CUSTOMER DRAWING SCALE: - SHEET 5 OF 5 REV C3

DIMENSIONS:		TOLERANCES UNLESS OTHERWISE SPECIFIED:	
mm		0 PLC ±	±°
		1 PLC ±0.3	
		2 PLC ±	
		3 PLC ±	
		4 PLC ±	
MATERIAL		FINISH	

X-ON Electronics

Largest Supplier of Electrical and Electronic Components

Click to view similar products for [Standard Circular Connector](#) category:

Click to view products by [TE Connectivity](#) manufacturer:

Other Similar products are found below :

[5M2530B10P](#) [600259N006](#) [600273N007](#) [6134-336-13149](#) [6134-337-11149](#) [6134-337-2390](#) [6134-341-17149](#) [6280-4SG-516](#) [6280-7SG-3DC](#)
[6290](#) [6291A](#) [66200A-10](#) [680-SMG](#) [681-PMG](#) [CXS3102A14S2P](#) [CXS3102A181S](#) [7251-5SG-300](#) [7271-6SG-300](#) [7282-3PG-300-CH3](#) [75-](#)
[474618-01S](#) [75-474618-04P](#) [75-474618-04S](#) [799539-000](#) [MI8-SE](#) [805-005-07NF11-19PC](#) [805-005-07NF15-7PA](#) [8280-4PG-516](#) [8280-7PG-](#)
[519](#) [8282-5PG-519](#) [836783-1](#) [MP-4102-25P-C](#) [862256-1](#) [864019-2](#) [866857-1](#) [867865-1](#) [PT01SP-14-18P](#) [PT08P-14-5S](#) [PTSF06SE-14-12S](#)
[120-1833-000](#) [QCM019PC2DC012B](#) [1-2069279-1](#) [121583-0217](#) [121667-0020](#) [129591AU](#) [1000B BULK](#) [RD10A16-19-P6CS051/1](#)
[RD10A20-31-P8CS051/1](#) [RD16A14-12-S6CS051/2](#) [1301240290](#) [1301240347](#) [1301860202](#)