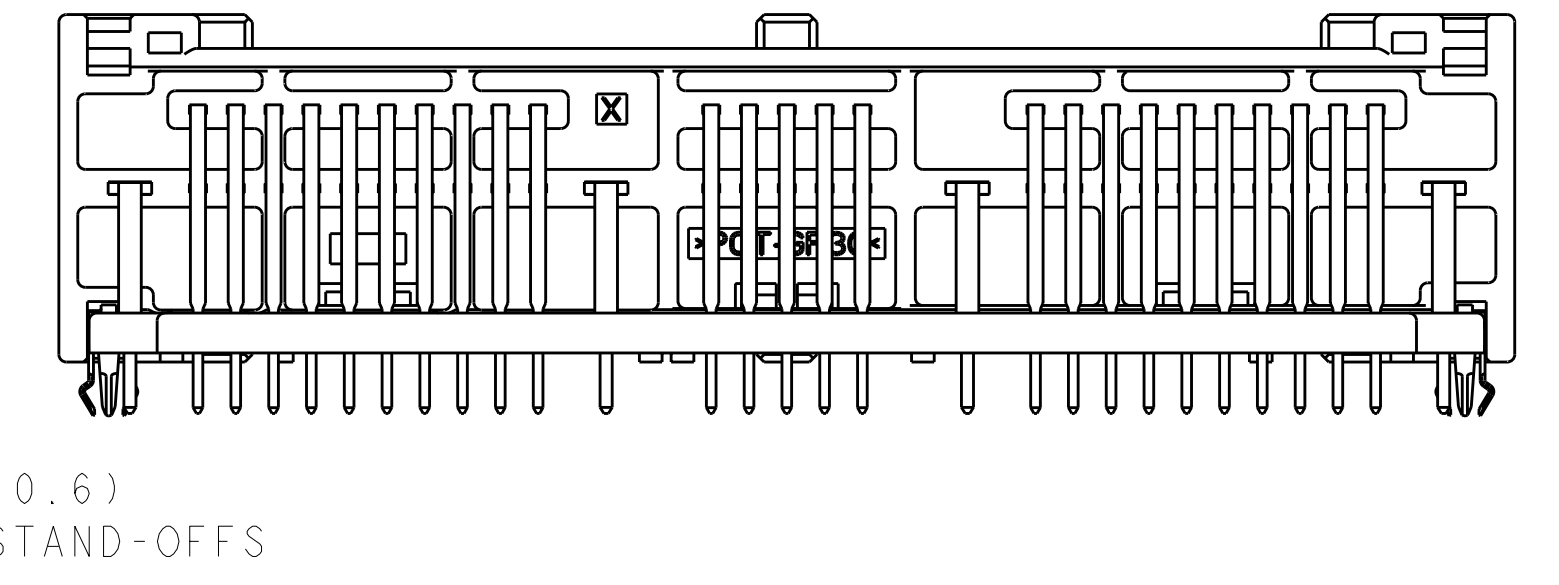
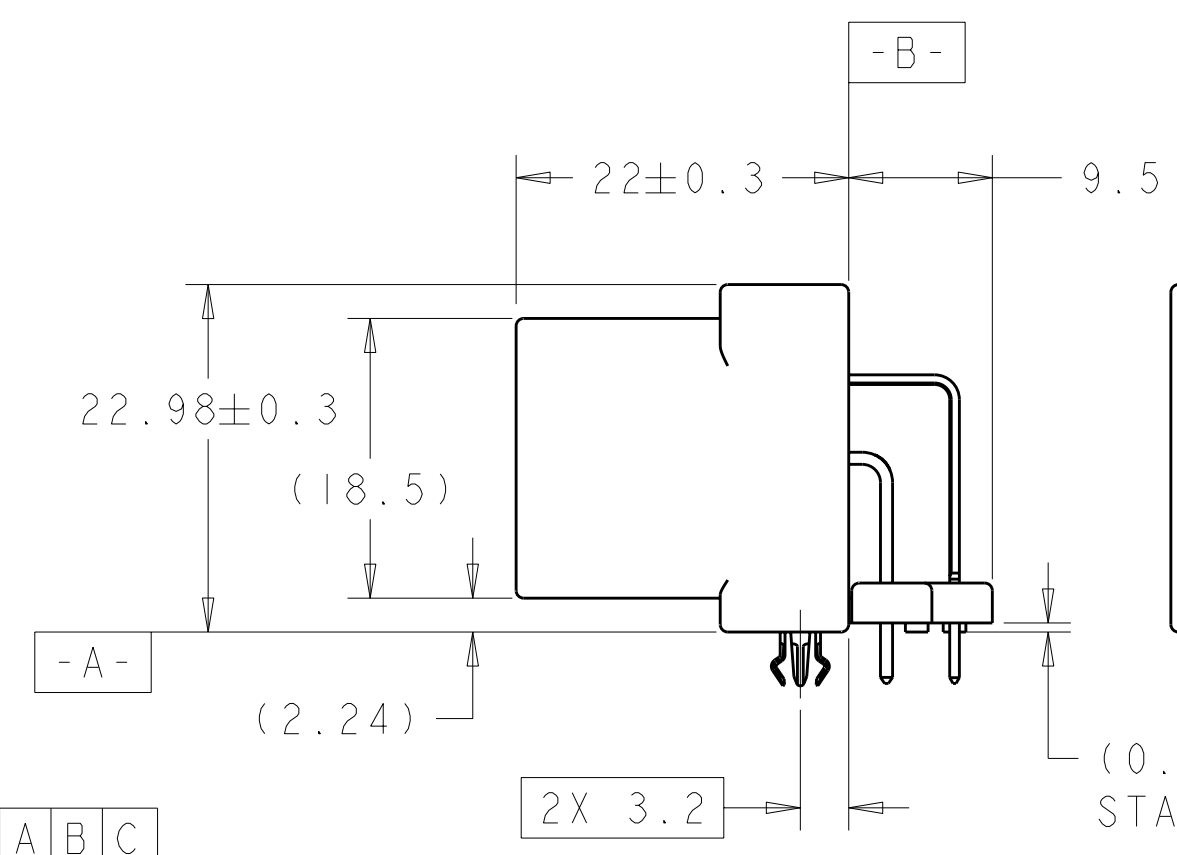
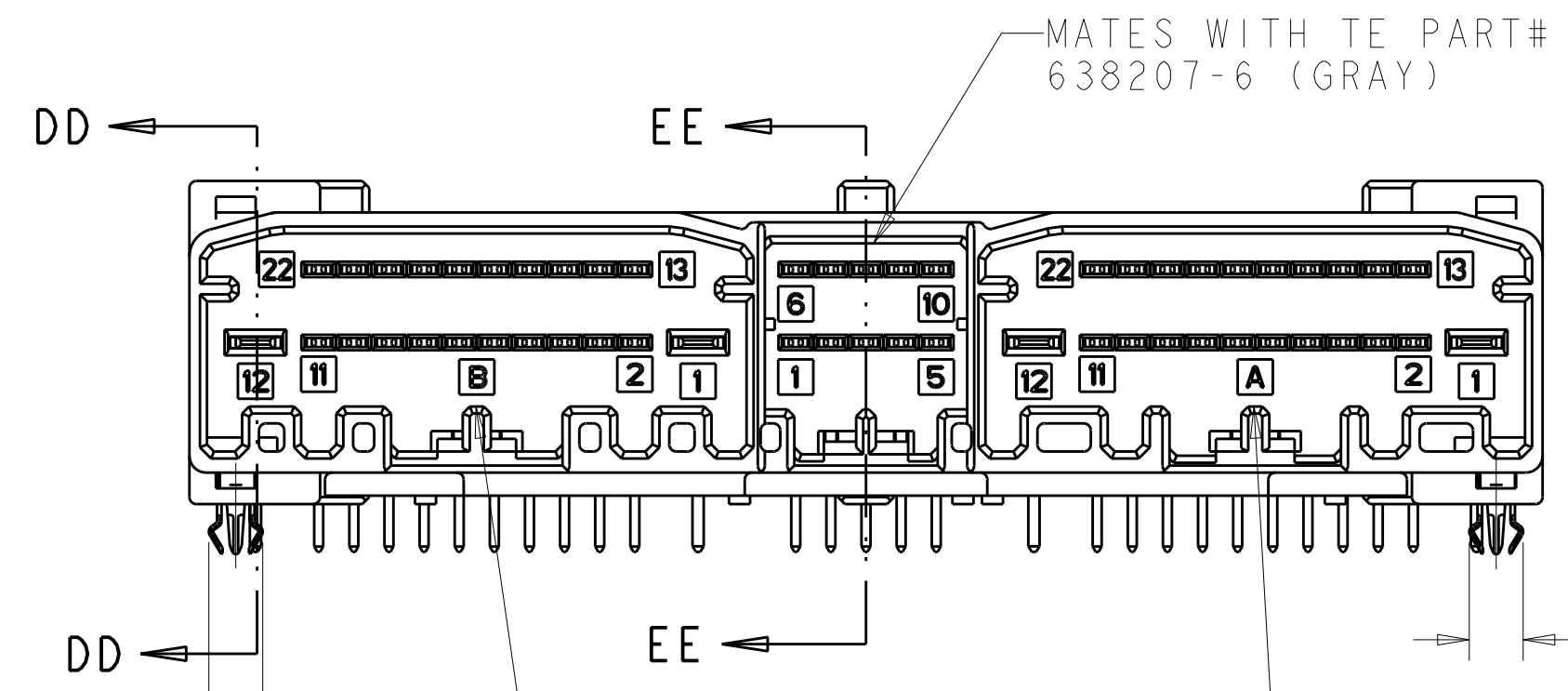
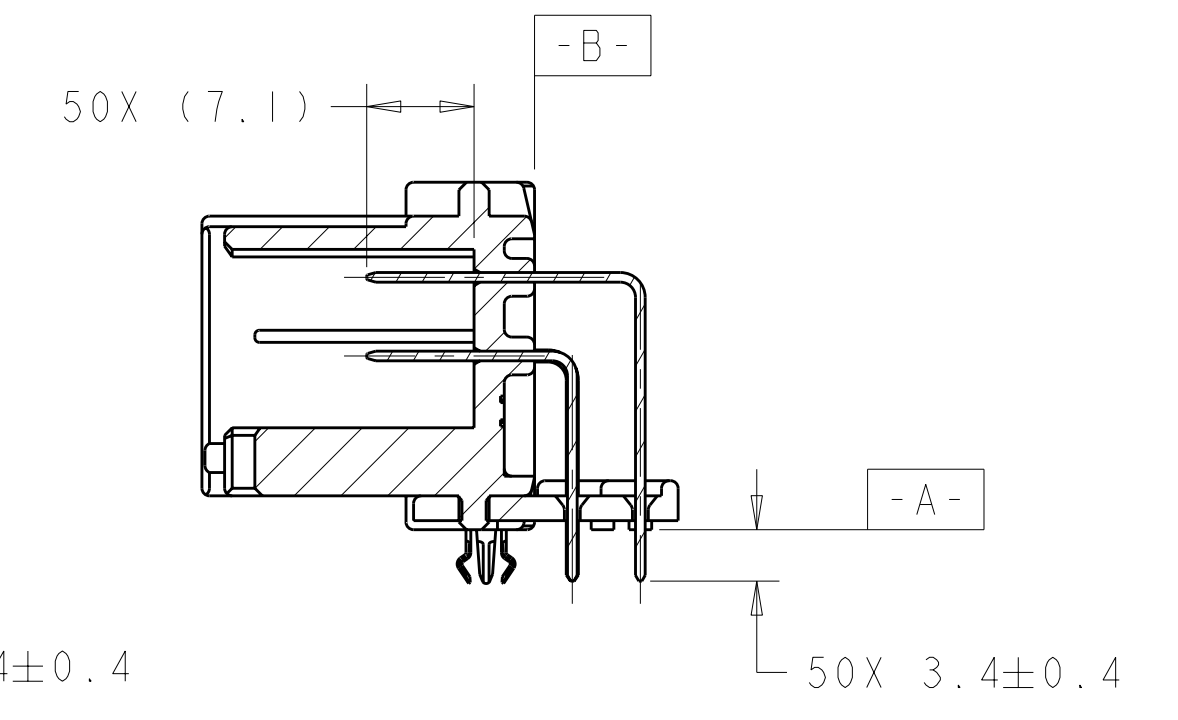
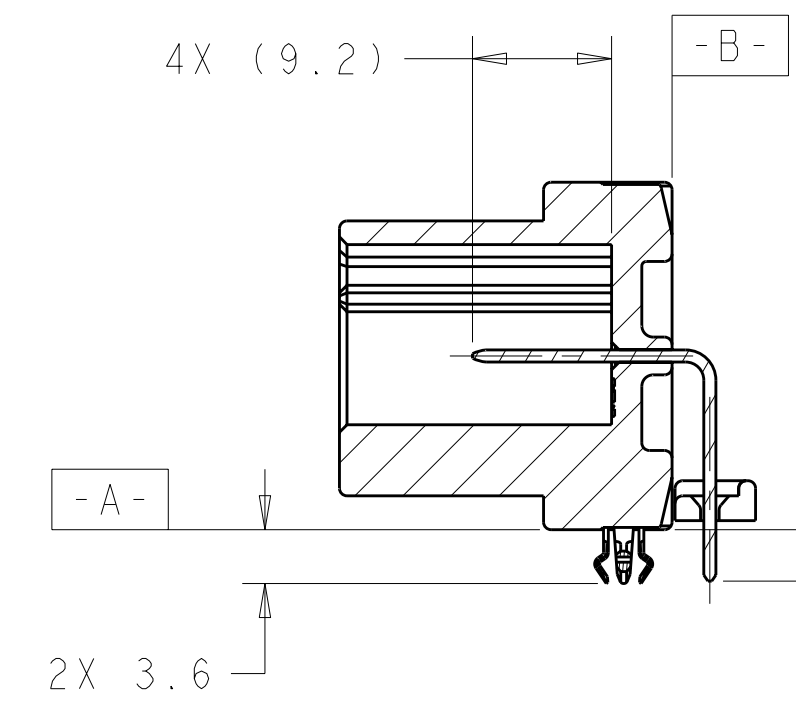
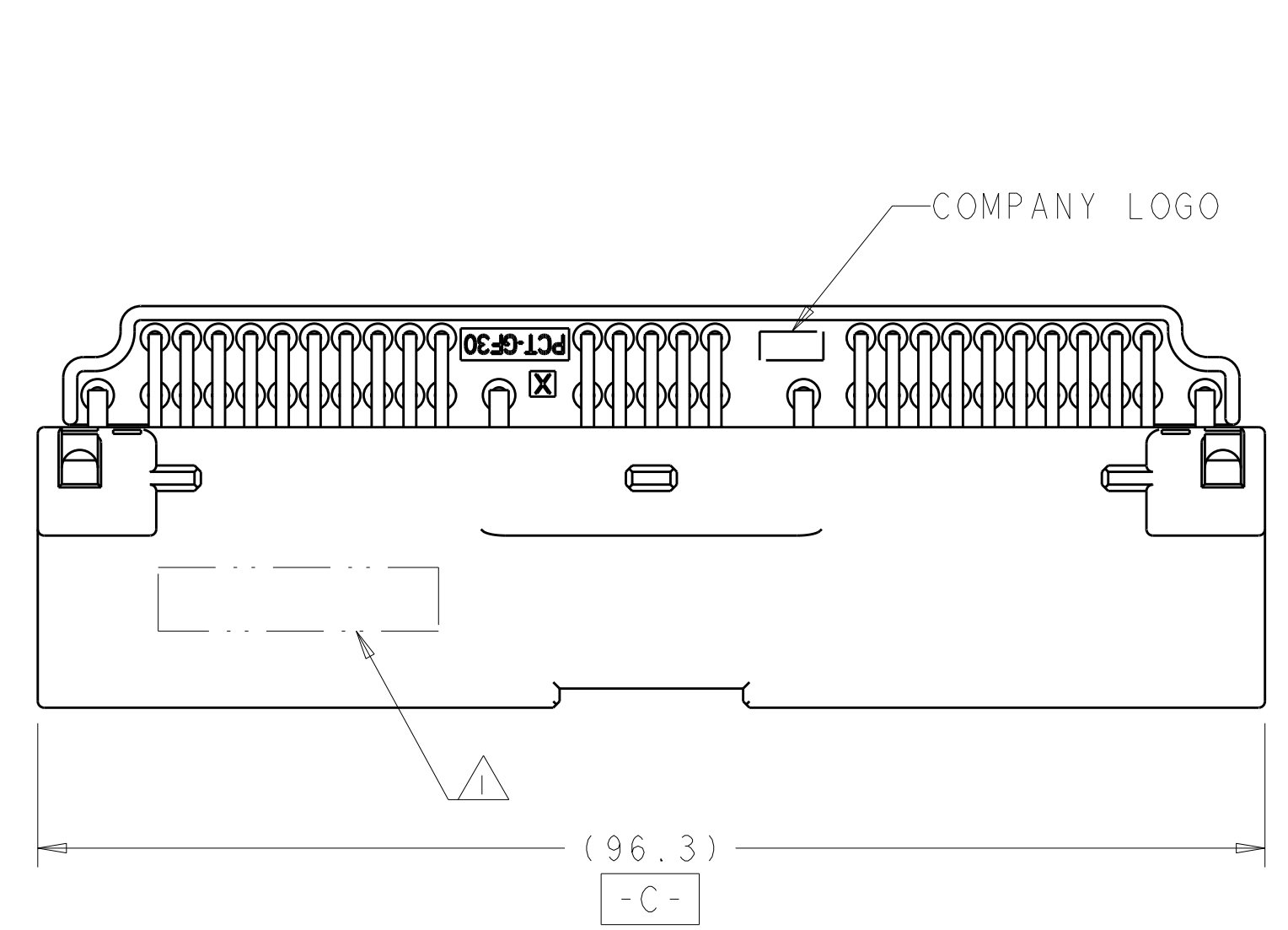
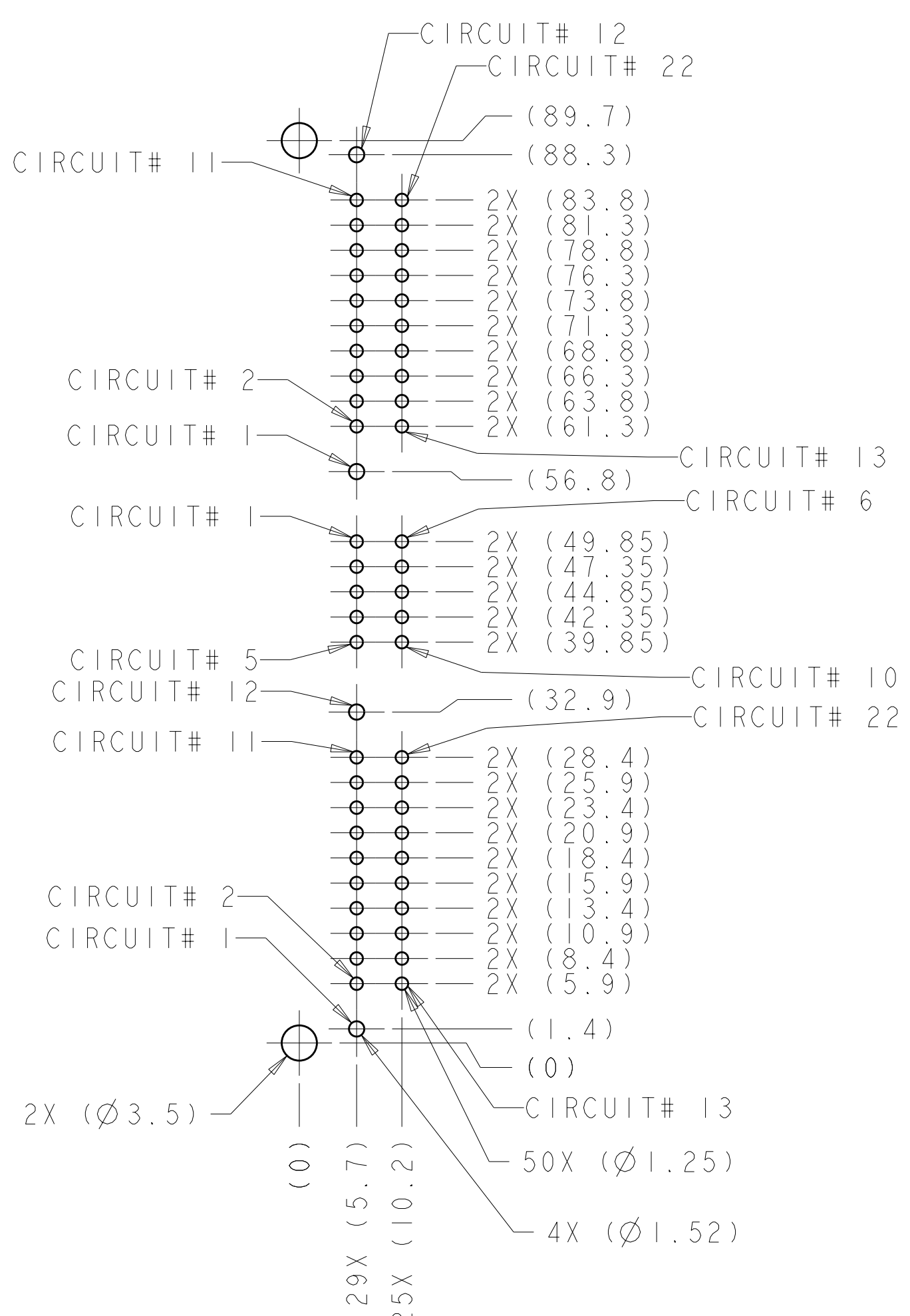
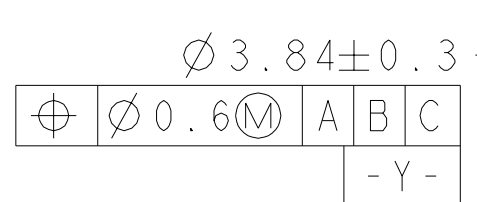


LOC	DIST	REV	DATE	BY	CHKD	APVD
FX	00					
C		REV PER ECR-06-000886	09MAR2006	MBH	AV	
C1		REV PER ECR-06-021177	27FEB2007	AH	CS	
C2		REVISED PER ECO-09-016926	20JUL2009	DLD	MHB	
C3		REV PER ECR-10-012887	17JUN2010	VSS	MB	

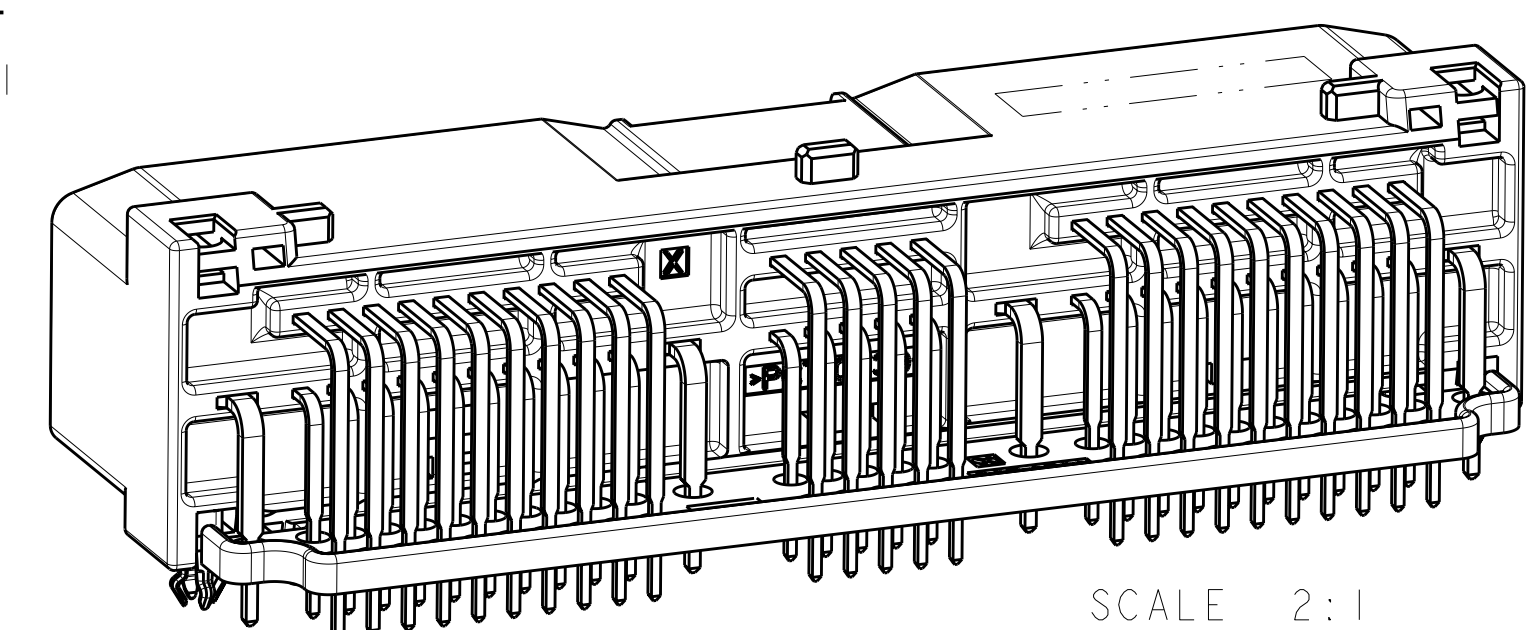
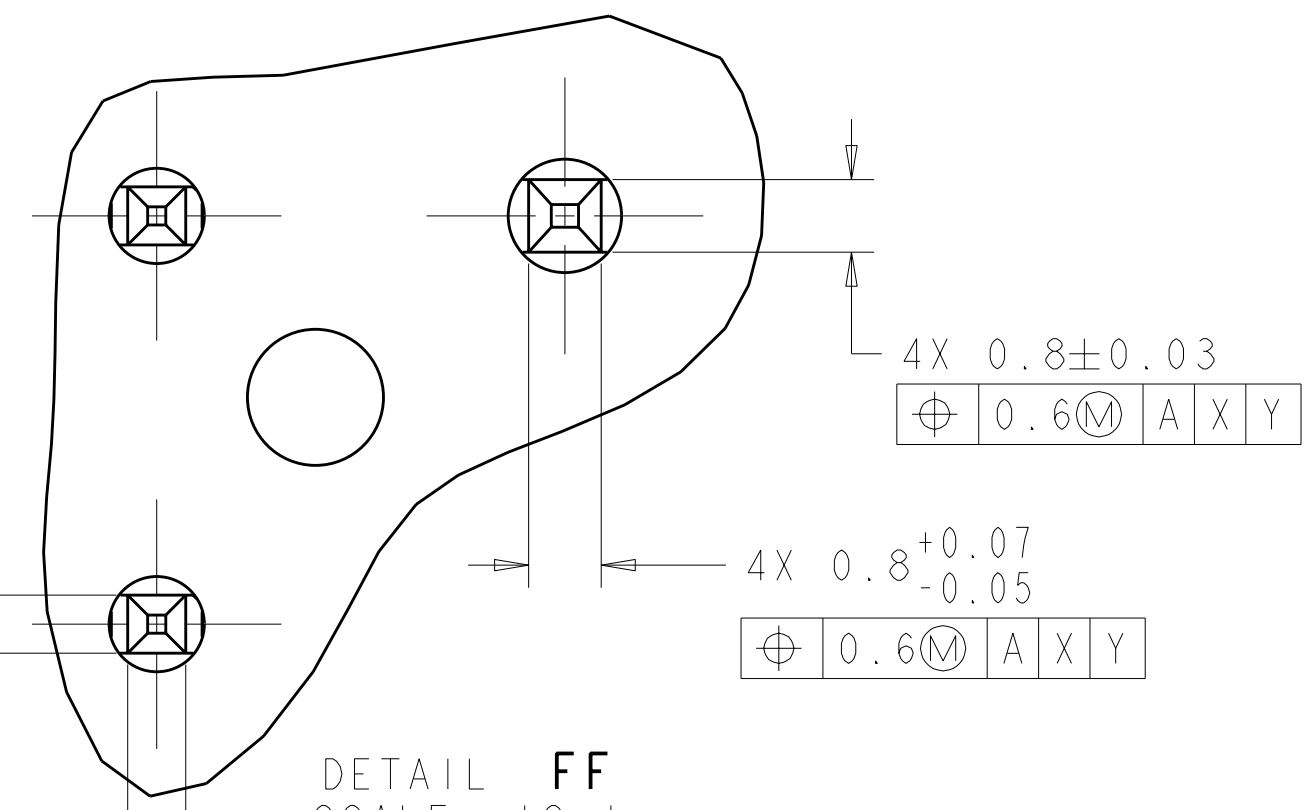
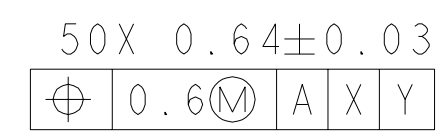
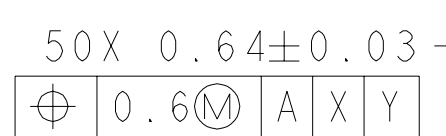
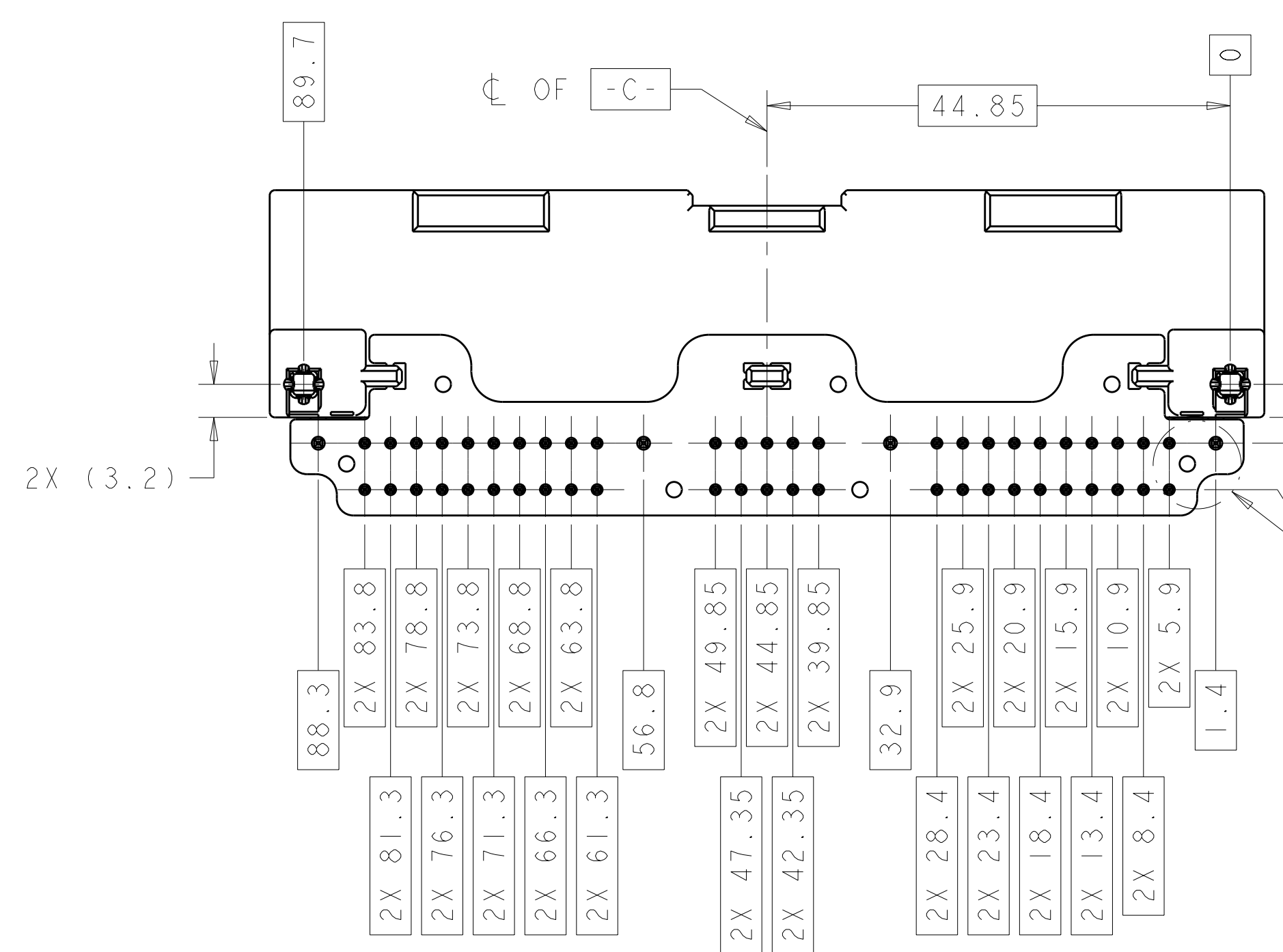


PC BOARD LAYOUT
 CONNECTOR SIDE
 (RECOMMENDED BOARD THICKNESS 1.57mm)



MATES WITH TE PART# 1438759-1 (WHITE)

MATES WITH TE PART# 1438761-6 (GRAY)



NOTES:
 MARK DATE CODE IN APPROXIMATE LOCATION.

PCT	GRAY	BRASS	PRE-TIN	BRASS	POST-TIN	PCT	GRAY	9-1438743-6
MATERIAL	FINISH	MATERIAL	FINISH	MATERIAL	FINISH	MATERIAL	COLOR	PART NO
TINE PLATE		BOARDLOCK		CONTACT		HOUSING		
DIMENSIONS:		TOLERANCES UNLESS OTHERWISE SPECIFIED:		DWN		Tyco Electronics		
mm		9 PLC ±0.0		27 JUL 2004		Harrisburg, PA 17105-3608		
Ø		1 PLC ±0.3		CHK A. VASINDLER		NAME		
H		5 PLC ±0.1		APVD T. MEHAFFEY		PRODUCT SPEC		
MATERIAL		FINISH		APPLICATION SPEC		SIZE		
SEE TABLE		SEE TABLE		114-13158		CAGE CODE		
				WEIGHT		DRAWING NO		
				CUSTOMER DRAWING		SCALE		
						SHEET		
						OF		
						REV		
						C3		

X-ON Electronics

Largest Supplier of Electrical and Electronic Components

Click to view similar products for [Automotive Connectors](#) category:

Click to view products by [TE Connectivity](#) manufacturer:

Other Similar products are found below :

[003-018-000](#) [60403001](#) [60993906-B](#) [M902-2131](#) [M902-2161](#) [M902-2344](#) [72.330.1035.1](#) [73.353.4028.0](#) [F119300-B](#) [F166900](#) [F258300-B](#)
[F358300-B](#) [F407400](#) [F444110](#) [F487000](#) [F509500B-B](#) [827153-1](#) [8N1515-32-24P](#) [9-1326729-8](#) [925474-1](#) [928905-1](#) [964562-4](#) [968782-1](#)
[GT17SA-8DS-HU](#) [98891-1012](#) [98947-1016](#) [12004147](#) [12004475-L](#) [12010290](#) [12015454](#) [12020219-B](#) [12041318-B](#) [12052225-L](#) [12052466](#)
[12064869](#) [12004327-B](#) [12015308](#) [12015384](#) [12015909](#) [1-21030-1](#) [12041254](#) [12041318](#) [12047946-B](#) [12047957](#) [12047957-L](#) [12059473](#)
[12066261](#) [12110546](#) [12110546-B](#) [12131792](#)