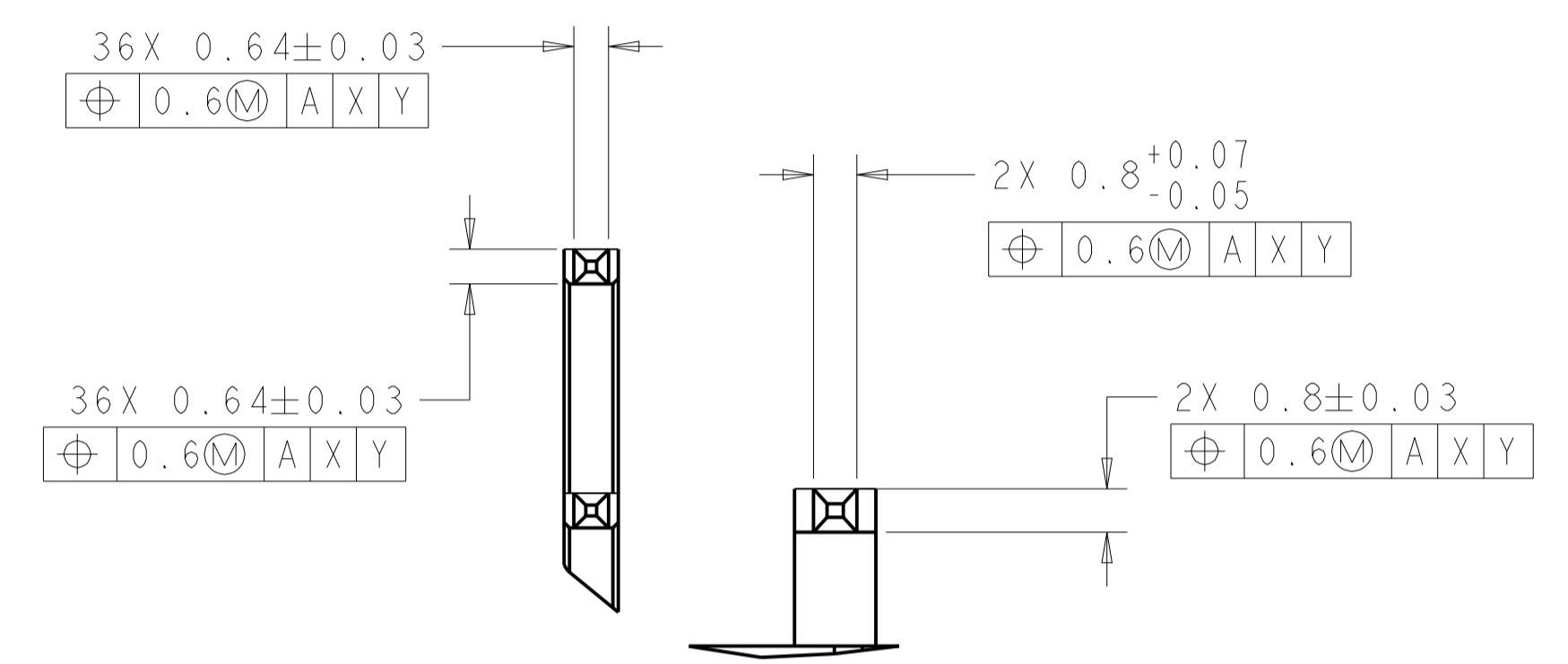
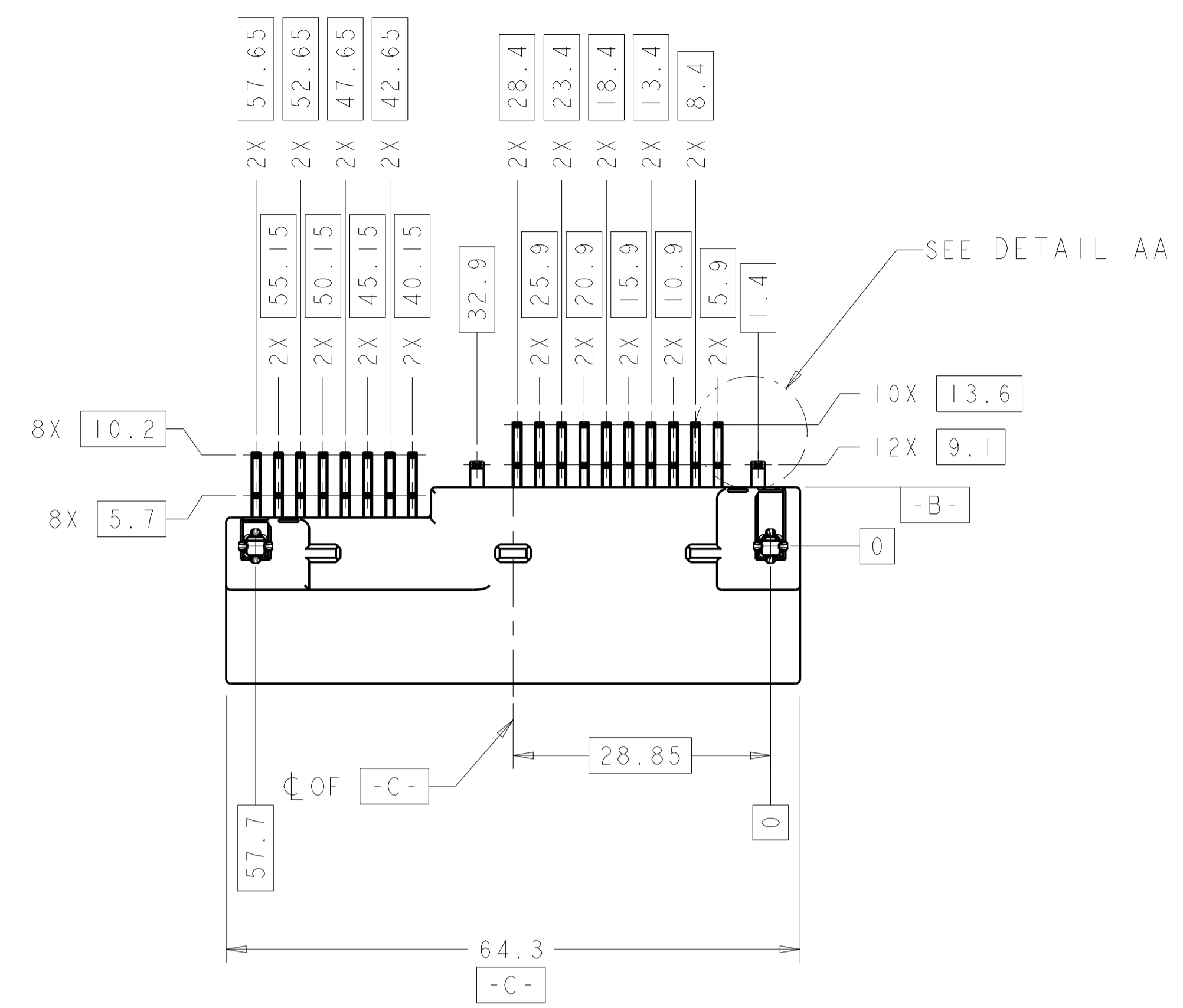
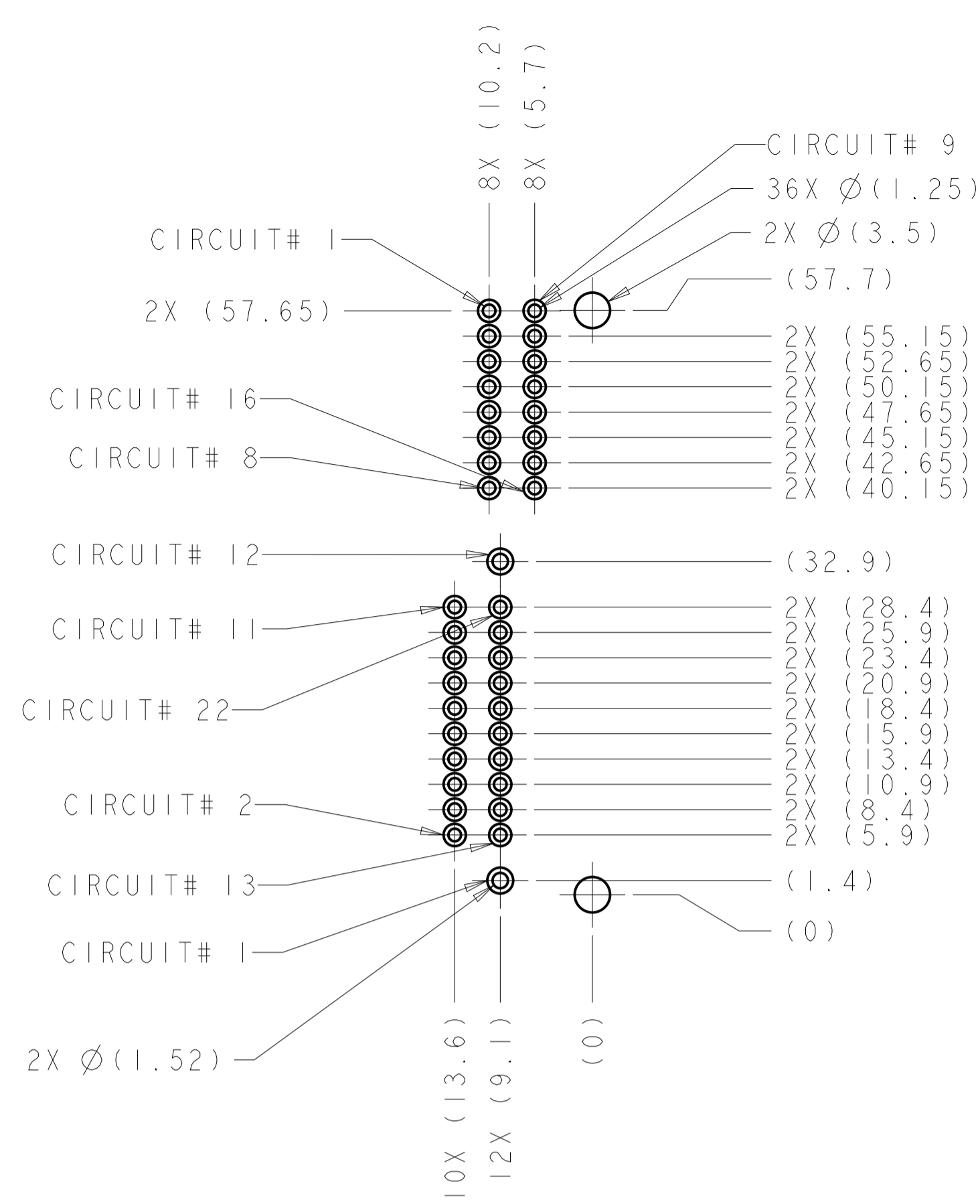
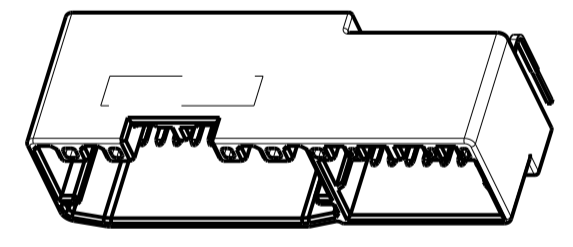


LOC	DIST	REVISIONS			
P	LTN	DESCRIPTION	DATE	DWN	APVD
FX	00				
A2		REVISED PER ECR-10-012887	17JUN2010	YSS	MB
B		REVISED PER ECO-14-001745	06FEB2014	DD	SA

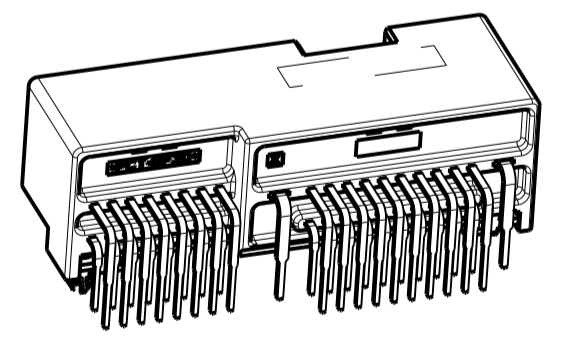
△ MARK DATE CODE IN APPROXIMATE LOCATION.



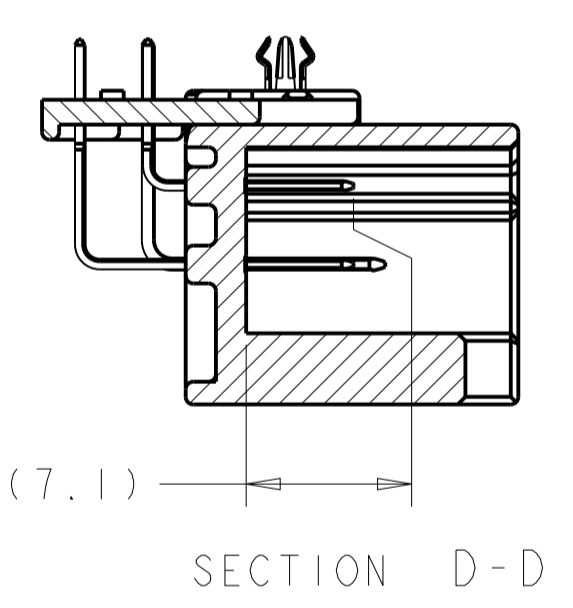
RECOMMENDED PCB LAYOUT CONNECTOR SIDE (RECOMMENDED BOARD THICKNESS 1.57mm)



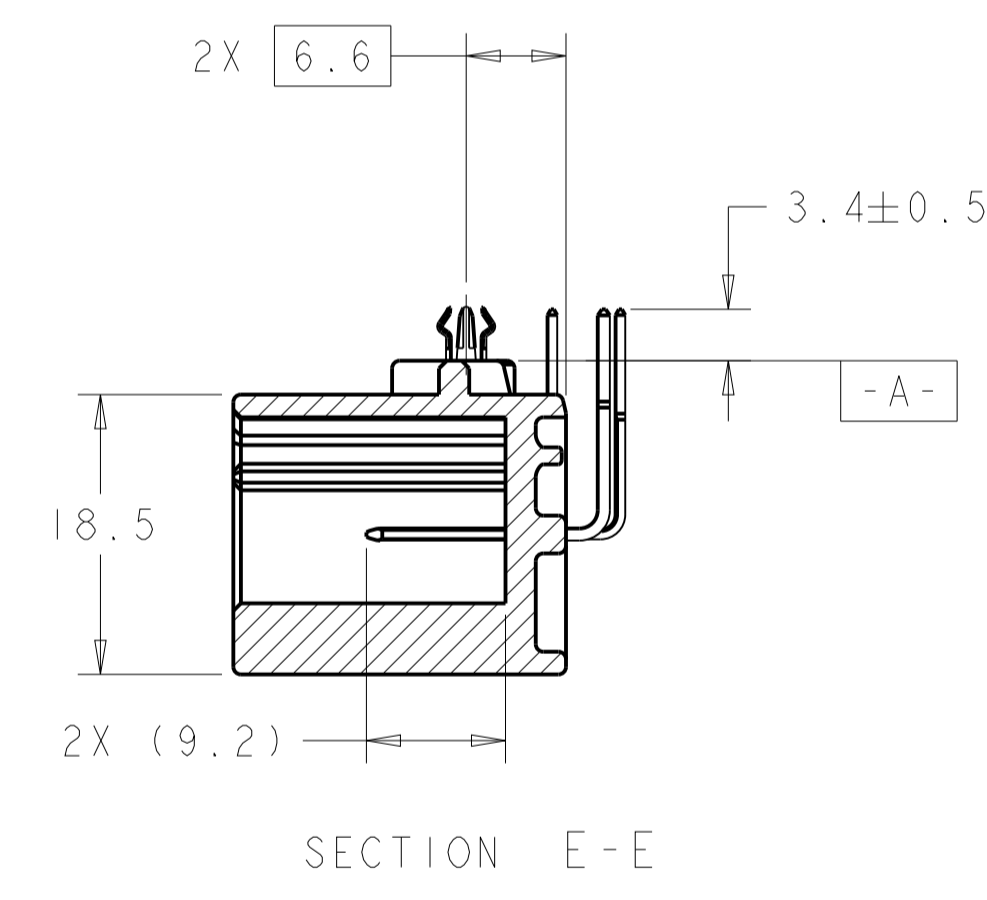
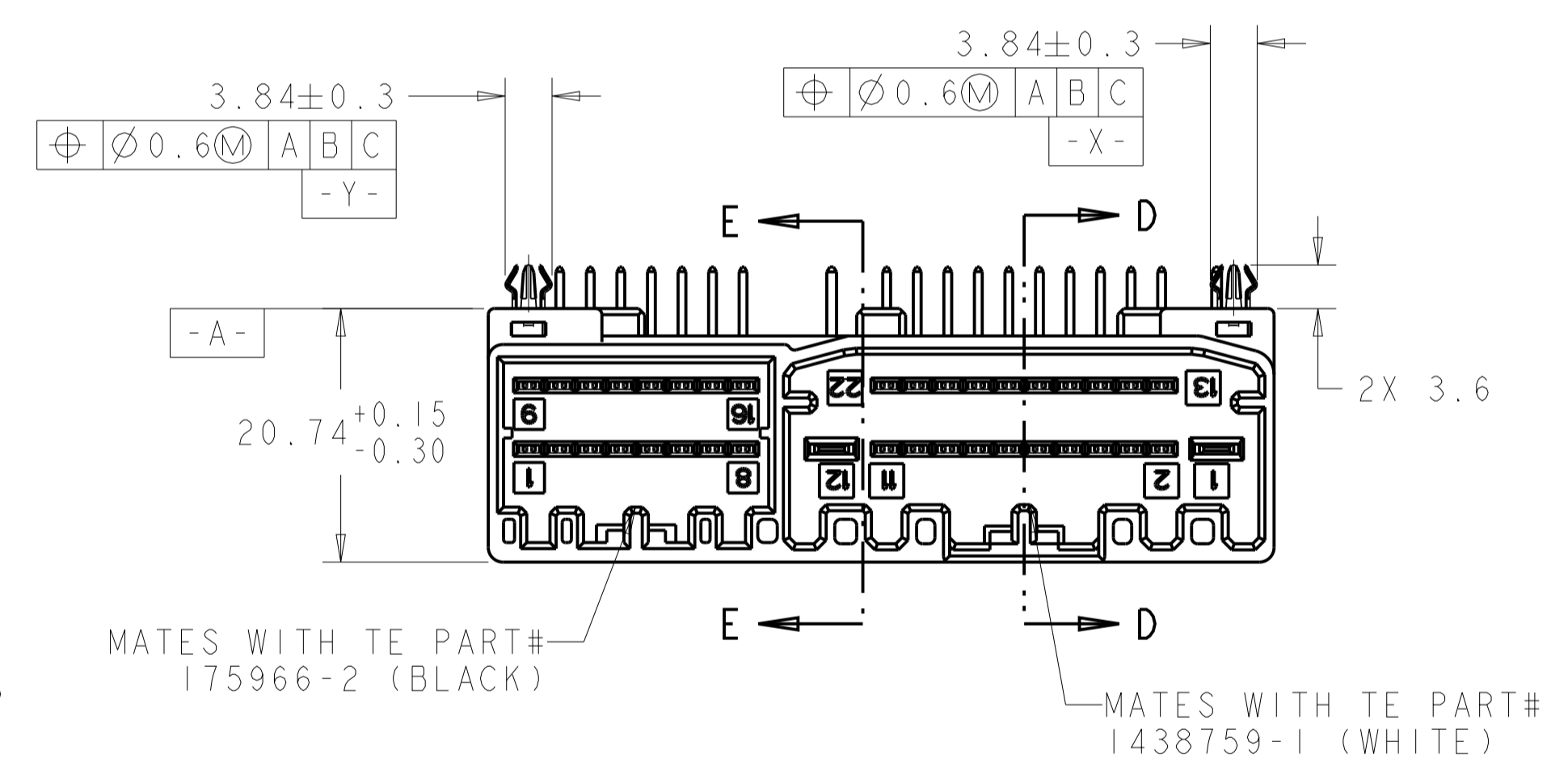
9-1438789-2 REF SCALE 1:1



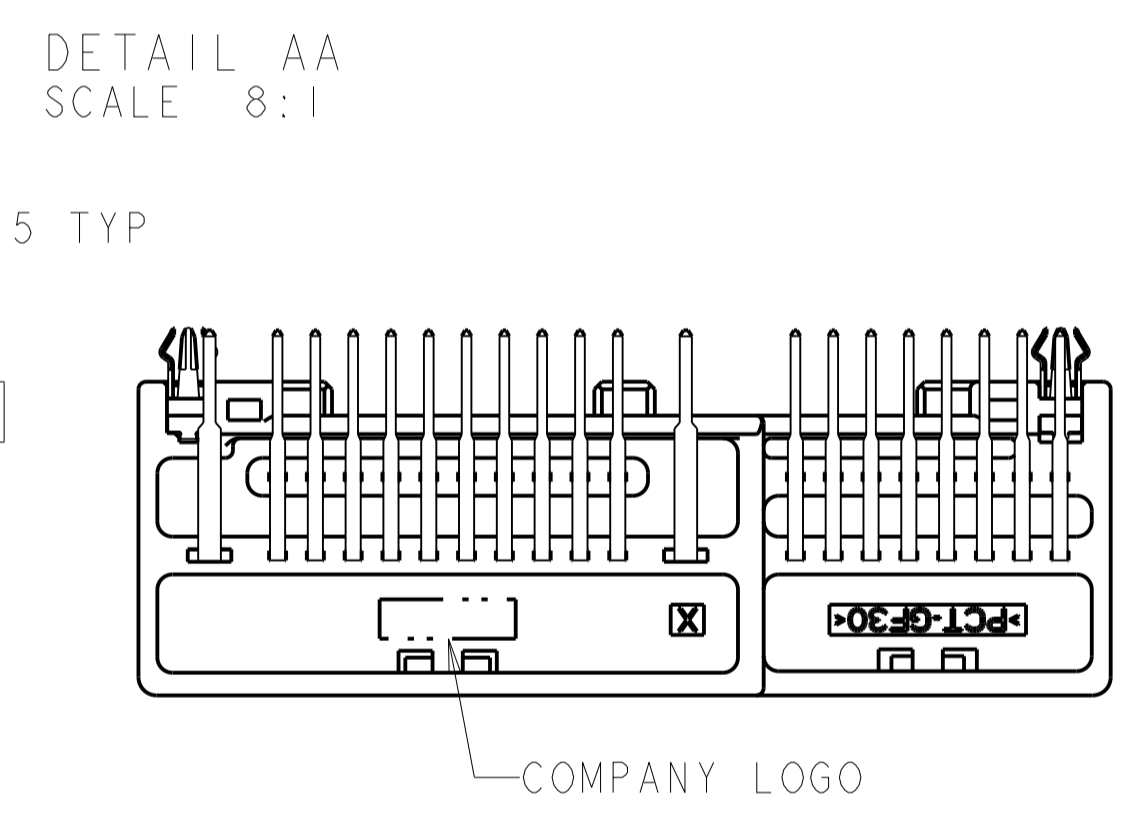
9-1438789-2 REF SCALE 1:1



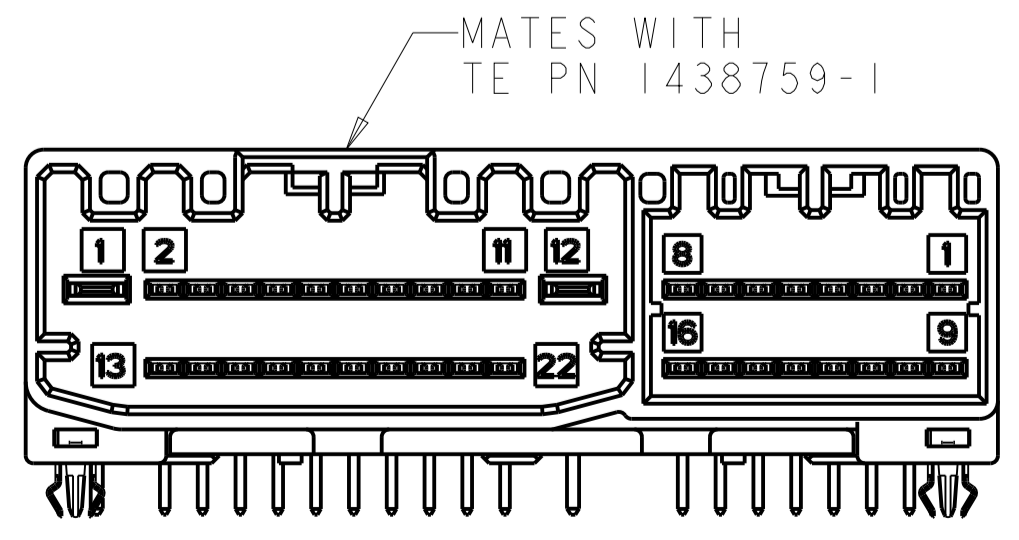
SECTION D-D



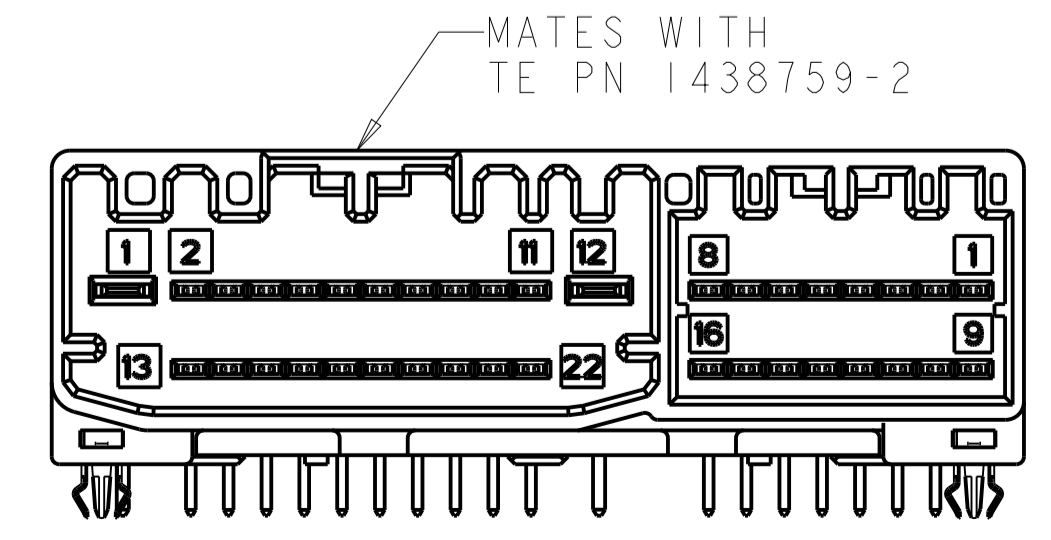
SECTION E-E



DETAIL AA SCALE 8:1



9-1438789-2



9-1438789-3

BRASS	PRE-TIN	BRASS	POST-TIN	PCT	BLACK	9-1438789-3
BRASS	PRE-TIN	BRASS	POST-TIN	PCT	BLACK	9-1438789-2
BOARDLOCK		CONTACT		HOUSING		PART NUMBER

THIS DRAWING IS A CONTROLLED DOCUMENT.		DWN: W MCALLISTER 08SEP2004 CHK: G MARTIN 21SEP2004 APVD: T McHAFFEE 21SEP2004		NAME: 38 POSITION CAP ASSEMBLY, HYBRID MULTILOCK, 22P .040/2.8 HYBRID + 16P .040	
DIMENSIONS: mm		TOLERANCES UNLESS OTHERWISE SPECIFIED:		SIZE: 114-13158	
0 PLC ±0.3		1 PLC ±0.3		WEIGHT: -	
2 PLC ±0.1		3 PLC ±0.1		CAGE CODE: -	
4 PLC ±0.1		5 PLC ±0.1		DRAWING NO: 100779	
6 PLC ±0.1		7 PLC ±0.1		DRAWING NO: 1438789	
8 PLC ±0.1		9 PLC ±0.1		SCALE: 2:1	
10 PLC ±0.1		11 PLC ±0.1		SHEET: 1 OF 1	
12 PLC ±0.1		13 PLC ±0.1		REV: C	
14 PLC ±0.1		15 PLC ±0.1		Customer Drawing	

X-ON Electronics

Largest Supplier of Electrical and Electronic Components

Click to view similar products for [Automotive Connectors](#) category:

Click to view products by [TE Connectivity](#) manufacturer:

Other Similar products are found below :

[003-018-000](#) [60403001](#) [60993906-B](#) [M902-2131](#) [M902-2161](#) [M902-2344](#) [72.330.1035.1](#) [73.353.4028.0](#) [F119300-B](#) [F166900](#) [F258300-B](#)
[F358300-B](#) [F407400](#) [F444110](#) [F487000](#) [F509500B-B](#) [827153-1](#) [8N1515-32-24P](#) [9-1326729-8](#) [925474-1](#) [928905-1](#) [964562-4](#) [968782-1](#)
[GT17SA-8DS-HU](#) [98891-1012](#) [98947-1016](#) [12004147](#) [12004475-L](#) [12010290](#) [12010309-B](#) [12015454](#) [12020219-B](#) [12041318-B](#) [12052225-](#)
[L](#) [12052466](#) [12064869](#) [12004327-B](#) [12015308](#) [12015384](#) [12015909](#) [1-21030-1](#) [12041254](#) [12041318](#) [12047946-B](#) [12047957](#) [12047957-L](#)
[12059473](#) [12066261](#) [12110546](#) [12110546-B](#)