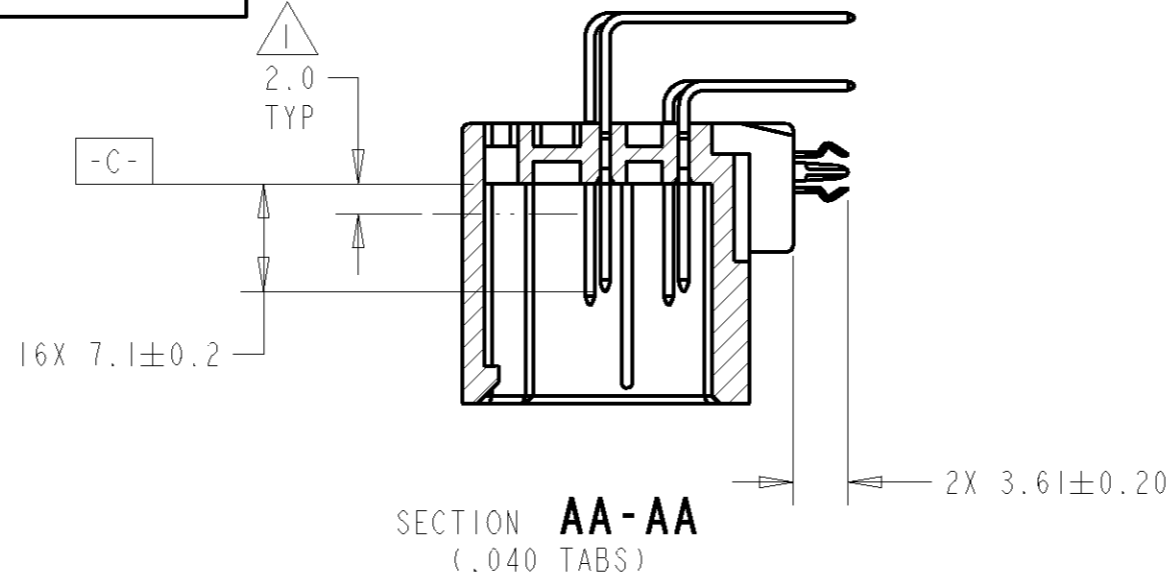
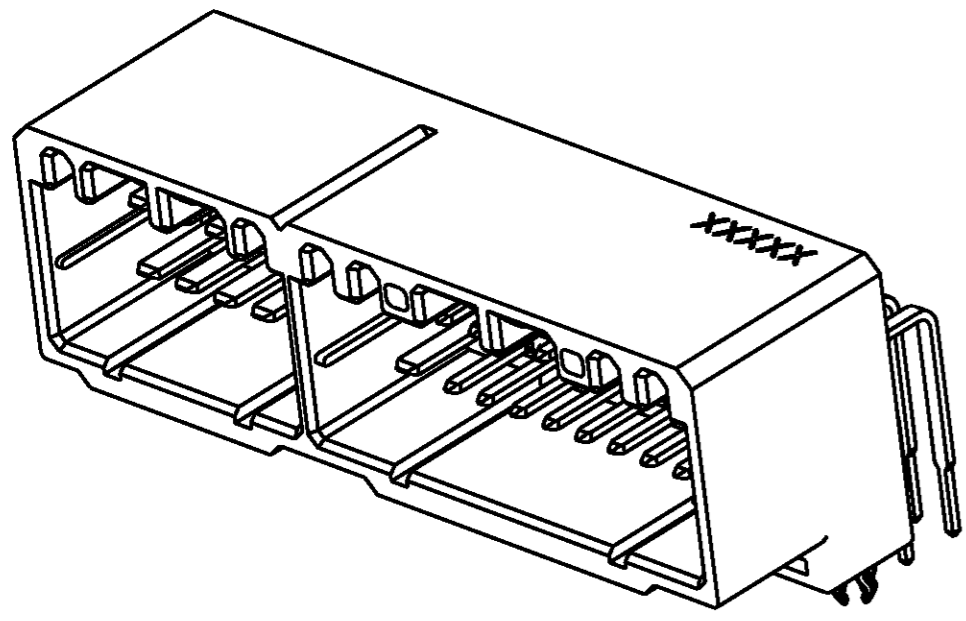
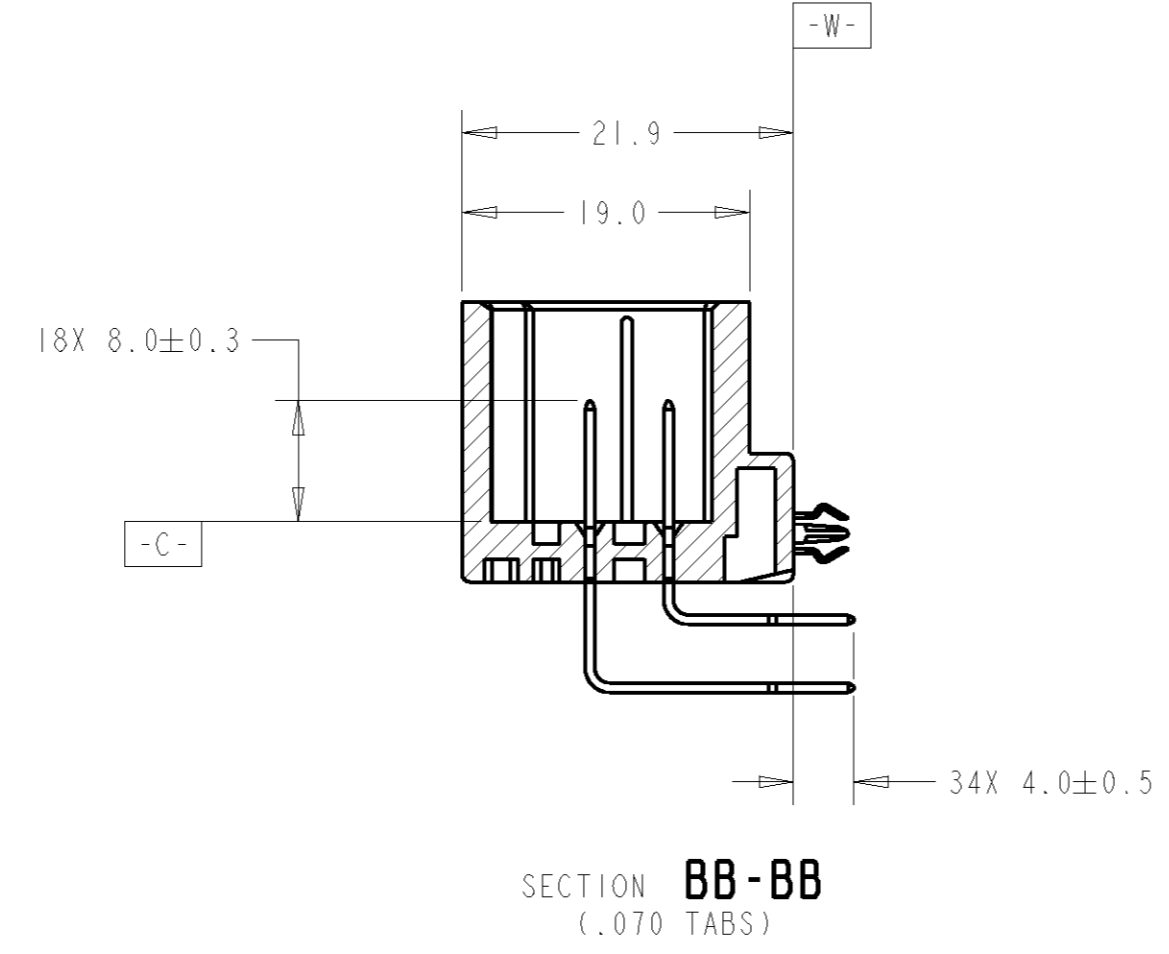
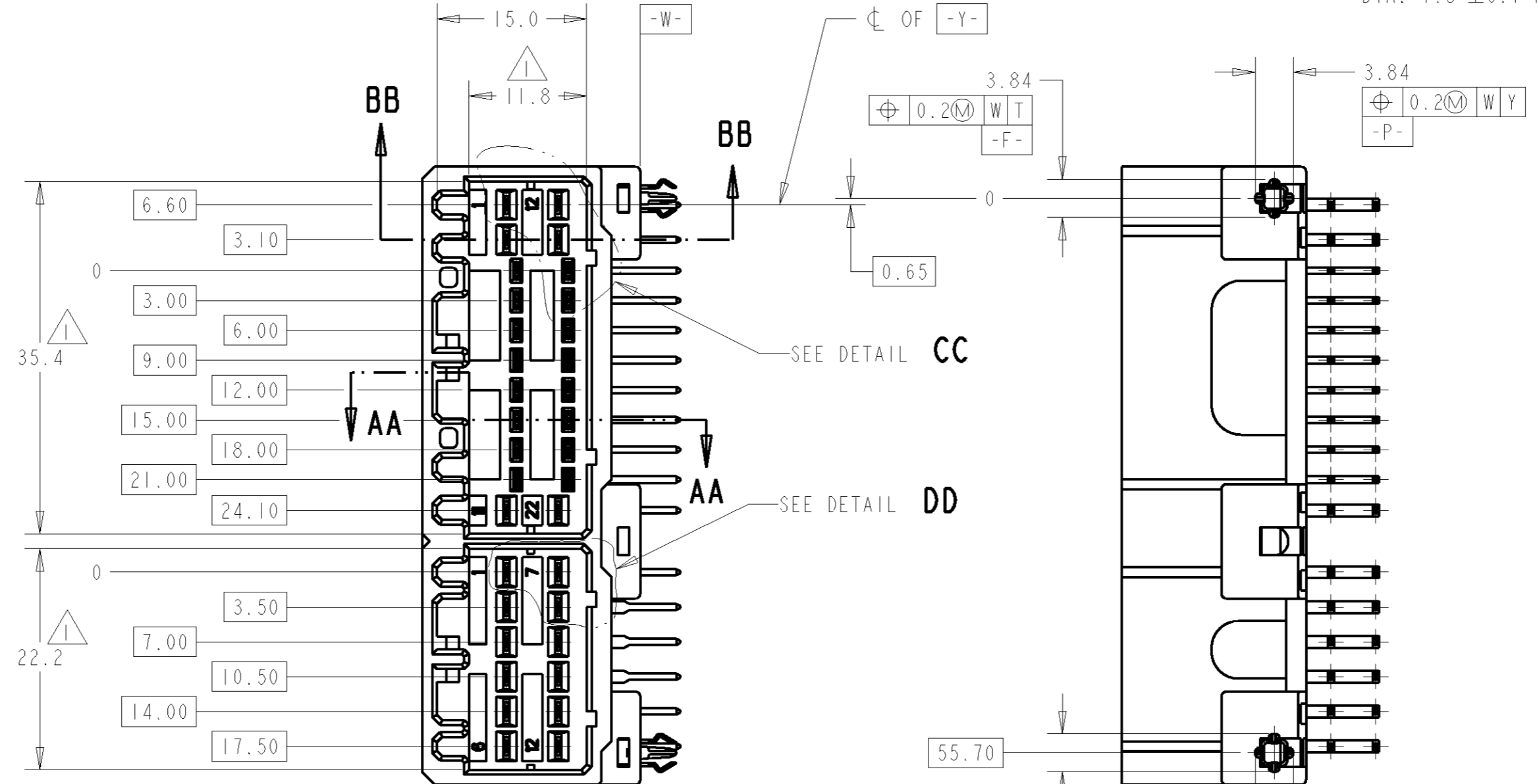
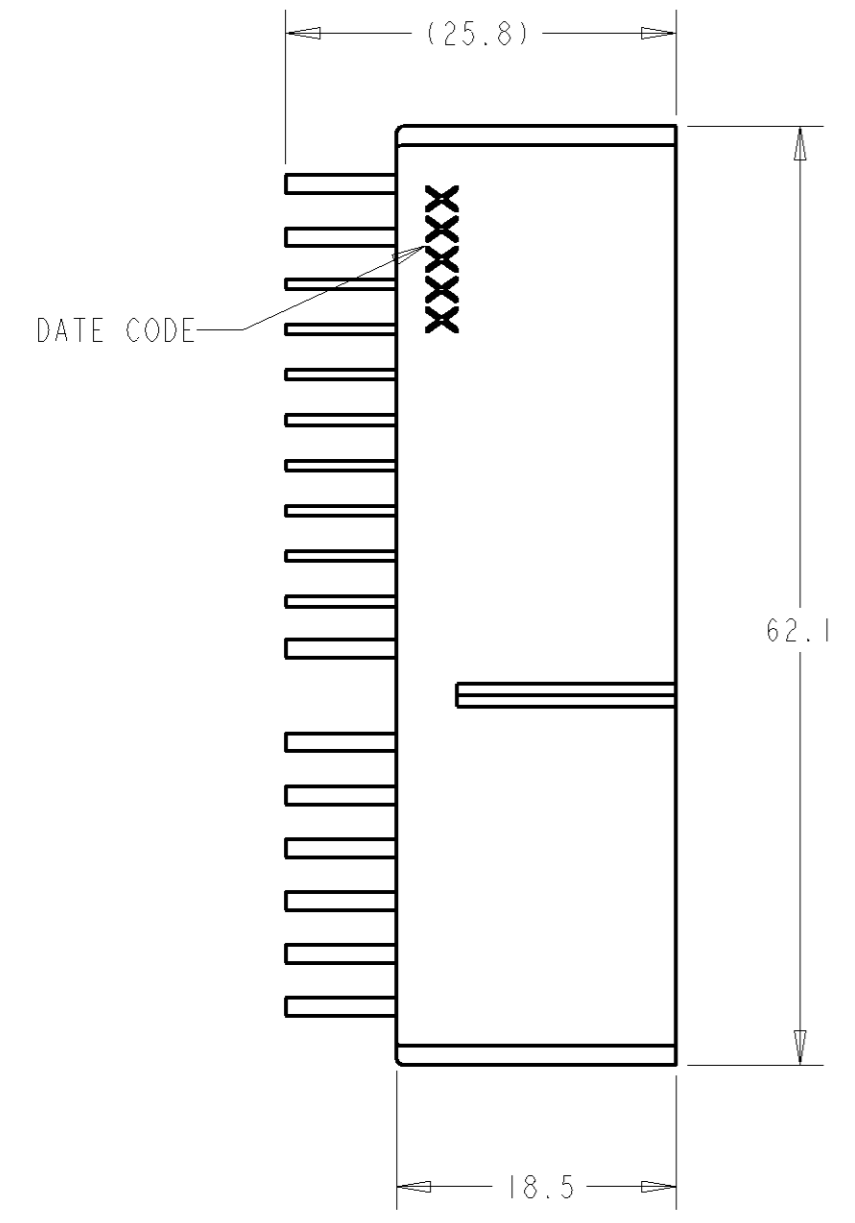


THIS DRAWING IS UNPUBLISHED. RELEASED FOR PUBLICATION 20  
 © COPYRIGHT 20 BY TYCO ELECTRONICS CORPORATION. ALL RIGHTS RESERVED.

LOC		DIST		REVISIONS			
P	LTR	DESCRIPTION	DATE	DWN	APVD		
	Q	PRELIM RLSD PER EC 0K80-0413-04	24NOV2004	RGV	RMC		
	A	REVISED PER EC 0K80-0021-05	04FEB2005	RDW	RMC		
	AI	RELEASED PER ECR 05-000198	20MAY2005	DLD	RMC		



- 1 DIMENSION MUST BE HELD BETWEEN -C- AND 2mm FROM -C-
- 2 DATUMS AND BASIC DIMENSIONS ESTABLISHED BY CUSTOMER.
- 3. THE MATING PLUG PART NUMBERS ARE 917978 AND 917989.
- 4 JAPAN PART NUMBER 175444-6 CUSTOMER DRAWING RECOMMENDS DIA. 1.1 ±0.1 HOLES. USA RECOMMENDS HOLE DIA. 1.3 ±0.1 FOR ROBOTIC PLACEMENT.

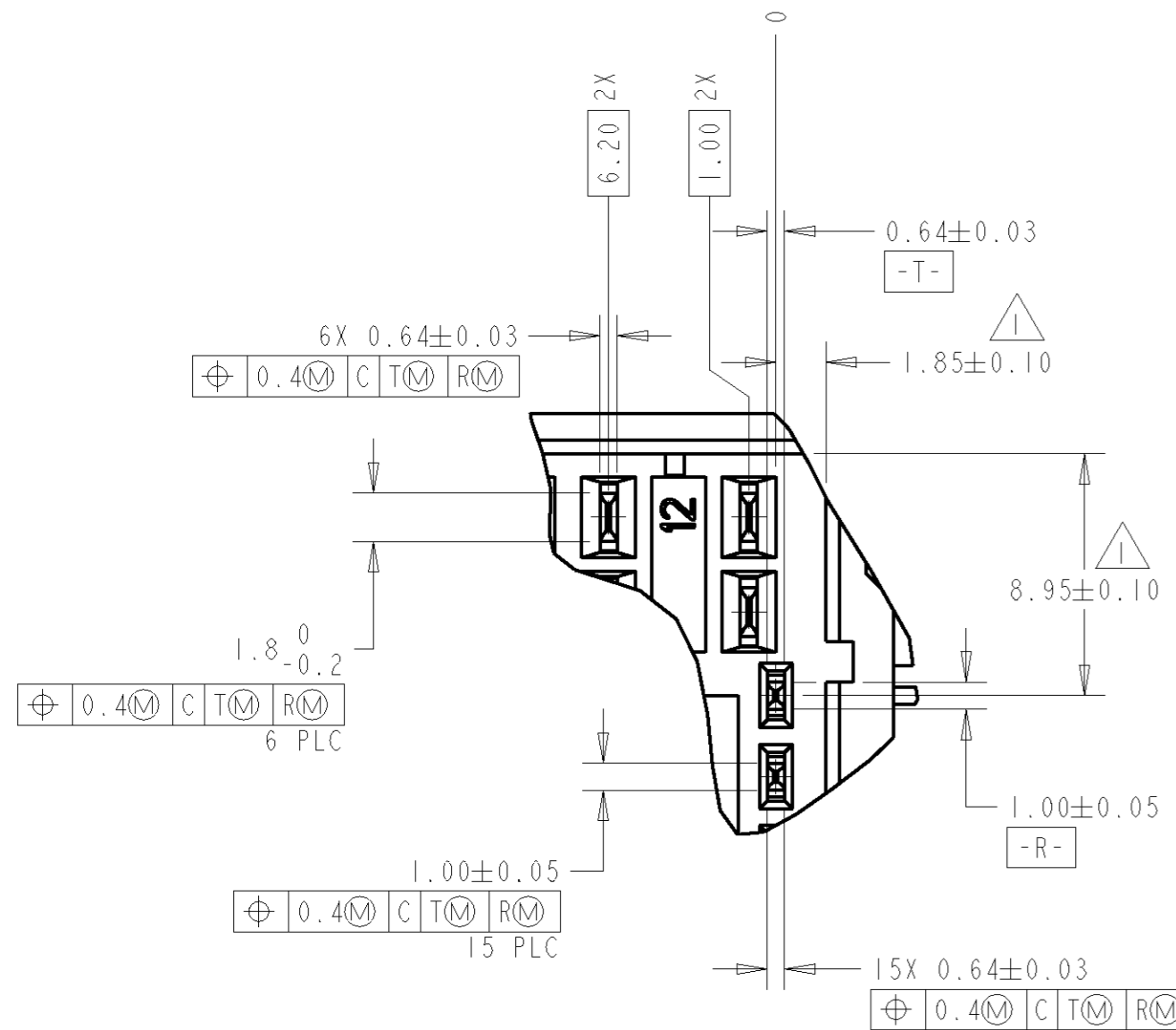


BRASS	PRE-TIN	BRASS	PRE-TIN	PBT	NATURAL	9-1438845-1
MATERIAL	FINISH	MATERIAL	FINISH	MATERIAL	COLOR	PART NO
BOARDLOCK		CONTACT		HOUSING		

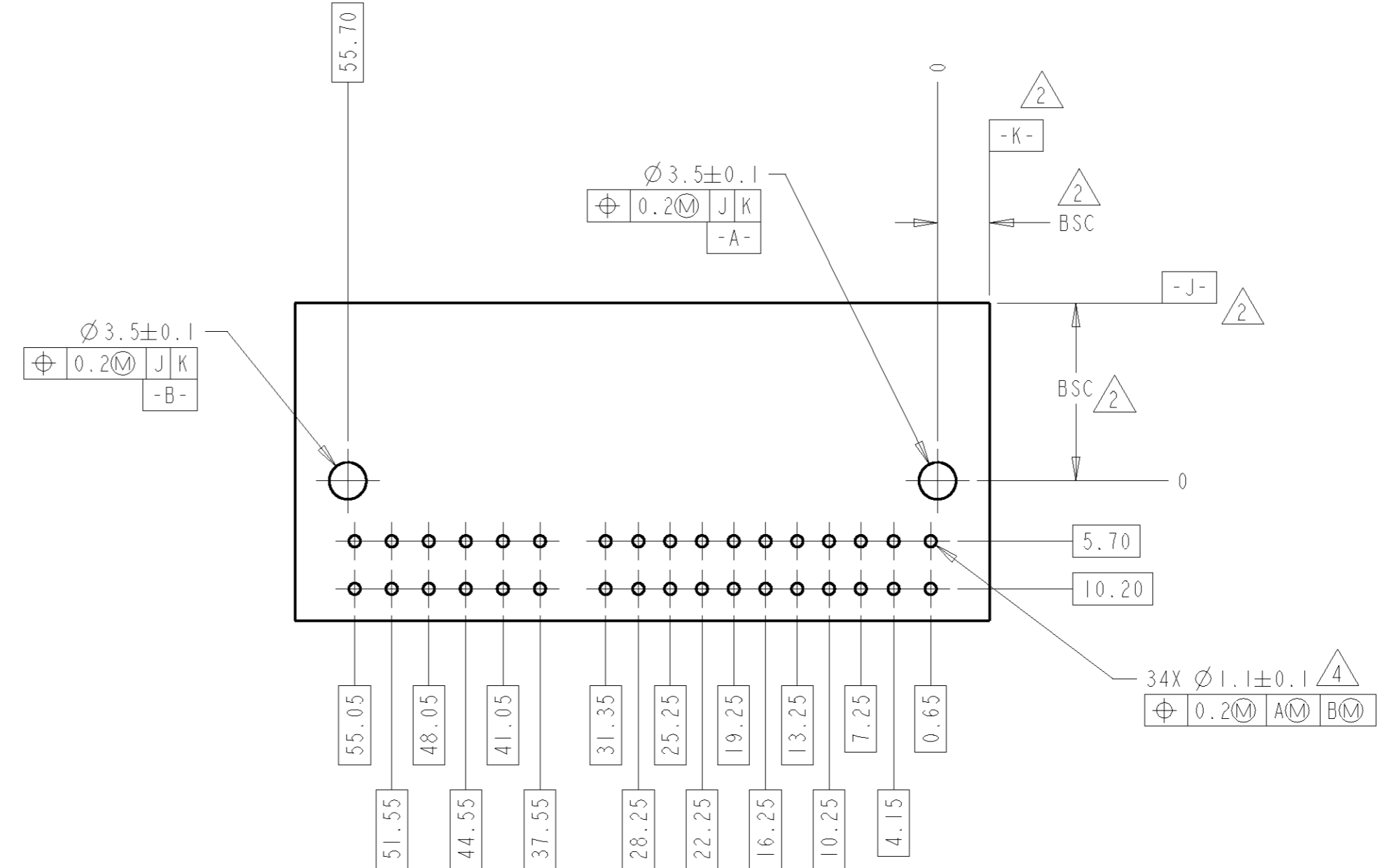
<small>THIS DRAWING IS A CONTROLLED DOCUMENT FOR TYCO ELECTRONICS CORPORATION. IT IS SUBJECT TO CHANGE AND THE CONTROLLING ENGINEERING ORGANIZATION SHOULD BE CONTACTED FOR THE LATEST REVISION.</small>		DWN	24NOV2004	Tyco Electronics Harrisburg, PA 17105-3608	
DIMENSIONS: mm		CHK	24NOV2004		
TOLERANCES UNLESS OTHERWISE SPECIFIED:		APVD	24NOV2004		
0 PLC ± 1 PLC ±0.3 2 PLC ±0.15 3 PLC ± 4 PLC ± ANGLES ±° FINISH		PRODUCT SPEC			
MATERIAL	SEE TABLE	APPLICATION SPEC		NAME	CAP ASSEMBLY, 34 POSN, 040/070 HYBRID, HORIZONTAL MULTILOCK, WITH BOARDLOCKS
SEE TABLE		WEIGHT		SIZE	A2
CUSTOMER DRAWING		SCALE	2:1	CAGE CODE	00779
		SHEET	1	DRAWING NO	C-1438845
		OF	2	RESTRICTED TO	-
		REV	AI		

THIS DRAWING IS UNPUBLISHED. RELEASED FOR PUBLICATION 20  
 © COPYRIGHT 20 BY TYCO ELECTRONICS CORPORATION. ALL RIGHTS RESERVED.

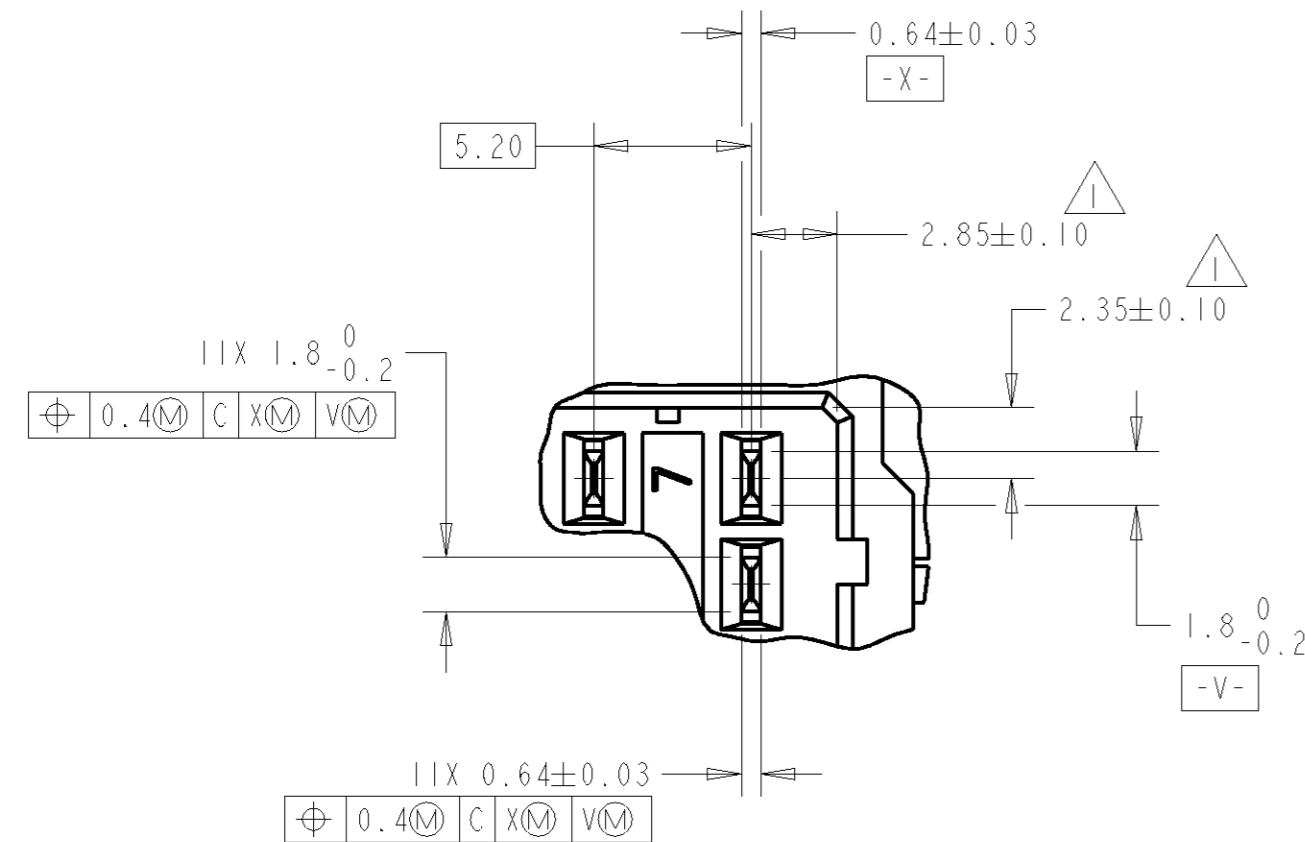
LOC	DIST	REVISIONS			
P	LTR	DESCRIPTION	DATE	DWN	APVD
FX	00	SEE SHEET 1	-	-	-



DETAIL CC  
SCALE 4:1



PC BOARD LAYOUT (SOLDER SIDE)  
(RECOMMENDED BOARD THICKNESS 1.57mm)



DETAIL DD  
SCALE 4:1

<small>THIS DRAWING IS A CONTROLLED DOCUMENT FOR TYCO ELECTRONICS CORPORATION. IT IS SUBJECT TO CHANGE AND THE CONTROLLING ENGINEERING ORGANIZATION SHOULD BE CONTACTED FOR THE LATEST REVISION.</small>		DWN R VESTAL 24NOV2004 CHK R COOPER 24NOV2004 APVD R COOPER 24NOV2004	<b>tyco</b> Electronics Tyco Electronics Harrisburg, PA 17105-3608
DIMENSIONS: mm 	TOLERANCES UNLESS OTHERWISE SPECIFIED: 0 PLC ± 1 PLC ±0.3 2 PLC ±0.15 3 PLC ± 4 PLC ± ANGLES ±° FINISH	PRODUCT SPEC - APPLICATION SPEC - WEIGHT -	NAME CAP ASSEMBLY, 34 POSN, 040/070 HYBRID, HORIZONTAL MULTILOCK, WITH BOARDLOCKS SIZE A2 CAGE CODE 00779 DRAWING NO. 1438845 RESTRICTED TO -
MATERIAL -		CUSTOMER DRAWING	SCALE 2:1 SHEET 2 OF 2 REV A1

## X-ON Electronics

Largest Supplier of Electrical and Electronic Components

*Click to view similar products for [Automotive Connectors](#) category:*

*Click to view products by [TE Connectivity](#) manufacturer:*

Other Similar products are found below :

[003-018-000](#) [60403001](#) [60993906-B](#) [M902-2131](#) [M902-2161](#) [72.330.1035.1](#) [73.353.4028.0](#) [F119300-B](#) [F166900](#) [F258300-B](#) [F358300-B](#)  
[F407400](#) [F444110](#) [F487000](#) [F509500B-B](#) [827153-1](#) [8N1515-32-24P](#) [9-1326729-8](#) [925474-1](#) [928905-1](#) [964562-4](#) [968782-1](#) [GT17SA-8DS-](#)  
[HU](#) [98891-1012](#) [98947-1016](#) [12004147](#) [12004475-L](#) [12010290](#) [12010309-B](#) [12015454](#) [12020219-B](#) [12020308](#) [12041318-B](#) [12052225-L](#)  
[12052466](#) [12059125](#) [12064869](#) [12004327-B](#) [12010503-B](#) [12015308](#) [12015384](#) [12015909](#) [1-21030-1](#) [12041254](#) [12041318](#) [12047946-B](#)  
[12047957](#) [12047957-L](#) [12059473](#) [12066261](#)