

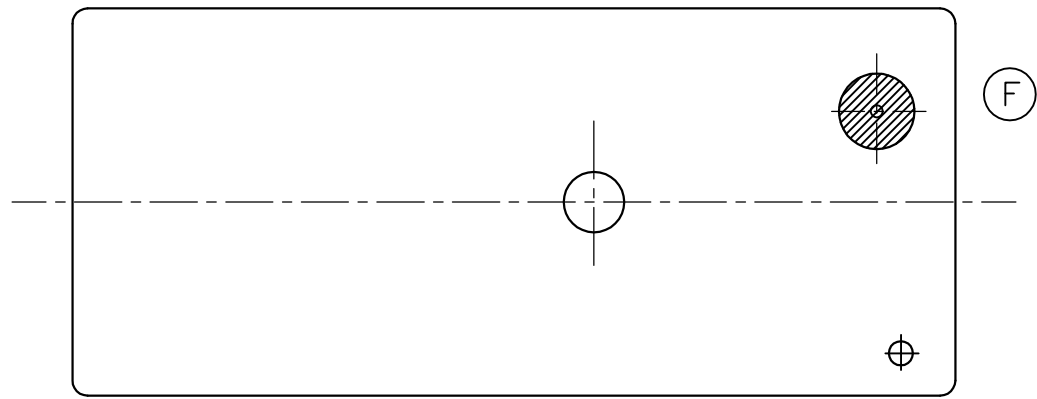
LOC
HB

DIST
-

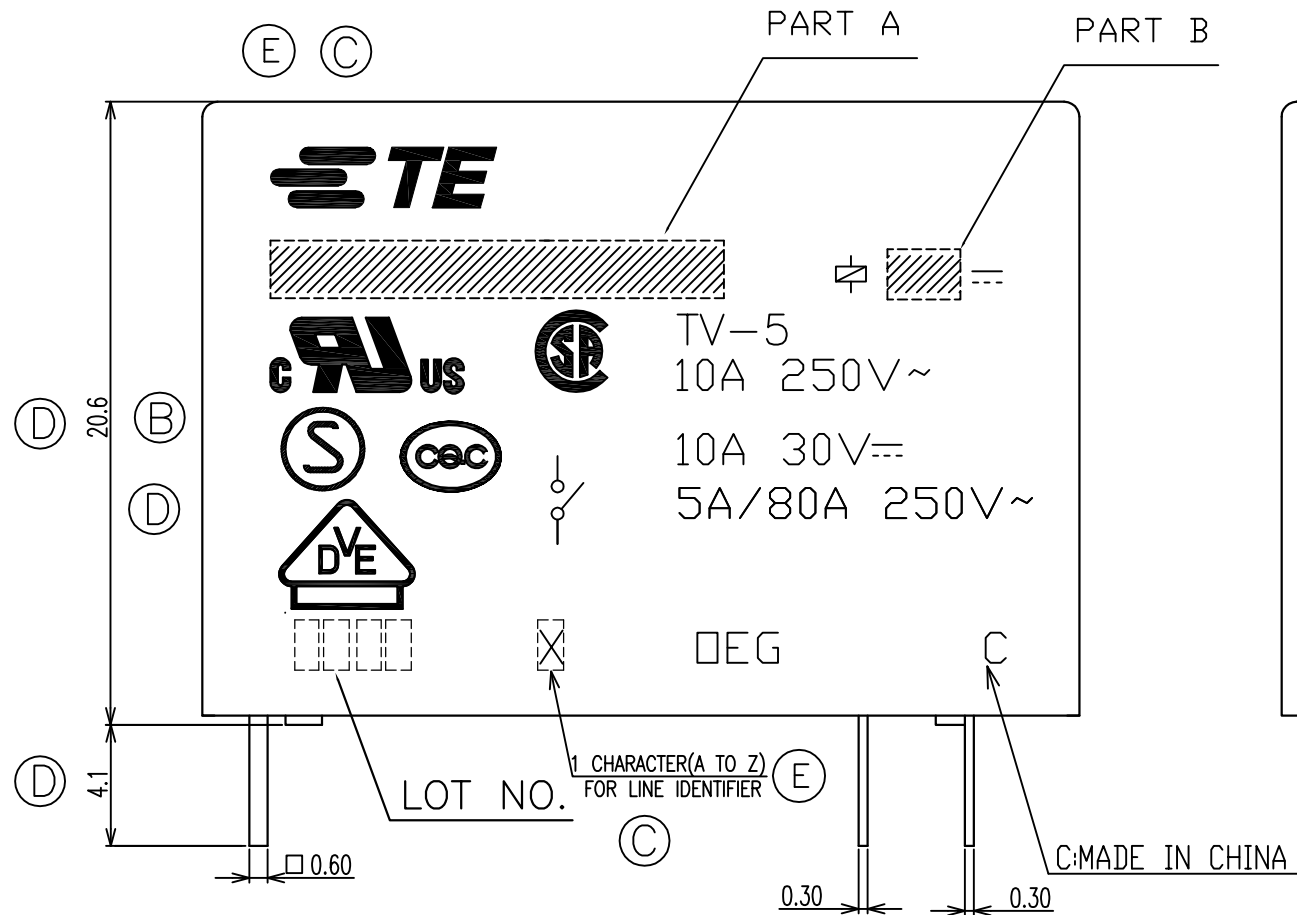
REVISIONS

P	LTR	DESCRIPTION	DATE	DWN	APVD
E		1.UPDATE TE LOGO&VDE LOGO 2.ADD LINE IDENTIFICATION 3.TERMINALS TOLERANCE CLARIFICATION4.VENT HOLE CHANGE	ECO-12-005726	06-APR-12	D.L BH.Y
F		CHANGE THE VENT HOLE SHAPE FROM RECTANGLE TO CIRCLE ONE	ECO-13-015347	16-DEC-13	XL,Y B,F

D



C

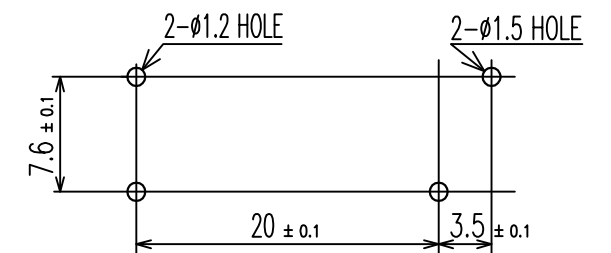


B

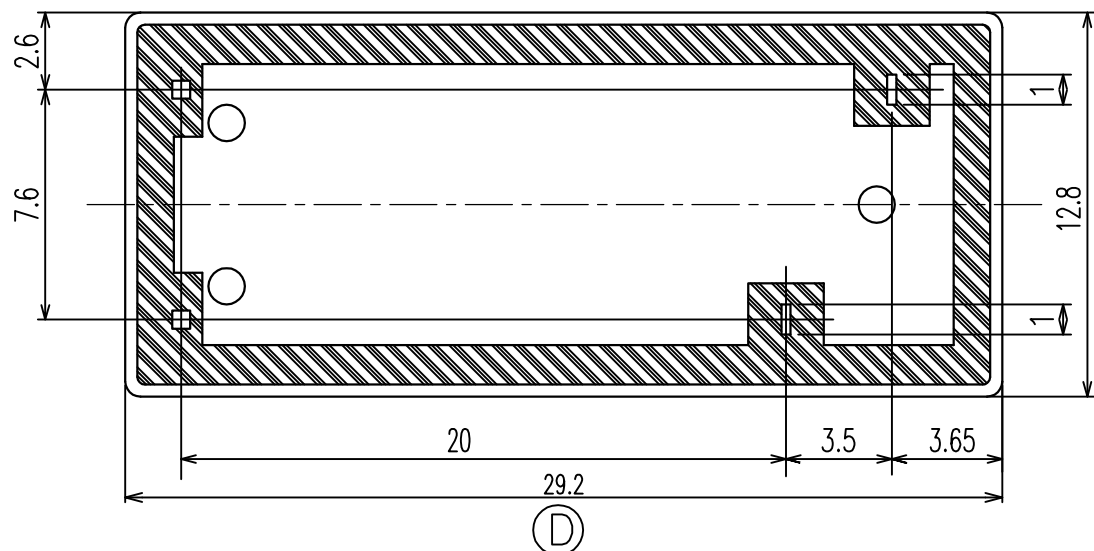
CONNECTION DIAGRAM
(BOTTOM VIEW)



DRILLING DIAGRAM(2/1)
(BOTTOM VIEW)



A



THIS DRAWING IS A CONTROLLED DOCUMENT.

DWN	Y.Xiao	-
CHK	N.Funayama	-
APVD	CH.HSU	-
PRODUCT SPEC	-	-
APPLICATION SPEC	-	-
WEIGHT	-	-
CUSTOMER DRAWING		

TE TE Connectivity

OMIT 1M CUSTOMER DRAWING

SIZE	CAGE CODE	DRAWING NO	RESTRICTED TO
A3	00779	©=1440001-6	-
SCALE	SHEET	REV	
4:1	1 of 2	F	

THIS DRAWING IS UNPUBLISHED.

RELEASED FOR PUBLICATION

© COPYRIGHT By TE Connectivity

ALL RIGHTS RESERVED.

LOC	DIST	REVISIONS			
P	LTR	DESCRIPTION	DATE	DWN	APVD
HB	-	SEE SHEET 1	-	-	-

NOTES:
 1.LOT NO. SYSTEM AS FOLLOWING:

0 8 2 5
 WEEK
 YEAR

2.GENERAL TOLERANCE AS FOLLOWING:


TOLERANCE	
0~0.99mm	±0.1
1mm~2.99mm	±0.2
3mm MIN.	±0.3

- Ⓒ 3.TERMINAL DIMENSION IS NOT INCLUDING SOLDER TIP.
- Ⓔ 4.FOR THE TIN-PLATING OF THE PINS:
 +0.1mm FOR WIDTH,THICKNESS AND DIAMETER.
 +0.5mm FOR LENGTH.

9-144000-7	OMIT-SH-124LM	24V	OMIT-SH-124LM	N
9-144000-5	OMIT-SH-109LM	9V	OMIT-SH-109LM	M
1440001-7	OMIT-SS-148DM	48V	OMIT-SS-148DM	L
1440001-8	OMIT-SS-148LM	48V	OMIT-SS-148LM	k
1440001-5	OMIT-SS-124DM	24V	OMIT-SS-124DM	j
1440001-6	OMIT-SS-124LM	24V	OMIT-SS-124LM	i
1-1461208-2	OMIT-SS-112DM	12V	OMIT-SS-112DM	h
1440001-4	OMIT-SS-112LM	12V	OMIT-SS-112LM	g
1461208-9	OMIT-SS-109DM	9V	OMIT-SS-109DM	f
1440001-1	OMIT-SS-109LM	9V	OMIT-SS-109LM	e
1461208-5	OMIT-SS-106DM	6V	OMIT-SS-106DM	d
1461208-7	OMIT-SS-106LM	6V	OMIT-SS-106LM	c
1461208-3	OMIT-SS-105DM	5V	OMIT-SS-105DM	b
1440001-0	OMIT-SS-105LM	5V	OMIT-SS-105LM	a
PART NO	PART A	PART B	DESCRIPTION	No.

RELAY TYPE

		UV RESIN	UV SEAL	16
		EPOXY RESIN	SEAL	15
UL94 V-0		PBT	CASE	14
CLASS E		UEW	MAGNETIC WIRE	13
UL94 V-0		PET	BASE	12
UL94 V-0		PBT	BOBBIN	11
	SOLDER DIP	CP WIRE	COIL TERMINAL	10
UL94 V-0		PPS	CARD	9
		Ag ALLOY	MOVABLE CONTACT	8
		Ag ALLOY	STATIONARY CONTACT	7
		Cu ALLOY	HINGE SPRING	6
	SOLDER DIP	Cu ALLOY	STATIONARY TERMINAL	5
	SOLDER DIP	Cu ALLOY	MOVABLE SPRING	4
		STEEL	CORE	3
		STEEL	ARMATURE	2
		STEEL	YOKE	1
INCOMBUSTIBILITY	TREATMENT	MATERIAL	DESCRIPTION	ITEM

THIS DRAWING IS A CONTROLLED DOCUMENT.		DWN Y.Xiao	 TE Connectivity											
DIMENSIONS: mm		CHK N.Funayama												
TOLERANCES UNLESS OTHERWISE SPECIFIED:		APVD CH.HSU	NAME OMIT 1M CUSTOMER DRAWING											
<table border="1"> <tr><td>0 PLC</td><td>±</td></tr> <tr><td>1 PLC</td><td>±</td></tr> <tr><td>2 PLC</td><td>±</td></tr> <tr><td>3 PLC</td><td>±</td></tr> <tr><td>4 PLC</td><td>±</td></tr> <tr><td>ANGLES</td><td>±</td></tr> </table>		0 PLC				±	1 PLC	±	2 PLC	±	3 PLC	±	4 PLC	±
0 PLC	±													
1 PLC	±													
2 PLC	±													
3 PLC	±													
4 PLC	±													
ANGLES	±													
MATERIAL		APPLICATION SPEC	SIZE	CAGE CODE	DRAWING NO	RESTRICTED TO								
		WEIGHT	A3	00779	①=1440001-6	-								
		CUSTOMER DRAWING	SCALE	SHEET	REV									
			4:1	2 of 2	F									

X-ON Electronics

Largest Supplier of Electrical and Electronic Components

Click to view similar products for [General Purpose Relays](#) category:

Click to view products by [TE Connectivity](#) manufacturer:

Other Similar products are found below :

[PCN-105D3MH,000](#) [59641F200](#) [LY1SAC110120](#) [5X827E](#) [5X837F](#) [5X840F](#) [5X842F](#) [5X848E](#) [LY2N-AC120](#) [LY2S-AC220/240](#) [LY2-US-AC120](#) [LY3-US-AC120](#) [LY4F-UA-DC12](#) [LY4F-UA-DC24](#) [LY4F-US-AC120](#) [LY4F-US-AC240](#) [LY4F-US-DC24](#) [LY4F-VD-AC110](#) [LYQ20DC12](#) [M115C60](#) [M115N010](#) [M115N0150](#) [6031007G](#) [603-12D](#) [61211T0B4](#) [61212T400](#) [61222Q400](#) [61243B600](#) [61243C500](#) [61243Q400](#) [61311BOA2](#) [61311BOA6](#) [61311BOA8](#) [61311C0A2](#) [61311COA1](#) [61311COA6](#) [61311F0A2](#) [61311QOA1](#) [61311QOA4](#) [61311T0D6](#) [61311TOA6](#) [61311TOA7](#) [61311TOB3](#) [61311TOB4](#) [61311U0A6](#) [61312Q600](#) [61312T400](#) [61312T600](#) [61313U200](#) [61313U400](#)