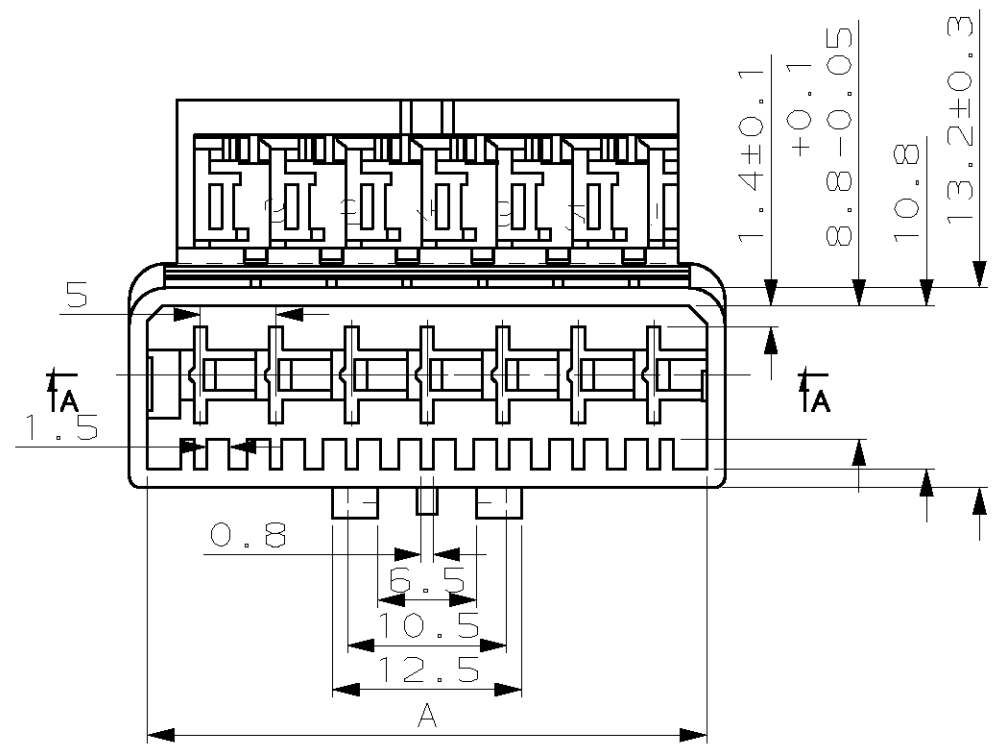
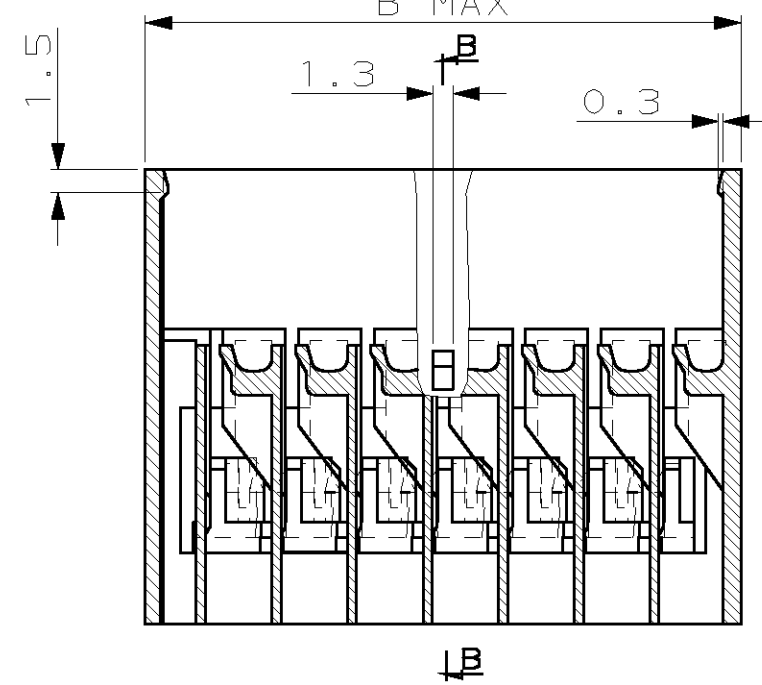
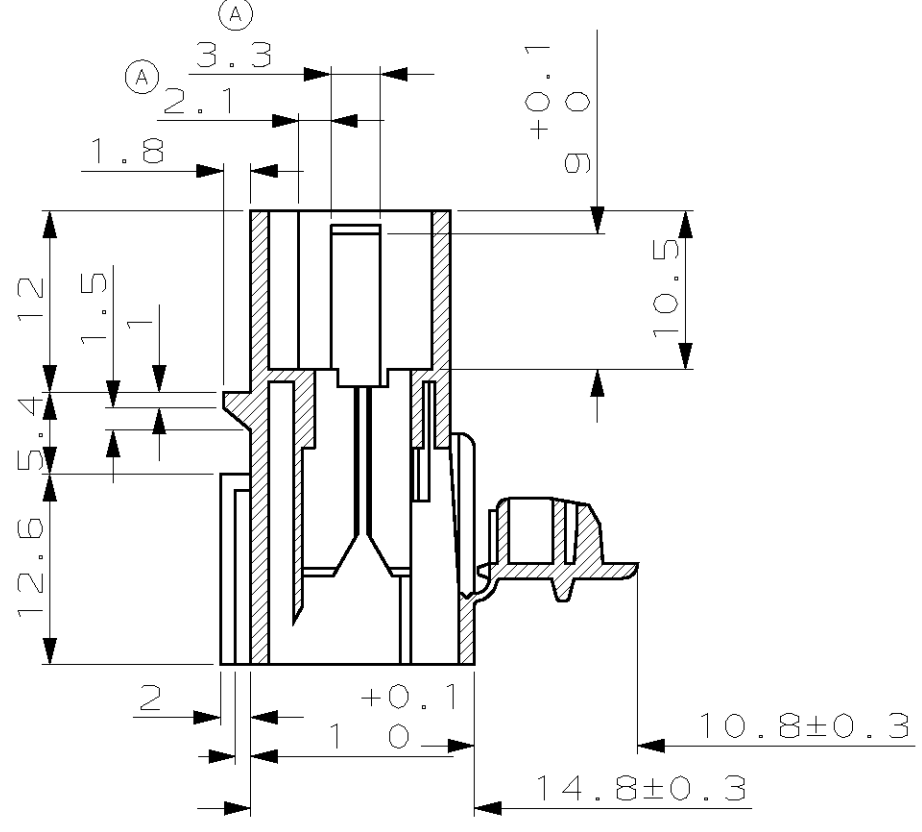


THIS DRAWING IS UNPUBLISHED. RELEASED FOR PUBLICATION ,19 .
 © COPYRIGHT BY TYCO ELECTRONICS CORP. ALL RIGHTS RESERVED.

LOC		DIST		REVISIONS					
F		7		P	LTR	DESCRIPTION	DATE	DWN	APVD
				B		TABLE REFERENCES	12-JUN-02	RP	-

COUPE B-B

COUPE A-A



64.7	62	12	144837-2
59.7	57	11	144837-1
54.7	52	10	144836-0
49.7	47	9	144836-9
44.7	42	8	144836-8
39.7	37	7	144836-7
34.7	32	6	144836-6
29.7	27	5	144836-5
24.7	22	4	144836-4
B	A	Nb de VOIES (Nb of WAYS)	REFERENCES

THIS DRAWING IS A CONTROLLED DOCUMENT.		DWN Remi PATIN 12-JUN-02	tyco TYCO ELECTRONICS FRANCE SAS	
DIMENSIONS: mm		CHK Jacques LALANGE 12-JUN-02	Electronics BP 39, 95301 CERGY-PONTOISE CEDEX	
TOLERANCES UNLESS OTHERWISE SPECIFIED:		APVD Jean Jacques REVIL 12-JUN-02	NAME	
0-PLC ±		PRODUCT SPEC		
1-PLC ±0.3		APPLICATION SPEC		
2-PLC ±		SIZE CAGE CODE DRAWING NO RESTRICTED TO		
3-PLC ±		A3 00779 C- 144836		
4-PLC ±		CUSTOMER DRAWING SCALE 2:1 SHEET 1 OF 2 REV B		
ANGLES ±5°		WEIGHT -		
MATERIAL PA 6.6		FINISH -		

C

B

A

	5-144836-4	BLUE (BLEU) 6-144836-4		5-144836-5	BLUE (BLEU) 6-144836-5
	7-144836-4	VIOLET		7-144836-5	VIOLET
	8-144836-4	GRAY (GRIS)		8-144836-5	GRAY (GRIS)
	9-144836-4	WHITE (BLANC)		9-144836-5	WHITE (BLANC)

7 POSITIONS		8 POSITIONS		9 POSITIONS		10 POSITIONS	
	BLACK (NOIR) 0-144836-7		BLACK (NOIR) 0-144836-8		BLACK (NOIR) 0-144836-9		BLACK (NOIR) 0-144836-0
	BROWN (MARRON) 1-144836-7		BROWN (MARRON) 1-144836-8		BROWN (MARRON) 1-144836-9		BROWN (MARRON) 1-144836-0
	RED (ROUGE) 2-144836-7		RED (ROUGE) 2-144836-8		RED (ROUGE) 2-144836-9		RED (ROUGE) 2-144836-0
	ORANGE 3-144836-7		ORANGE 3-144836-8		ORANGE 3-144836-9		ORANGE 3-144836-0
	YELLOW (JAUNE) 4-144836-7		YELLOW (JAUNE) 4-144836-8		YELLOW (JAUNE) 4-144836-9		YELLOW (JAUNE) 4-144836-0
	GREEN (VERT) 5-144836-7		GREEN (VERT) 5-144836-8		GREEN (VERT) 5-144836-9		GREEN (VERT) 5-144836-0
	BLUE (BLEU) 6-144836-7		BLUE (BLEU) 6-144836-8		BLUE (BLEU) 6-144836-9		BLUE (BLEU) 6-144836-0
	VIOLET 7-144836-7		VIOLET 7-144836-8		VIOLET 7-144836-9		VIOLET 7-144836-0
	GRAY (GRIS) 8-144836-7		GRAY (GRIS) 8-144836-8		GRAY (GRIS) 8-144836-9		GRAY (GRIS) 8-144836-0
	WHITE (BLANC) 9-144836-7		WHITE (BLANC) 9-144836-8		WHITE (BLANC) 9-144836-9		WHITE (BLANC) 9-144836-0

12 POSITIONS	
	BLACK (NOIR) 0-144837-2
	BROWN (MARRON) 1-144837-2
	RED (ROUGE) 2-144837-2
	ORANGE 3-144837-2
	YELLOW (JAUNE) 4-144837-2
	GREEN (VERT) 5-144837-2
	BLUE (BLEU) 6-144837-2
	VIOLET 7-144837-2
	GRAY (GRIS) 8-144837-2
	WHITE (BLANC) 9-144837-2

THIS DRAWING IS A CONTROLLED DOCUMENT	
DIMENSIONS: mm	TOLERANCES UNLESS OTHERWISE SPECIFIED
	0-PLC ±
	1-PLC ±0.3
	2-PLC ±
	3-PLC ±
	4-PLC ±
	ANGLES ±5
MATERIAL VOIR FEUILLE 1	FINISH -

X-ON Electronics

Largest Supplier of Electrical and Electronic Components

Click to view similar products for [Terminals](#) category:

Click to view products by [TE Connectivity](#) manufacturer:

Other Similar products are found below :

[HT-13-10](#) [71M-250-32-NB](#) [01-2065-1-0216](#) [00581P0075](#) [M10-10RX](#) [M10BCK](#) [60205-1](#) [604200-1](#) [60598-1-CUT-TAPE](#) [60617-1-C](#) [60873-1](#) [M14-516R/SK](#) [M14-6RSX](#) [M18-8FBX](#) [M18-8R/LX](#) [M18BCK](#) [61314-6-C](#) [61-S](#) [61-SN-A](#) [62-NBM-A](#) [63-S](#) [640179-1](#) [640917-2-CUT-TAPE](#) [6501550002](#) [66107-2-C](#) [696683-1](#) [696834-1](#) [696861-1](#) [696931-1](#) [696999-1](#) [M8-516RK](#) [M86700006](#) [MA250DMFMX-A](#) [701-2007](#) [701-2307](#) [701-7761-03](#) [70F-110-32-PB](#) [718-N-A](#) [71M-187-20-NBL](#) [71M-250-32-NBL](#) [72F-187-20-NBL](#) [72M-250-32-NBL](#) [7310](#) [73F-250-32](#) [73F-250-32-NL](#) [F14-10C](#) [F-1M](#) [751-250](#) [76650-5002](#) [76828-149](#)