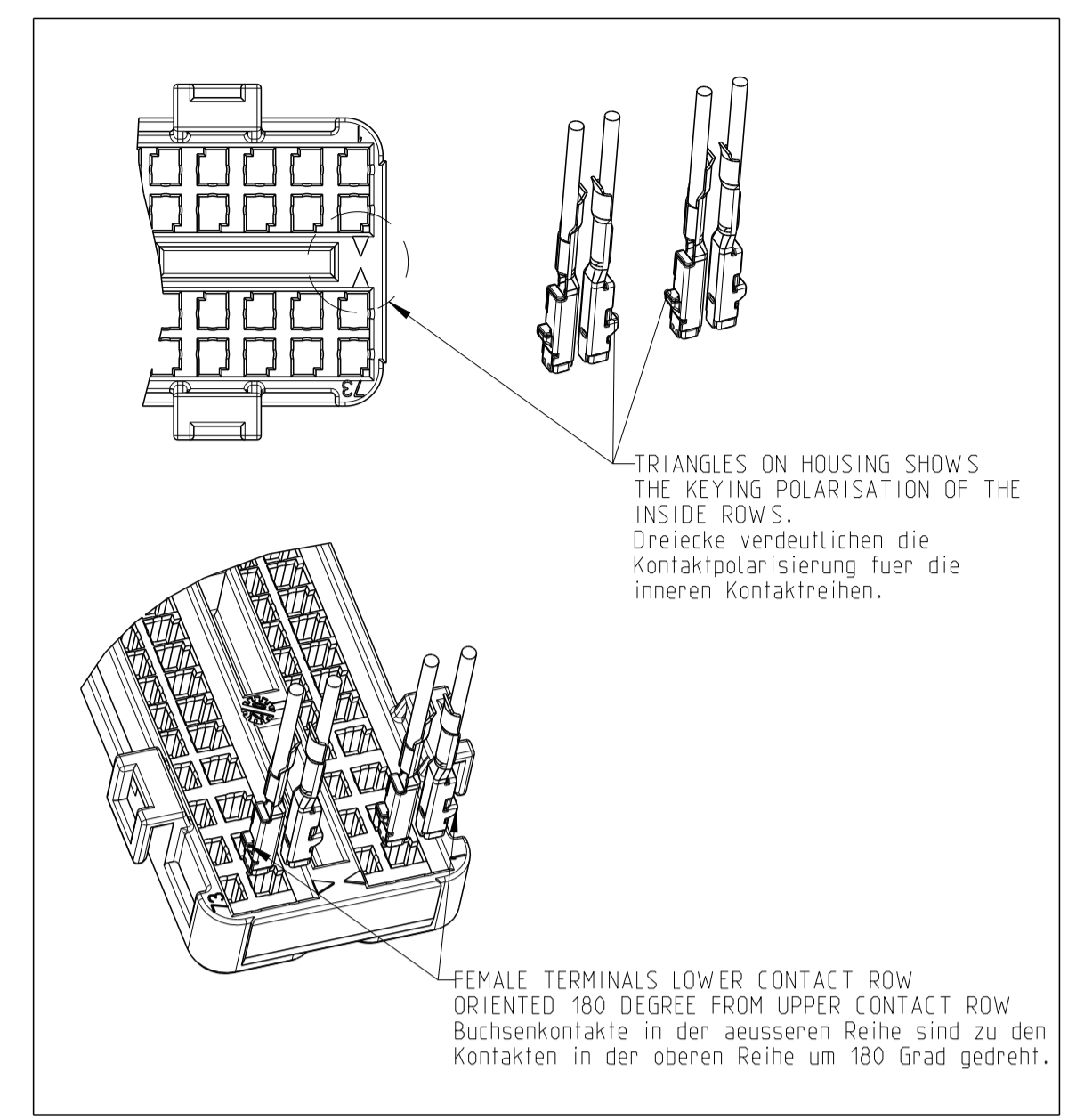
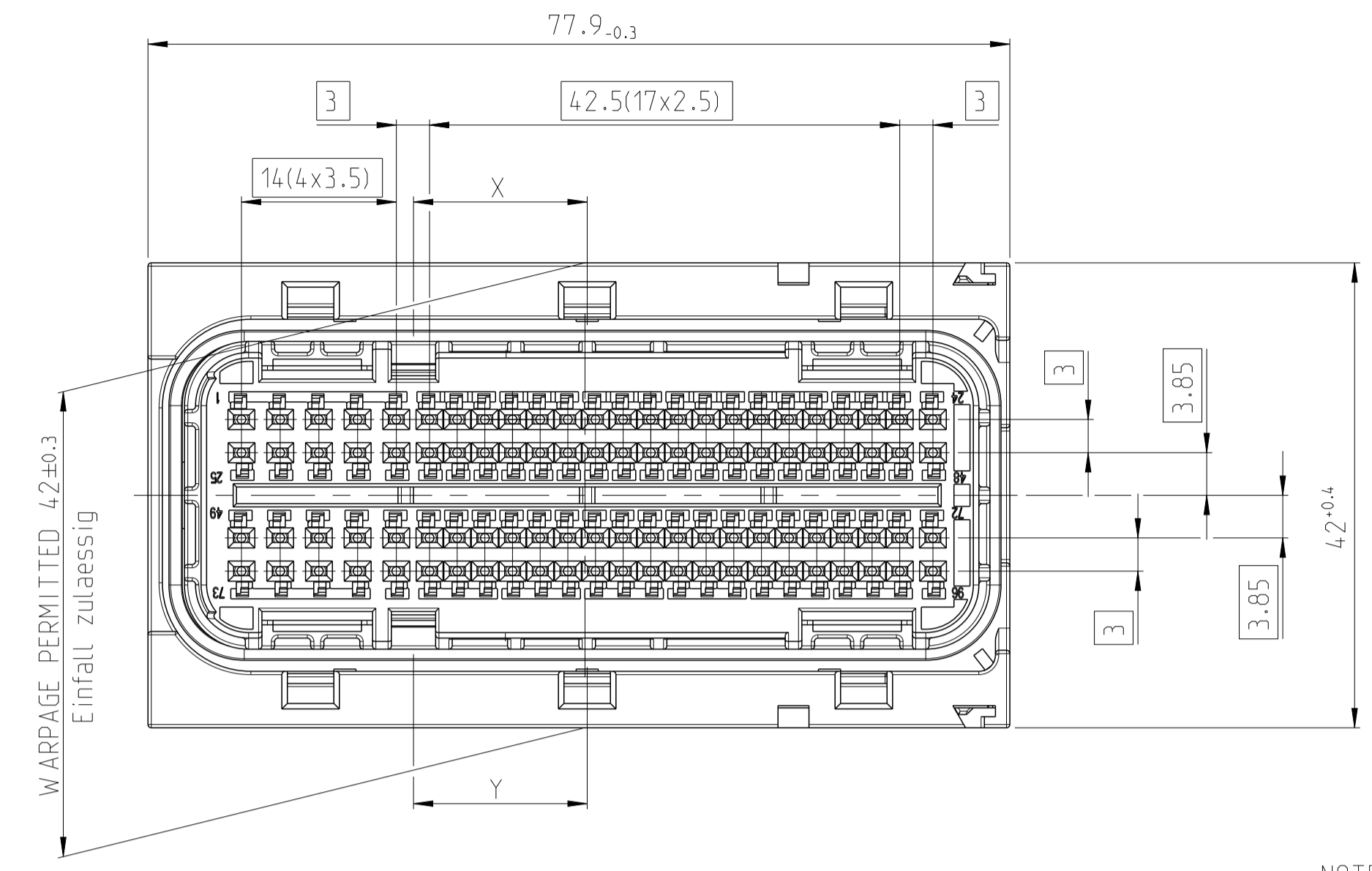


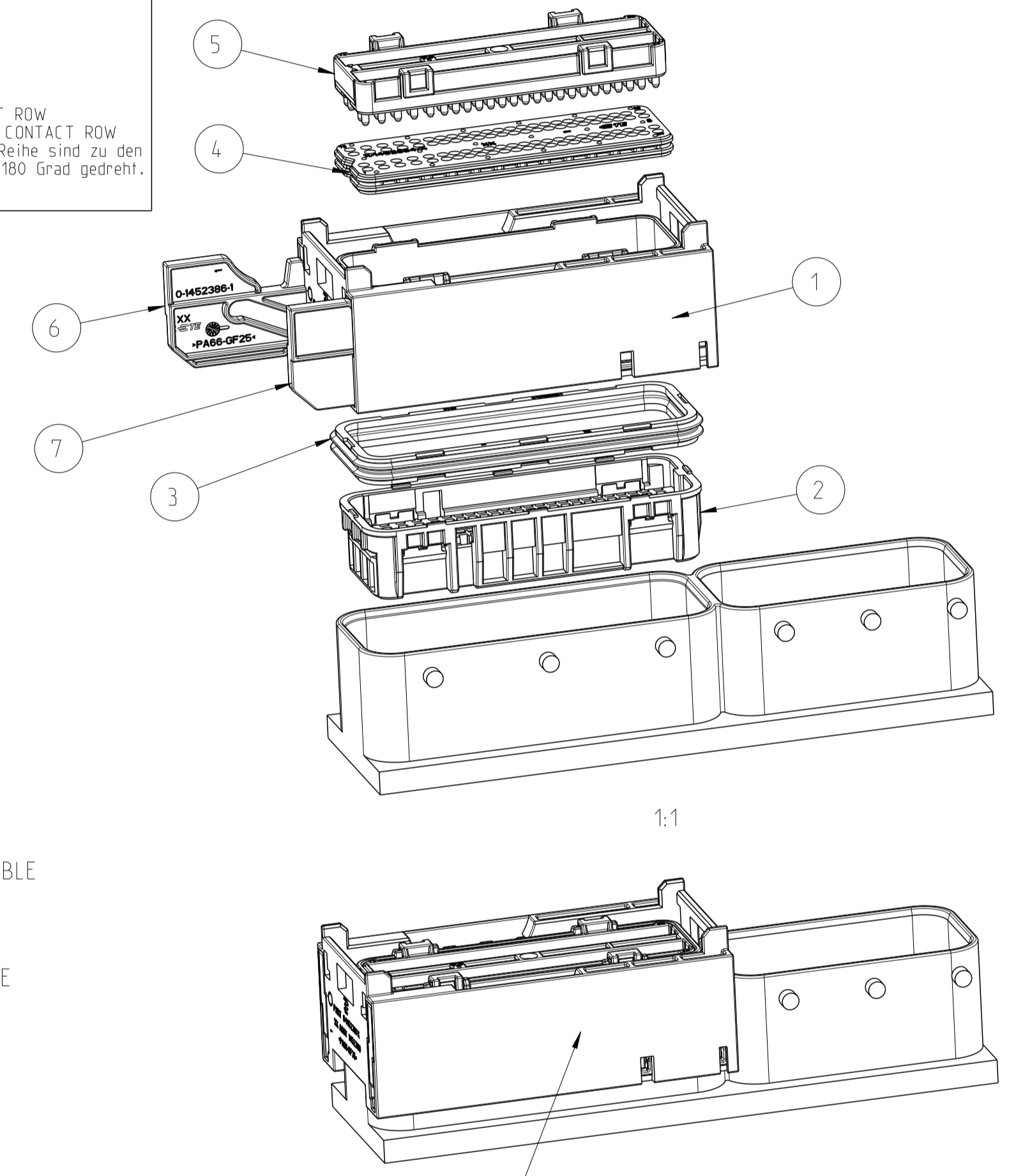
UP TO
 0.75 mm²
 WIRE SIZE

-	-	-
A	15.7	15.7
CODING	X	Y

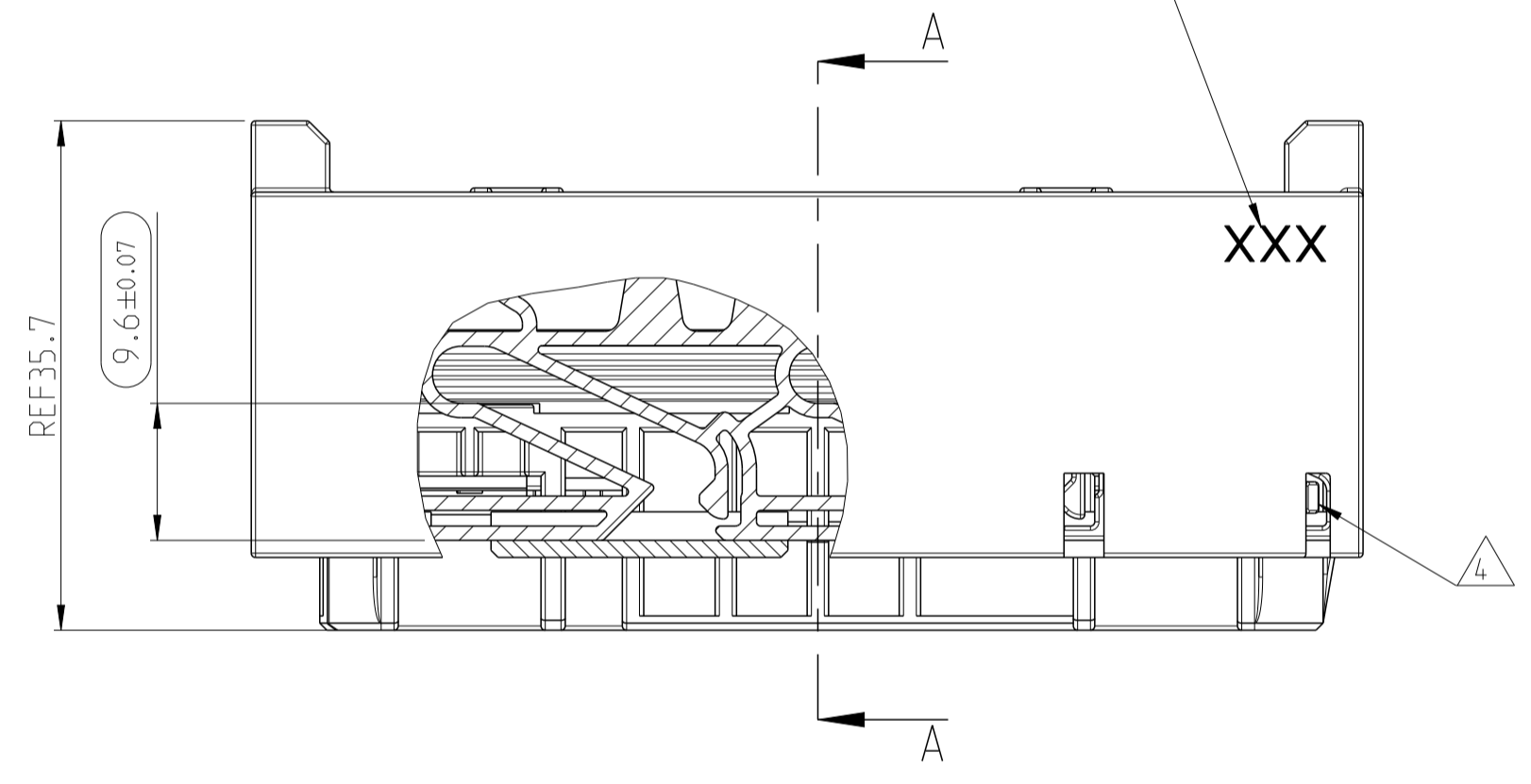
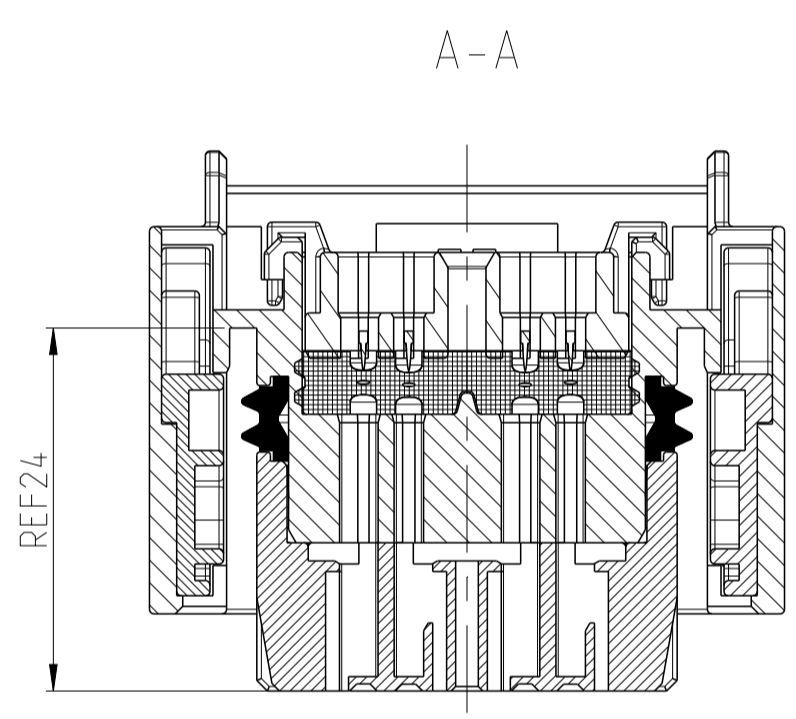


LOC	DIST	REVISIONS					
A1	-	P	LTH	DESCRIPTION	DATE	OWN	APVD
		L5		ECR-16-013617	23SEP2016	KC	SH
		L6		ECR-16-014434	12OCT2016	KC	SH
		L7		ECR-17-008199	15JUNE2017	KC	PT
		L8		ECR-20-009664	08JUL2020	VKS	PT

QTY	REQD PER ASSY	ASSY NO	MATERIAL	DESCRIPTION	COLOUR	ITEM NO
1x		PA66-GF25		96 POS. PCM CON. SLIDE RIGHT	BLACK	7
1x		PA66-GF25		96 POS. PCM CON. SLIDE LEFT	BLACK	6
1x		PBT-GF20		96 POS. PCM CON. COVER FOR FAMILY SEAL	BLACK	5
1x		SILICONE		96 POS. PCM CON. FAMILY SEAL	WHITE	4
1x		SILICONE		96 POS. PCM CON. PERIPHERAL SEAL	WHITE	3
1x		PA66-GF35		96 POS. PCM CON. CONTACT HOUSING	BLACK	2
1x		PA66-GF35		96 POS. PCM CON. FEMALE HOUSING	BLACK	1
70		X-1452380-X		WEIGHT OF EACH ASSY NO (g)		



MARKING FOR PINOUTCONFIGURATION
 SEE TABLE SHEET 2
 Markierung fuer Pinoutkonfigkonfiguration
 siehe Tabelle Blatt 2



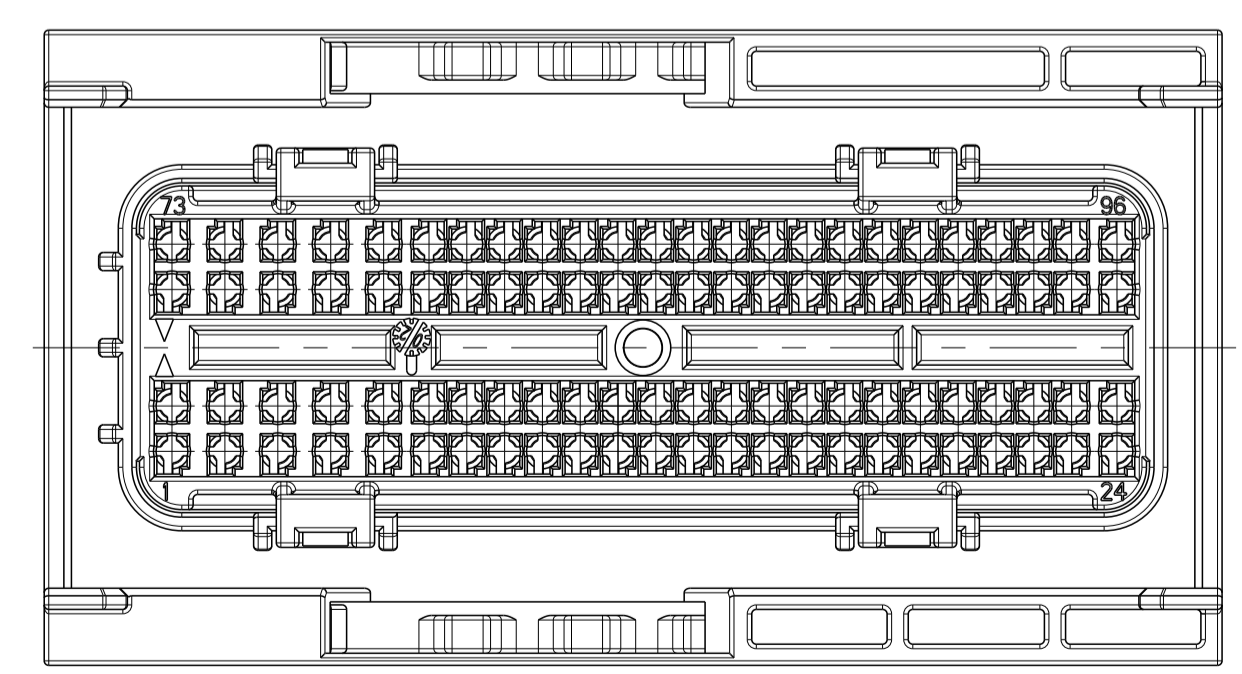
- NOTES:
 Bemerkungen:
- ASSY. USED WITH PARTS:
 Assy verwendet mit folgenden Teilen:
 HEADER BOSCH: PN: 000 20633 614
 HEADER TE: PN: 0-1565428-1
 - MATED WITH:
 Passend zu:
 COVER PN: 1452389, 0-1452862-1
 2-NDARY LOCK PN: 0-1452388-1
 Kappe PN: 1452389, 0-1452862-1
 2te Kontaktsicherung PN: 0-1452388-1
- THE HEADER IS NOT A PART OF THE DELIVERED ASSY.
 Der Header ist kein Bestandteil der gelieferten ASSY.
- SEALING FUNCTION REQUIRES ONLY FOLLOWING WIRE SIZE DIAMETERS FOR THE SIGNAL TERMINALS:
 Zur Sicherstellung der Dichtigkeit duerten folgende Drahtquerschnitte bei den Signalkontakten verwendet werden:
- 0.5mm² - 0.75mm² = ISO Ø1.4-1.9mm
 FOR ALL WITH "X" MARKED CAVITIES. SEE PINOUT CONFIGURATION TABLE fuer alle markierten Felder mit "X" in der Pinbelegungstabelle
 - 1.0mm² - 1.5mm² = ISO Ø1.9-2.4mm
 FOR ALL WITH NUMBERED CAVITIES. SEE PINOUT CONFIGURATION TABLE fuer alle nummerierten Felder in der Pinbelegungstabelle
- ASSY DELIVERED WITH SLIDES IN ENDOLOCK POSITION
 Anlieferungszustand Schieber in Endraststellung
 - TE-PN SHOWN AS "NOT USED" WERE RAISED FOR THE CONNECTOR TE-PN: X-1452419-X
 TE-Nr. mit "NOT USED" in der Pinbelegungstabelle werden verwendet im Stecker TE-Nr: X-1452419-X
 - TE-PN SHOWN AS "NOT USED" WERE RAISED FOR THE CONNECTOR TE-PN: X-1452423-X
 TE-Nr. mit "NOT USED" in der Pinbelegungstabelle werden verwendet im Stecker TE-Nr: X-1452423-X
- INSPECTION DIMENSION
 Kontrollmasse

* 1394897 WILL BE REPLACED DURING NEXT YEAR BY 1670144
 * 1394897 wird innerhalb eines Jahres ersetzt durch 1670144

TERMINALS TE PN	FINISH Oberflaeche	WIRE SIZE (mm ²) Drahtquerschnitt (mm ²)	NOTES Bemerkungen
0-1452503-3		1.0 - 1.5	
0-1670144-3 *	SILVER PLATED	0.5 - 0.75	
0-1534594-3		0.25 - 0.35	
0-1452503-2		1.0 - 1.5	
0-1670144-2 *	GOLD PLATED	0.5 - 0.75	
0-1534594-2		0.25 - 0.35	
0-1452503-1		1.0 - 1.5	
0-1670144-1 *	PRE-TIN	0.5 - 0.75	
0-1534594-1		0.25 - 0.35	

BLINDPLUG
 Blindstopfen
 0.75mm²
 PN 1-1452424-1
 BROWN / Braun

1.5mm²
 PN 1-1452424-2
 BLUE / Blau



THIS DRAWING IS A CONTROLLED DOCUMENT.		OWN K.ROTH 12MAR2002	TE Connectivity	
DIMENSIONS: mm		CHK S.DENTER 12MAR2002		
TOLERANCES UNLESS OTHERWISE SPECIFIED:		APVD E. MUMMER 14MAR2002	NAME 96POS. RECEPTACLE HOUSING ASSEMBLY	
0 PLC # 1 PLC # 2 PLC # 3 PLC # 4 PLC # ANGLES #°		APPLICATION SPEC 114-18534-1	SIZE CAGE CODE DRAWING NO RESTRICTED TO	
MATERIAL		WEIGHT	A1 00779 ©=1452380	
		Customer Drawing	SCALE 2:1 SHEET 1 OF 3 REV. 8	

X-ON Electronics

Largest Supplier of Electrical and Electronic Components

Click to view similar products for [Automotive Connectors](#) category:

Click to view products by [TE Connectivity](#) manufacturer:

Other Similar products are found below :

[003-018-000](#) [60403001](#) [60993906-B](#) [M902-2131](#) [M902-2161](#) [72.330.1035.1](#) [73.353.4028.0](#) [F119300-B](#) [F166900](#) [F258300-B](#) [F358300-B](#)
[F407400](#) [F444110](#) [F487000](#) [F509500B-B](#) [827153-1](#) [8N1515-32-24P](#) [9-1326729-8](#) [925474-1](#) [928905-1](#) [964562-4](#) [968782-1](#) [GT17SA-8DS-](#)
[HU](#) [98891-1012](#) [98947-1016](#) [12004147](#) [12004475-L](#) [12010290](#) [12010309-B](#) [12015454](#) [12020219-B](#) [12020308](#) [12041318-B](#) [12052225-L](#)
[12052466](#) [12059125](#) [12064869](#) [12004327-B](#) [12010503-B](#) [12015308](#) [12015384](#) [12015909](#) [1-21030-1](#) [12041254](#) [12041318](#) [12047946-B](#)
[12047957](#) [12047957-L](#) [12059473](#) [12066261](#)