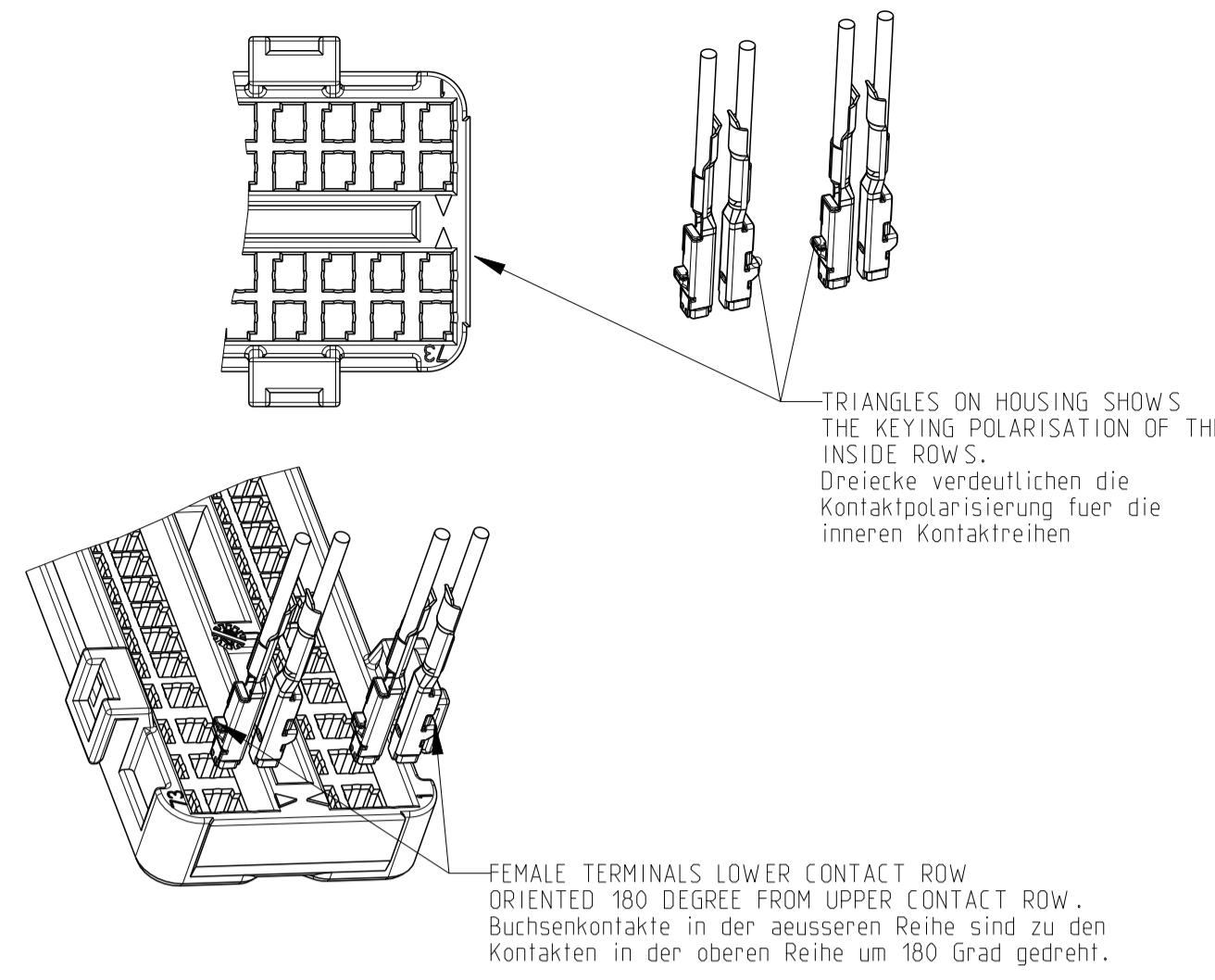
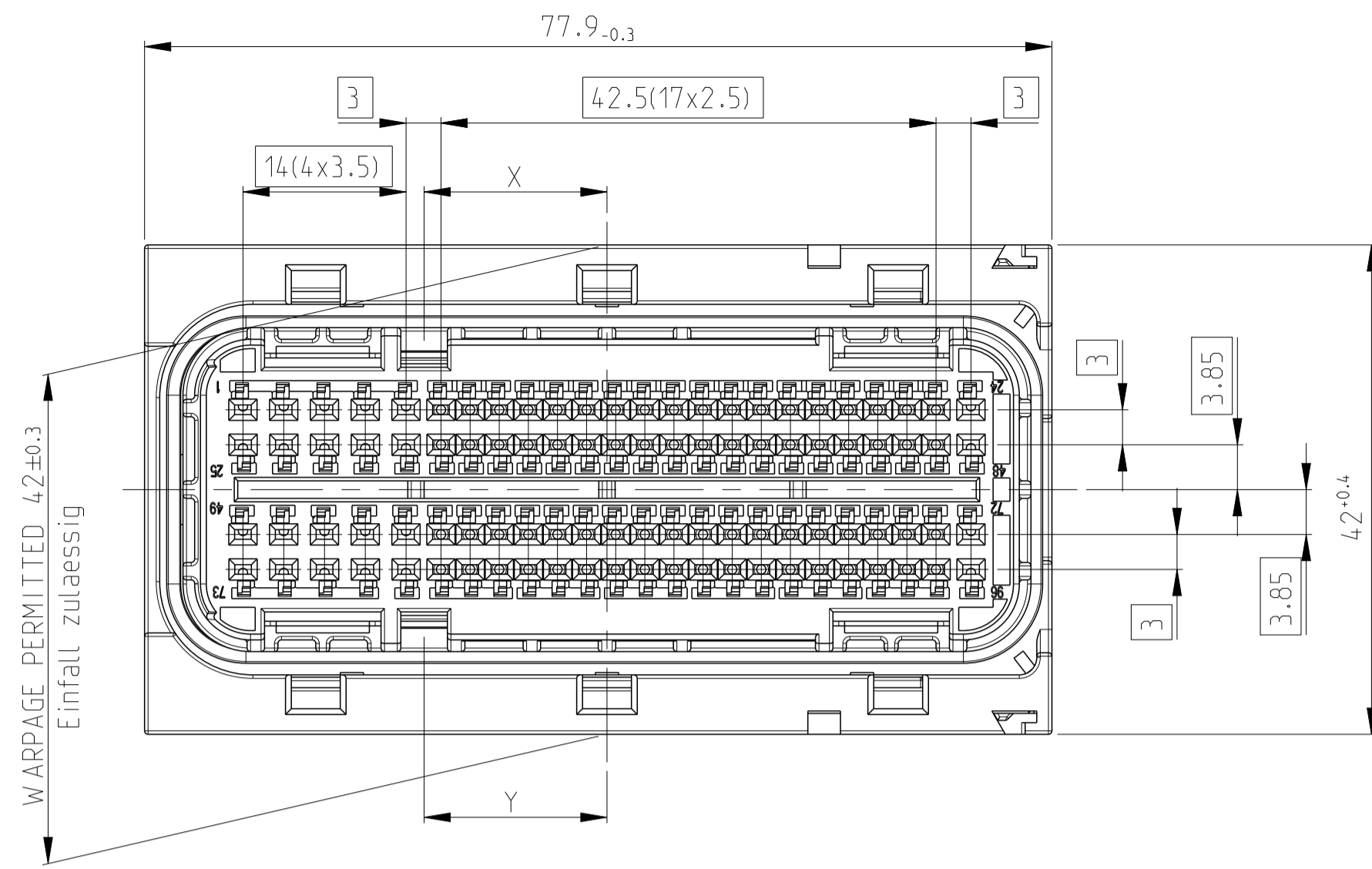


**UP TO
1,5mm²
WIRE SIZE**

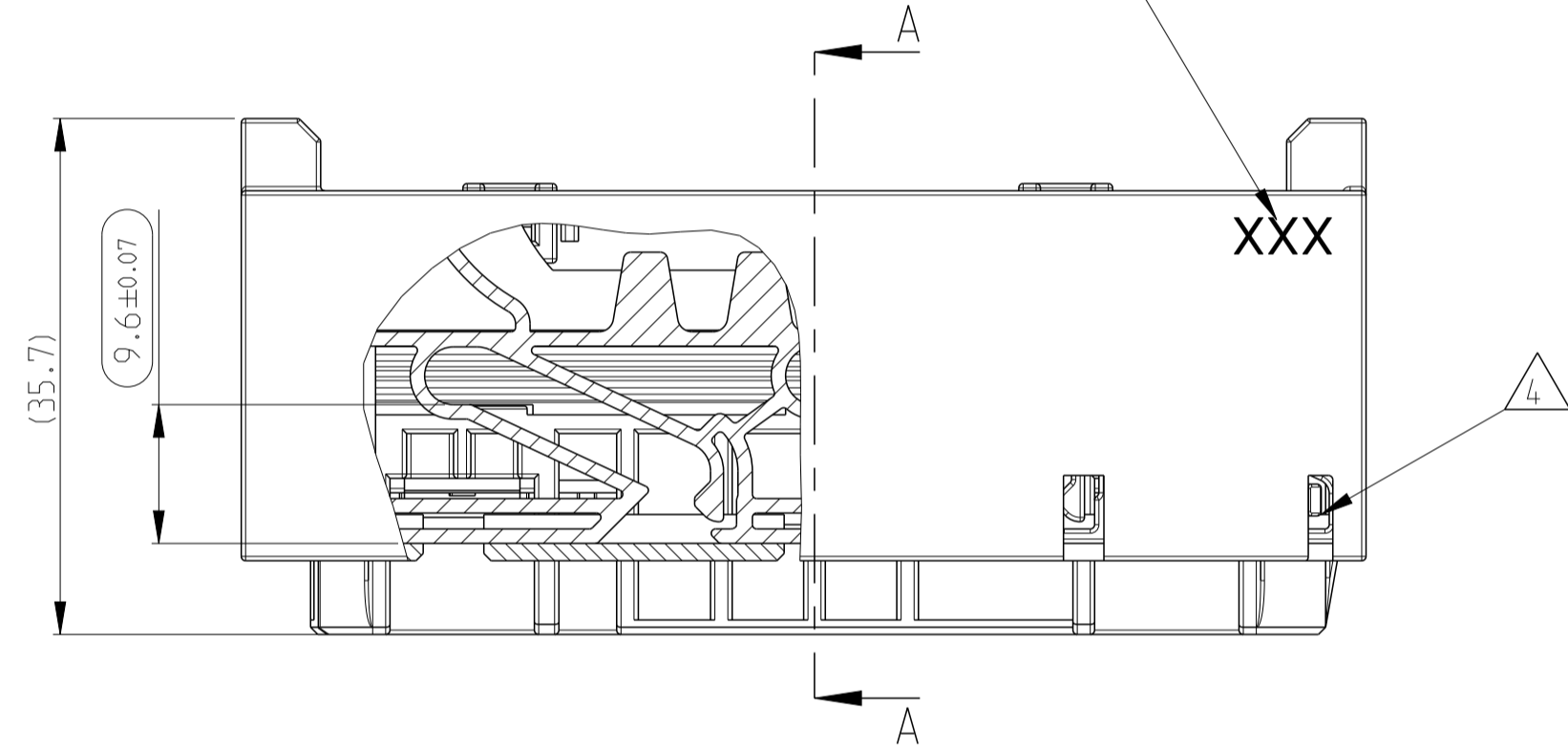
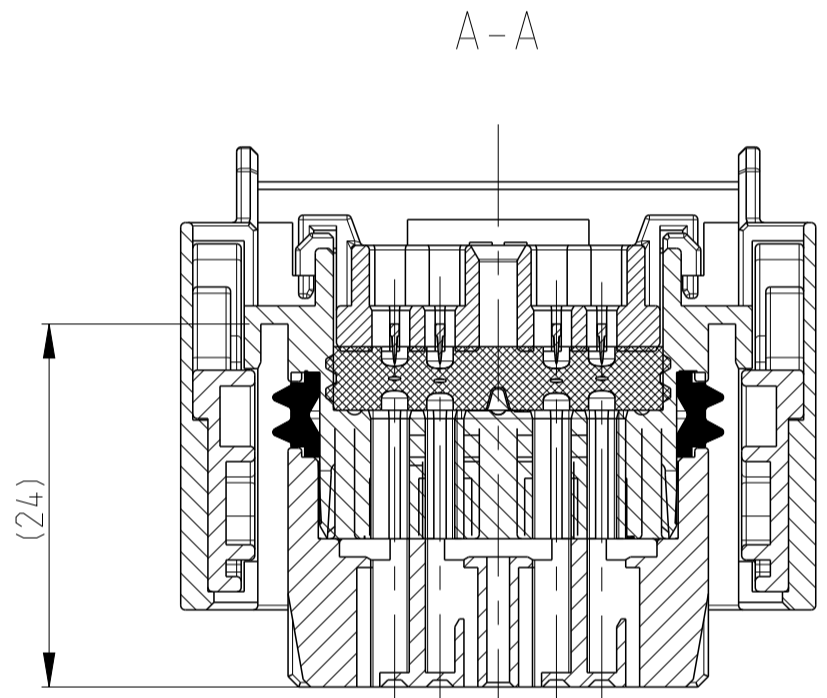
-	-	-
A	15.7	15.7
CODING	X	Y



REVISONS		DESCRIPTION	DATE	OWN	APVD
L	ECR-11-005928		17JAN2012	PT	GM
L1	ECR-12-005745		28MAR2012	SH	GM
L2	ECR-13-008465		24MAY2013	SH	GM
L3	ECR-20-009464		09JULY2020	KC	SH

QTY	RECD PER ASSY	ASSY NO	MATERIAL	DESCRIPTION	COLOUR	ITEM NO
1x		PA66-GF25		96 POS. PCM CON. SLIDE RIGHT	BLACK	7
1x		PA66-GF25		96 POS. PCM CON. SLIDE LEFT	BLACK	6
1x		PBT-GF20		96 POS. PCM CON. COVER FOR FAMILY SEAL	BLACK	5
1x		SILICONE		96 POS. PCM CON. FAMILY SEAL	GREY	4
1x		SILICONE		96 POS. PCM CON. PERIPHERAL SEAL	WHITE	3
1x		PA66-GF35		96 POS. PCM CON. CONTACT HOUSING	BLACK	2
1x		PA66-GF35		96 POS. PCM CON. FEMALE HOUSING	BLACK	1
70.00				WEIGHT OF EACH ASSY NO [g]		
PARTS LIST						

MARKING FOR PINOUTCONFIGURATION
SEE TAB SHEET 2
Markierung fuer Pinoutkonfiguration
siehe Tabelle Blatt 2



NOTES:
Bemerkungen:

ASSY. USED WITH PARTS:
Assy verwendet mit folgenden Teilen:
HEADER BOSCH: PN: 000 20633 614
HEADER TE: PN 0-1565428-1

THE HEADER IS NOT A PART OF THE DELIVERED ASSY.
Der Header ist kein Bestandteil der gelieferten ASSY.

MATED WITH:
Passend zu:
COVER PN: 1452389, 0-1452862-1
2-NDARY LOCK PN: 0-1452388-1
Kappe PN: 1452389, 0-1452862-1
2te Kontaktsicherung PN: 0-1452388-1

SEALING FUNCTION REQUIRES ONLY FOLLOWING WIRE SIZE DIAMETERS FOR THE SIGNAL TERMINALS:
Zur Sicherstellung der Dichtigkeit duerfen folgende Drahtquerschnitte bei den Signalkontakten verwendet werden:

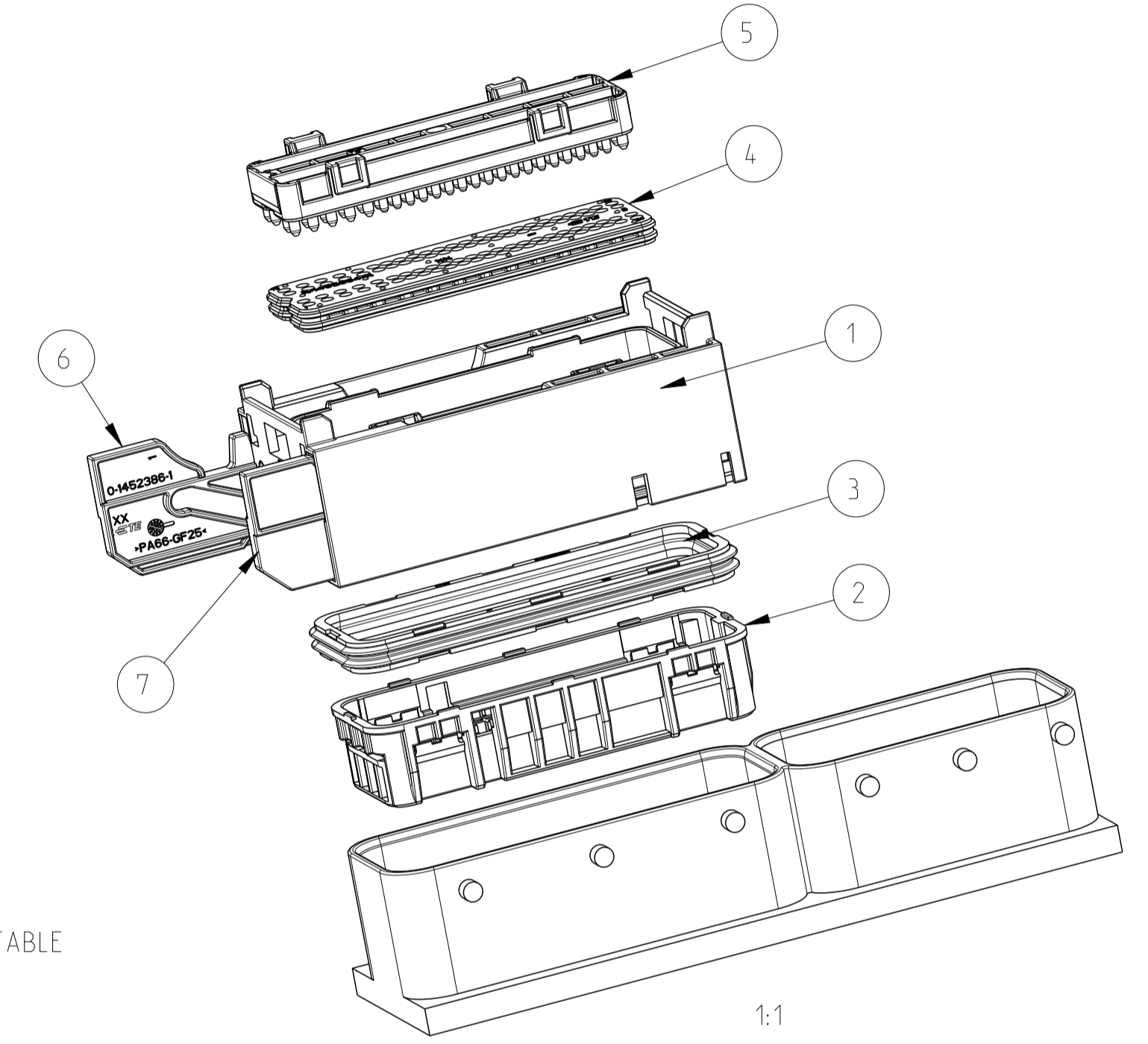
- a) 0.5mm² - 0.75mm² = ISO Ø 1.4-1.9 mm
FOR ALL WITH "X" MARKED CAVITIES. SEE PINOUT CONFIGURATION TABLE fuer alle markierten Felder mit "X" in der Pinbelegungstabelle
- b) 1.0mm² - 1.5mm² = ISO Ø 1.9-2.4mm
FOR ALL WITH NUMBERED CAVITIES. SEE PINOUT CONFIGURATION TABLE fuer alle nummerierten Felder in der Pinbelegungstabelle

ASSY DELIVERED WITH SLIDES IN ENDOCK POSITION
Anlieferungszustand Schieber in Endraststellung

TE-PN SHOWN AS "NOT USED" WERE RAISED FOR THE CONNECTOR TE-PN: X-1452380-X
TE-Nr. mit "NOT USED" in der Pinbelegungstabelle werden verwendet im Stecker TE-Nr: X-1452380-X

TE-PN SHOWN AS "NOT USED" WERE RAISED FOR THE CONNECTOR TE-PN: X-1452419-X
TE-Nr. mit "NOT USED" in der Pinbelegungstabelle werden verwendet im Stecker TE-Nr: X-1452419-X

INSPECTION DIMENSION
Kontrollmasse



HOUSING IN ENDOCKED POSITION
WITHOUT COVER ASSEMBLY
Gehaeuse in Endraststellung,
ohne Kappenassay

* 1394897 WILL BE REPLACED DURING NEXT YEAR BY 1670144
* 1394897 wird innerhalb eines Jahres ersetzt durch 1670144

TERMINALS TE PN TE Kontakte PN	FINISH Oberflaeche	WIRE SIZE (mm ²) Drahtquerschnitt (mm ²)	NOTES Bemerkungen
0-1452503-3		1.0 - 1.5	BLINDPLUG Blindstopfen 0.75mm ² PN 1-1452424-1 BRÖWN / Braun 1.5mm ² PN 1-1452424-2 BLUE / Blau
0-1670144-3 *	SILVER PLATED	0.5 - 0.75	
0-1534594-3		0.25 - 0.35	
0-1452503-2		1.0 - 1.5	
0-1670144-2 *	GOLD PLATED	0.5 - 0.75	
0-1534594-2		0.25 - 0.35	
0-1452503-1		1.0 - 1.5	
0-1670144-1 *	PRE-TIN	0.5 - 0.75	
0-1534594-1		0.25 - 0.35	

THIS DRAWING IS A CONTROLLED DOCUMENT.		OWN S.DENTER ZOSEP2002	TE Connectivity	
DIMENSIONS: mm		CHK S.DENTER ZOSEP2002		
TOLERANCES UNLESS OTHERWISE SPECIFIED:		APVD E. MUMPER ZOSEP2002	NAME 96POS. RECEPTACLE HOUSING ASSEMBLY	
MATERIAL		APPLICATION SPEC	SIZE CAGE CODE DRAWING NO RESTRICTED TO	
FINISH		WEIGHT	A1 00779 C=1452423	
		CUSTOMER DRAWING	SCALE 2:1 SHEET 1 OF 2 REV L3	

Main table with columns for part numbers (e.g., 099, 088, 087, 086, 085, 084, 082, 072, 071, 070, 069, 065, 064, 063, 055, 053, 051, 043, 042, 035, 034, 033, 032, 031, 029, 028, 027, 026, 025, 024, 023, 022, 021, 019, 018, 017, 016, 015, 014, 013, 012, 011, 009, 008, 007, 006, 005, 004, 003, 002, 001) and rows for positions 1-96. Includes callouts L3 and L2.

NOTES: MARKING FOR PICKOUT-CONFIGURATION. TE-PN TE-Nr. REV. 1 2 3 4 5 6 7 8 9 10 11 12 13 14 15 16 17 18 19 20 21 22 23 24 25 26 27 28 29 30 31 32 33 34 35 36 37 38 39 40 41 42 43 44 45 46 47 48 49 50 51 52 53 54 55 56 57 58 59 60 61 62 63 64 65 66 67 68 69 70 71 72 73 74 75 76 77 78 79 80 81 82 83 84 85 86 87 88 89 90 91 92 93 94 95 96. BLANKED CAVITIES INDICATE CLOSED LOCATIONS. NUMBERED CAVITIES INDICATE OPEN LOCATIONS FOR TERMINALS WITH WIRE SIZE > 0.75mm². WITH 'X' MARKED CAVITIES INDICATE OPEN LOCATIONS FOR TERMINALS WITH WIRE SIZE 0.5 - 0.75mm².

Technical drawing footer containing dimensions, tolerances, material, and customer information. Includes a cross-section diagram and the STC logo with 'TE Connectivity' text.

X-ON Electronics

Largest Supplier of Electrical and Electronic Components

Click to view similar products for [Automotive Connectors](#) category:

Click to view products by [TE Connectivity](#) manufacturer:

Other Similar products are found below :

[003-018-000](#) [60403001](#) [60993906-B](#) [M902-2131](#) [M902-2161](#) [72.330.1035.1](#) [73.353.4028.0](#) [F119300-B](#) [F166900](#) [F258300-B](#) [F358300-B](#)
[F407400](#) [F444110](#) [F487000](#) [F509500B-B](#) [827153-1](#) [8N1515-32-24P](#) [9-1326729-8](#) [925474-1](#) [928905-1](#) [964562-4](#) [968782-1](#) [GT17SA-8DS-](#)
[HU](#) [98891-1012](#) [98947-1016](#) [12004147](#) [12004475-L](#) [12010290](#) [12010309-B](#) [12015454](#) [12020219-B](#) [12020308](#) [12041318-B](#) [12052225-L](#)
[12052466](#) [12059125](#) [12064869](#) [12004327-B](#) [12010503-B](#) [12015308](#) [12015384](#) [12015909](#) [1-21030-1](#) [12041254](#) [12041318](#) [12047946-B](#)
[12047957](#) [12047957-L](#) [12059473](#) [12066261](#)