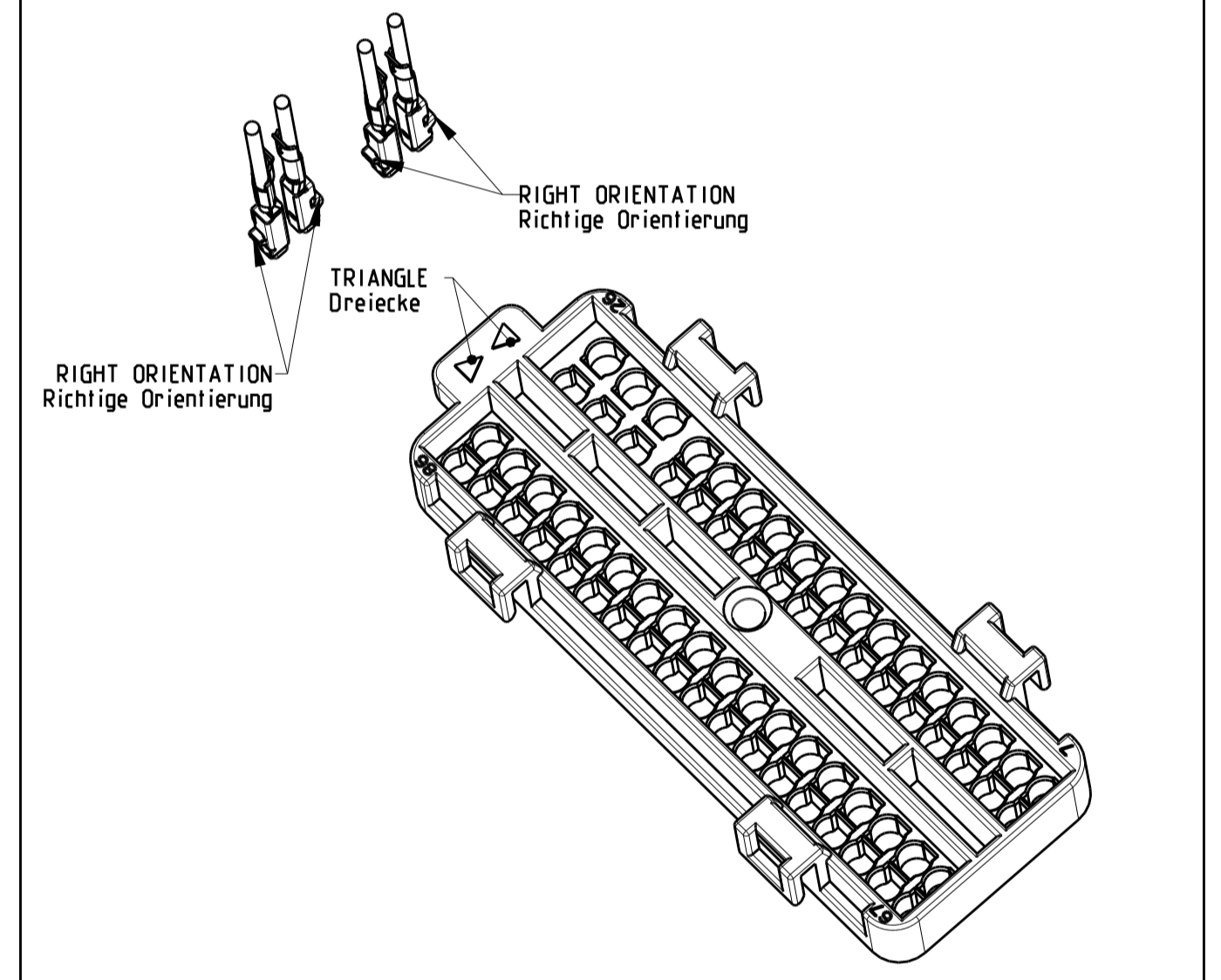


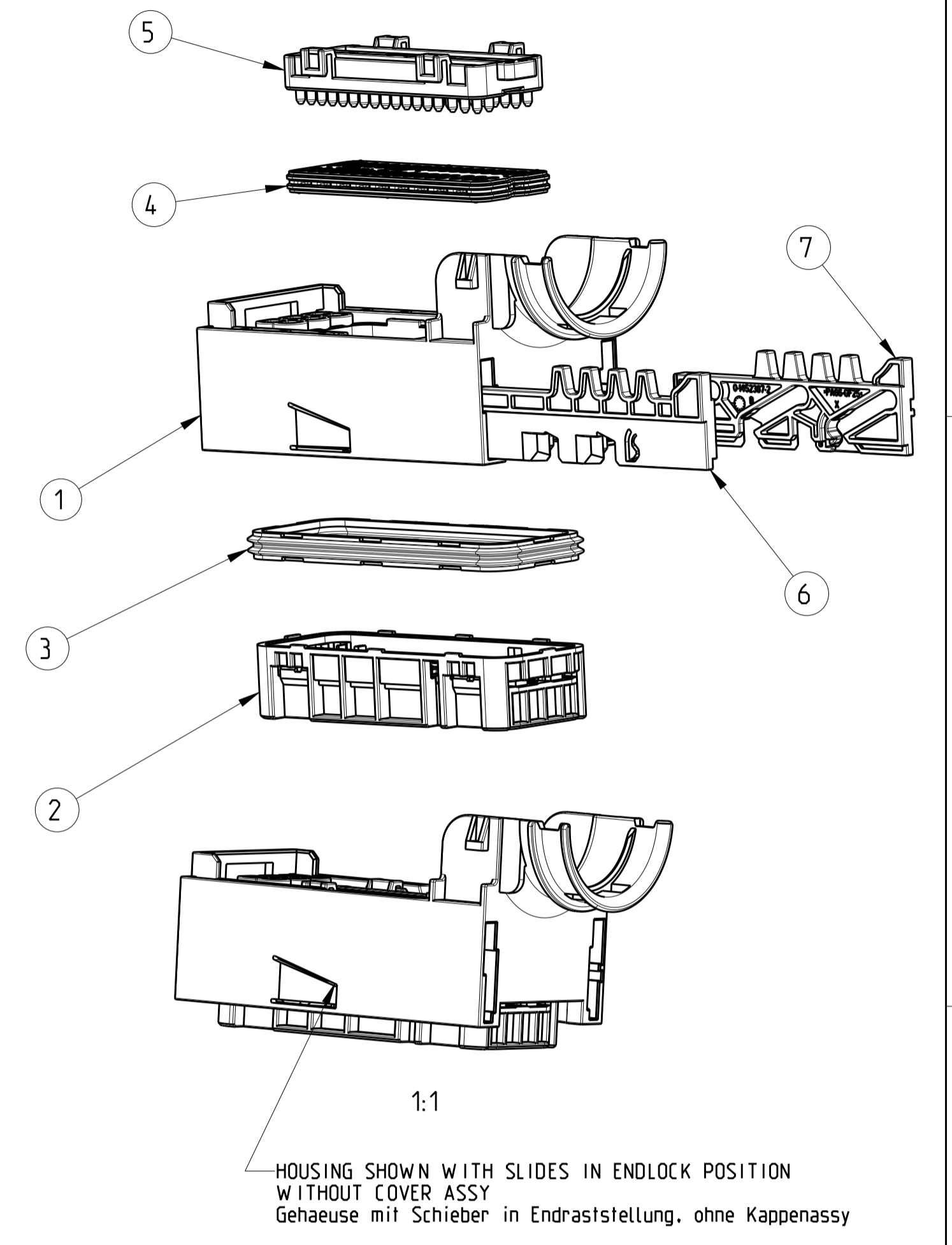
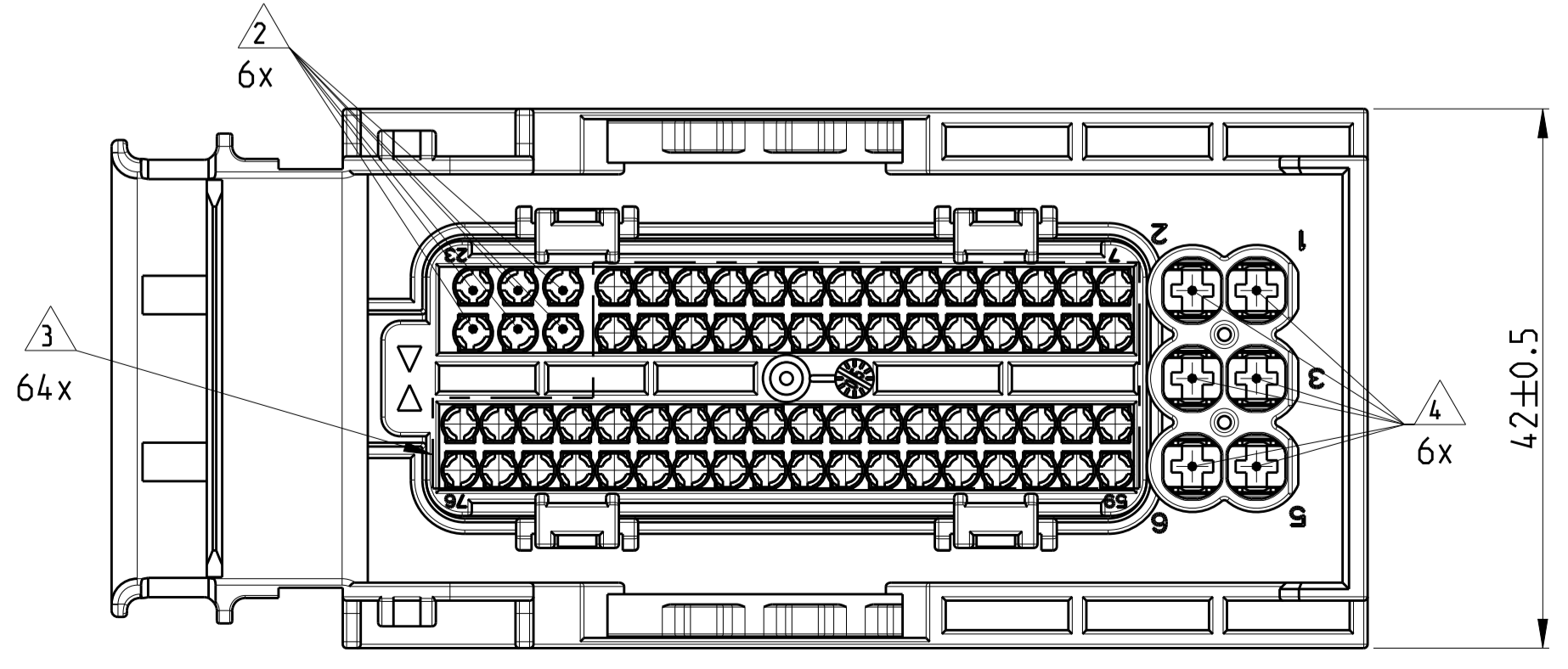
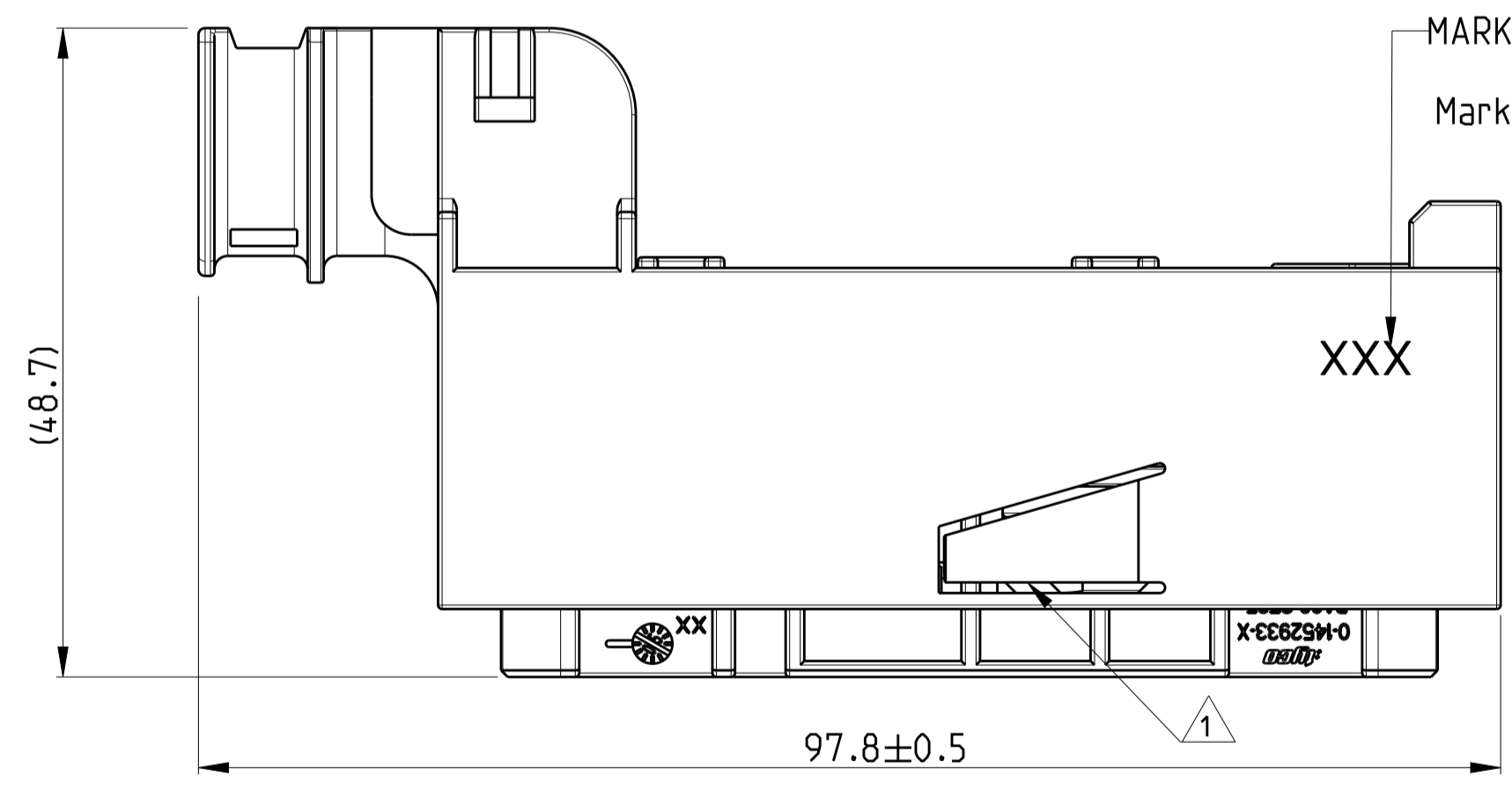
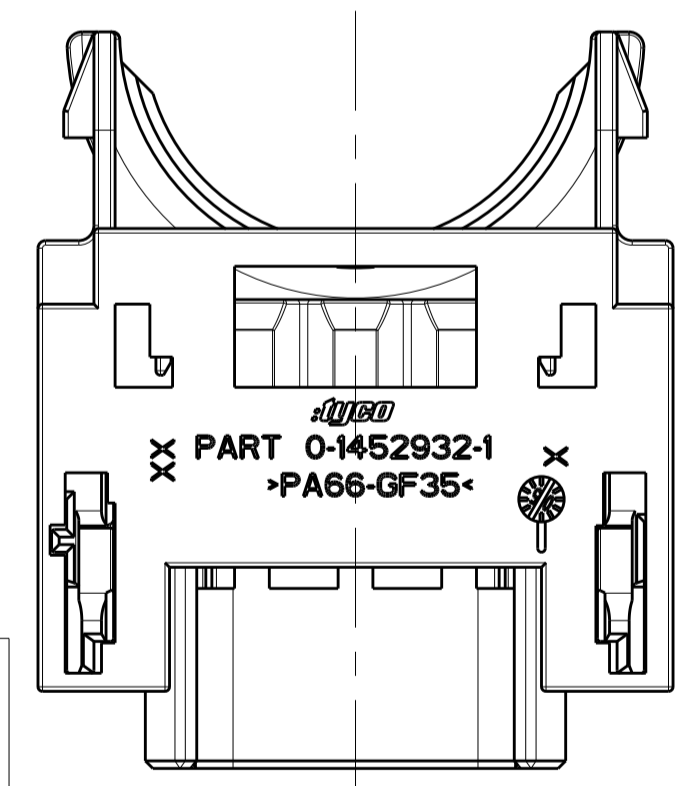
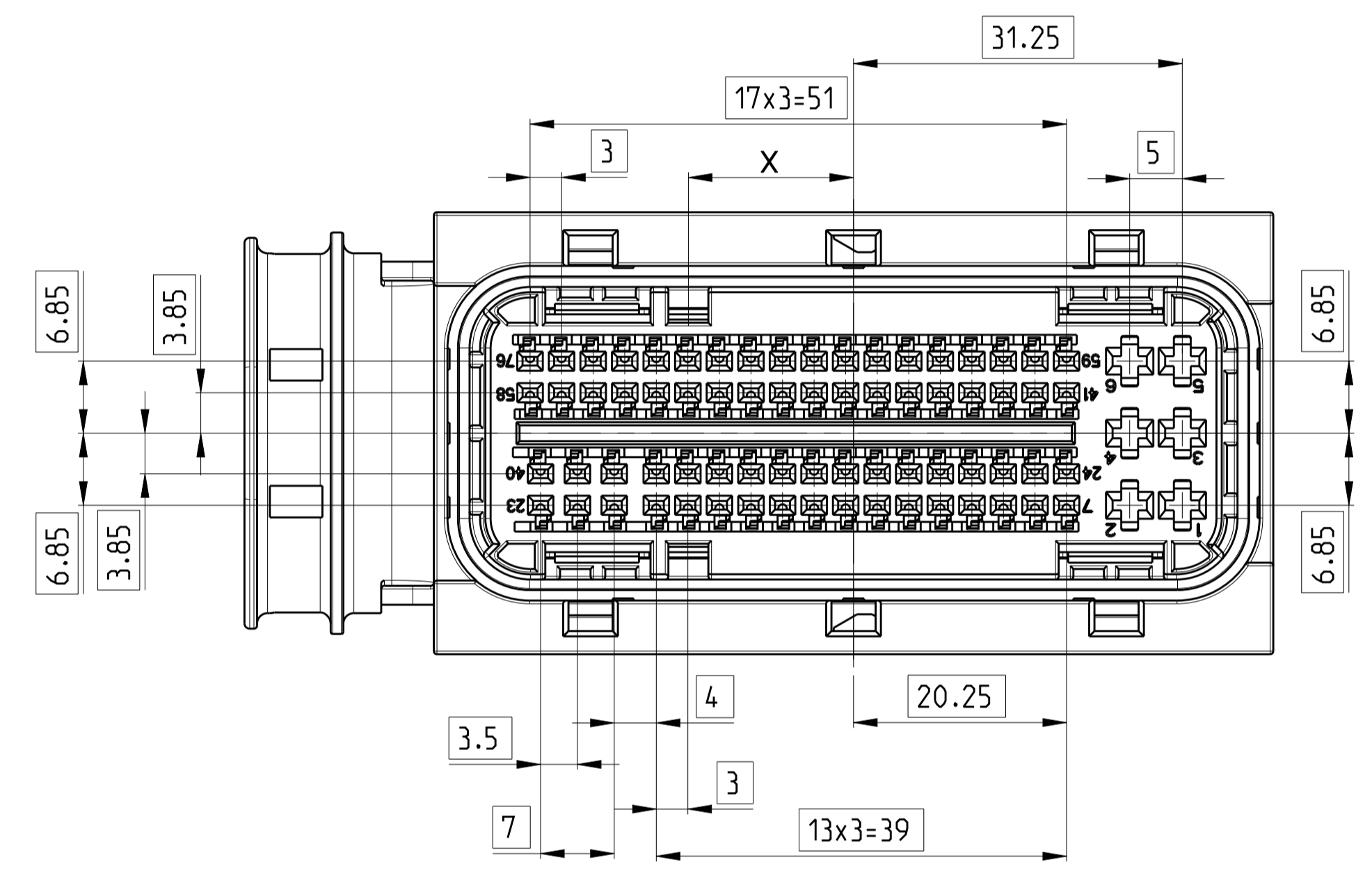
LOC	DIST	REVISIONS					
		P	LTR	DESCRIPTION	DATE	DWN	APVD
G3		ECR-10-020549			06DEC2010	GS	KR
H		ECR-11-006042			23MAR2011	PT	GM
H1		ECR-12-019433			08NOV2012	SH	GM
H2		PCN E-18-000339			12JAN2018	PP	CE

PN	CONTACT HOUSING COLOUR	APPLICATION	FITS TO PRE-SERIES HEADER	FITS TO SERIAL PRODUCTION HEADER	CODING	X
1452995	LIGHTGREY	CHASSIS	0-1719321-2	0-1719938-1	A	15.70
1452931	BLACK	ENGINE	0-1719321-4	0-1719938-2	B	13.10
PN						

FOR WIRE WITH OUTER DIAMETER 1.9-2.4MM THE INSULATION CRIMP DIMENSIONS ARE BIGGER AS THE DIMENSIONS OF THE TERMINAL BOX. DUE TO THIS THERE IS NO POLARISATION DURING INSERTION OF THE TERMINAL IN THE FAMILY SEAL COVER.
 Fuer Kabel mit Aussendurchmesser 1.9-2.4mm sind die Isolationscrimpabmessungen groesser als die Abmessungen des Buchsenkastens. Daher gibt es waehrend der Kontaktbestueckung in dem Cover for family seal keine Polarisation.



THE TRIANGLES ON THE FAMILY SEAL COVER SHOW THE RIGHT ORIENTATION OF THE TERMINALS DURING INSERTION IN THE CONNECTOR HOUSING.
 Die Dreiecke auf dem Cover for family seal zeigen die richtige Orientierung der Kontakte beim Bestuecken



- NOTES:
 Bemerkungen:
- 1 ASSY DELIVERED WITH SLIDES IN ENDOCK POSITION Anlieferungszustand: Schieber in Endraststellung
 - 2 6 CAVITIES FOR WIRES WITH ODØ 1.90mm TO 2.40mm 6 Kammern fuer Drahtdurchmesser Ø 1.90mm bis 2.40mm
 - 3 64 CAVITIES FOR WIRES WITH ODØ 1.90mm TO 2.25mm 64 Kammern fuer Drahtdurchmesser Ø 1.90mm bis 2.25mm
 - 4 6 CAVITIES FOR WIRES WITH SINGLE WIRE SEAL UP TO ODØ 3.0mm (SEE TABLE) 6 Kammern fuer Drahtdurchmesser mit EDS bis Ø 3.0mm (siehe Tabelle)
 - 5 CONVERSION KIT NECESSARY: WIRES ODØ 1.40mm TO 1.90mm Umbausatz notwendig: Drahtdurchmesser Ø 1.40mm bis 1.90mm
 - 6 COUNTERPART INTERFACE SEE TE-SPECIFICATION 114-18764 Passende Stiftwanne siehe TE-Spezifikation 114-18764

0-1452503-3	0-1394897-3	SILVER PLATED	0.5 - 0.75	OPTIONAL SEE NOTE Optional siehe Bemerkung 5		
0-1452503-2	0-1394897-2	GOLD PLATED	0.5 - 0.75	OPTIONAL SEE NOTE Optional siehe Bemerkung 5		
0-1452503-1	0-1394897-1	PRE-TIN	0.5 - 0.75	OPTIONAL SEE NOTE Optional siehe Bemerkung 5		
1-968857-1			>1.0 - 2.5	4	0-828905-1 (FOR ISOØ 2.2-3.0)	BLINDPLUG Blindstopfen PN 828922
1-968855-1			0.5 - 1.0	4	0-828904-1 (FOR ISOØ 1.2-2.1)	
1-968882-1		PRE-TIN	0.35	4	0-828904-1 (FOR ISOØ 1.2-2.1)	
1-968857-3			>1.0 - 2.5	4	0-828905-1 (FOR ISOØ 2.2-3.0)	BLINDPLUG Blindstopfen PN 828922
1-968855-3			0.5 - 1.0	4	0-828904-1 (FOR ISOØ 1.2-2.1)	
1-968882-3		SILVER PLATED	0.35	4	0-828904-1 (FOR ISOØ 1.2-2.1)	
TERMINALS TE PN TE Kontakte PN	FINISH Oberflaeche	WIRE SIZE (mm ²) Drahtquerschnitt (mm ²)			SINGLE WIRE SEAL Einzeltleiterdichtung	NOTES Bemerkungen

MATED WITH verwendet mit	0-1452990-1	0-1452990-1	PA66-GF25	96 POS. SLIDE RIGHT	BLACK	7
	0-1452997-1	0-1452997-1	PA66-GF25	96 POS. SLIDE LEFT	BLACK	6
	0-1452408-1	0-1452408-1	PBT-GF20	76 POS. COVER FOR FAMILY SEAL	BLACK	5
	0-1719000-1	0-1719000-1	Elastosil	76 POS. FAMILY SEAL	WHITE	4
			Elastosil	96 POS. PERIPHERAL SEAL	WHITE	3
			PA66-GF35	76 POS. CONTACT HOUSING CODING A	LIGHTGREY	2
			PA66-GF35	76 POS. CONTACT HOUSING CODING B	BLACK	2
			PA66-GF35	76 POS. FEMALE HOUSING	BLACK	1
1452995 CODING A	1452931 CODING B	MATERIAL	DESCRIPTION	CLOUR	ITEM NO.	
73.65	73.65	WEIGHT OF EACH ASSY NO [g]				
QTY REQD PER ASSY	QTY REQD PER ASSY	PARTS LIST				

THIS DRAWING IS A CONTROLLED DOCUMENT. DIMENSIONS: mm. TOLERANCES UNLESS OTHERWISE SPECIFIED: 0 PLC, 1 PLC, 2 PLC, 3 PLC, 4 PLC, ANGLES FINISH.

DMN: G.PUCKEL 16DEC2004
 CHK: K.ROTH 16DEC2004
 APVD: G.HUMPER 16DEC2004

NAME: 76POS. CONNECTOR ASSEMBLY 70 x MCON1.2 AND 6 x MCP 2.8mm

SIZE: 108-94072 APPLICATION SPEC
 114-18822 WEIGHT

SCALE: 2:1 SHEET 1 OF 2 REV: H2

CUSTOMER DRAWING

X-ON Electronics

Largest Supplier of Electrical and Electronic Components

Click to view similar products for [Automotive Connectors](#) category:

Click to view products by [TE Connectivity](#) manufacturer:

Other Similar products are found below :

[003-018-000](#) [60403001](#) [60993906-B](#) [M902-2131](#) [M902-2161](#) [M902-2344](#) [72.330.1035.1](#) [73.353.4028.0](#) [F119300-B](#) [F166900](#) [F258300-B](#)
[F358300-B](#) [F407400](#) [F444110](#) [F487000](#) [F509500B-B](#) [827153-1](#) [8N1515-32-24P](#) [9-1326729-8](#) [925474-1](#) [928905-1](#) [964562-4](#) [968782-1](#)
[GT17SA-8DS-HU](#) [98891-1012](#) [98947-1016](#) [12004147](#) [12004475-L](#) [12010290](#) [12010309-B](#) [12015454](#) [12020219-B](#) [12041318-B](#) [12052225-](#)
[L](#) [12052466](#) [12064869](#) [12004327-B](#) [12015308](#) [12015384](#) [12015909](#) [1-21030-1](#) [12041254](#) [12041318](#) [12047946-B](#) [12047957](#) [12047957-L](#)
[12059473](#) [12066261](#) [12110546](#) [12110546-B](#)