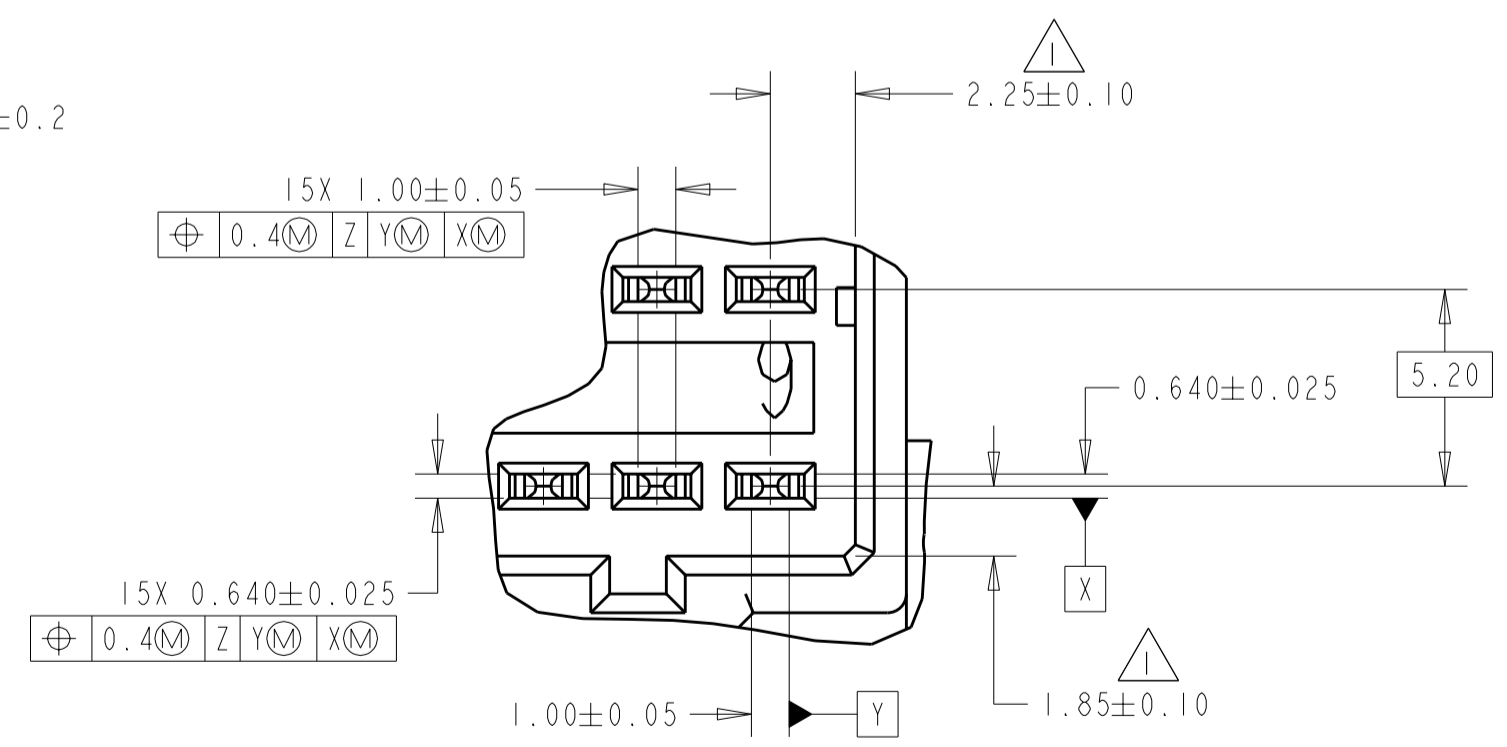
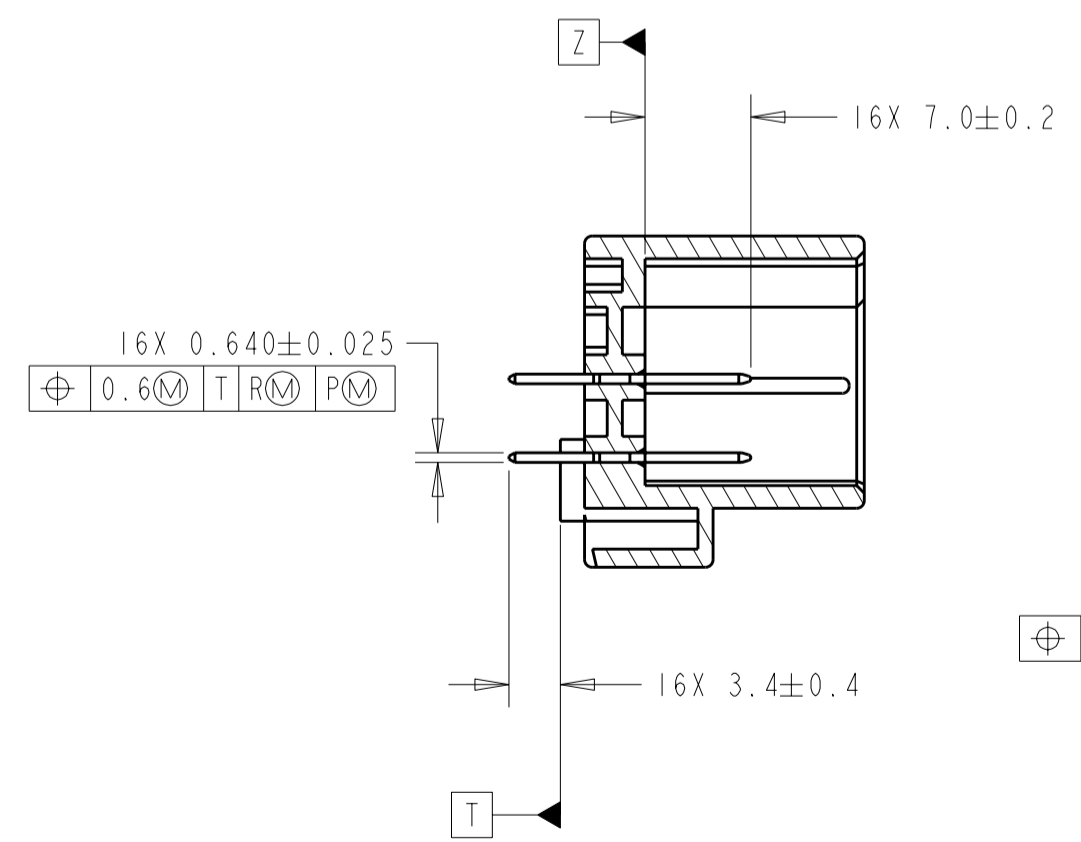
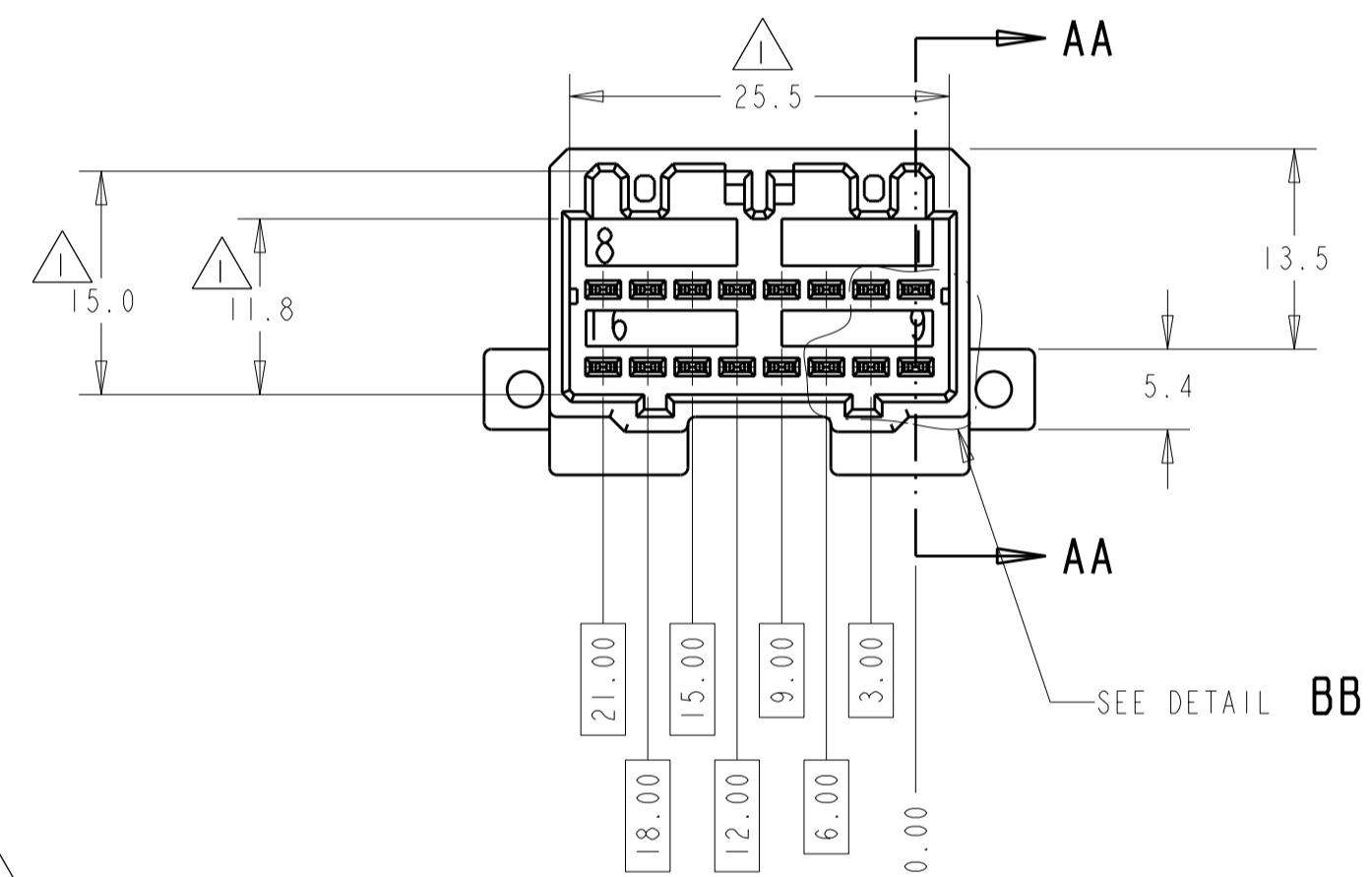
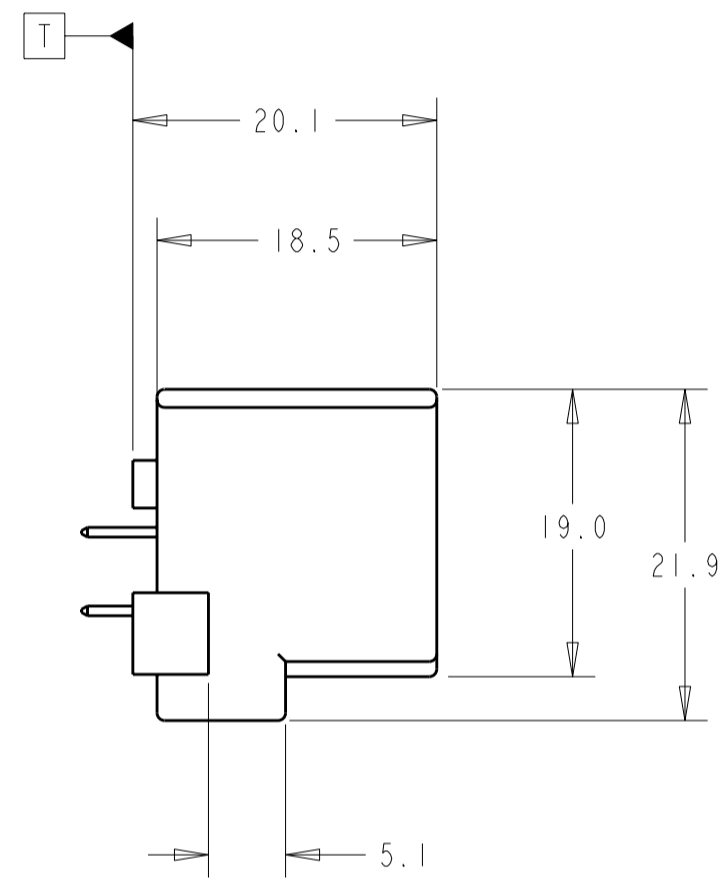
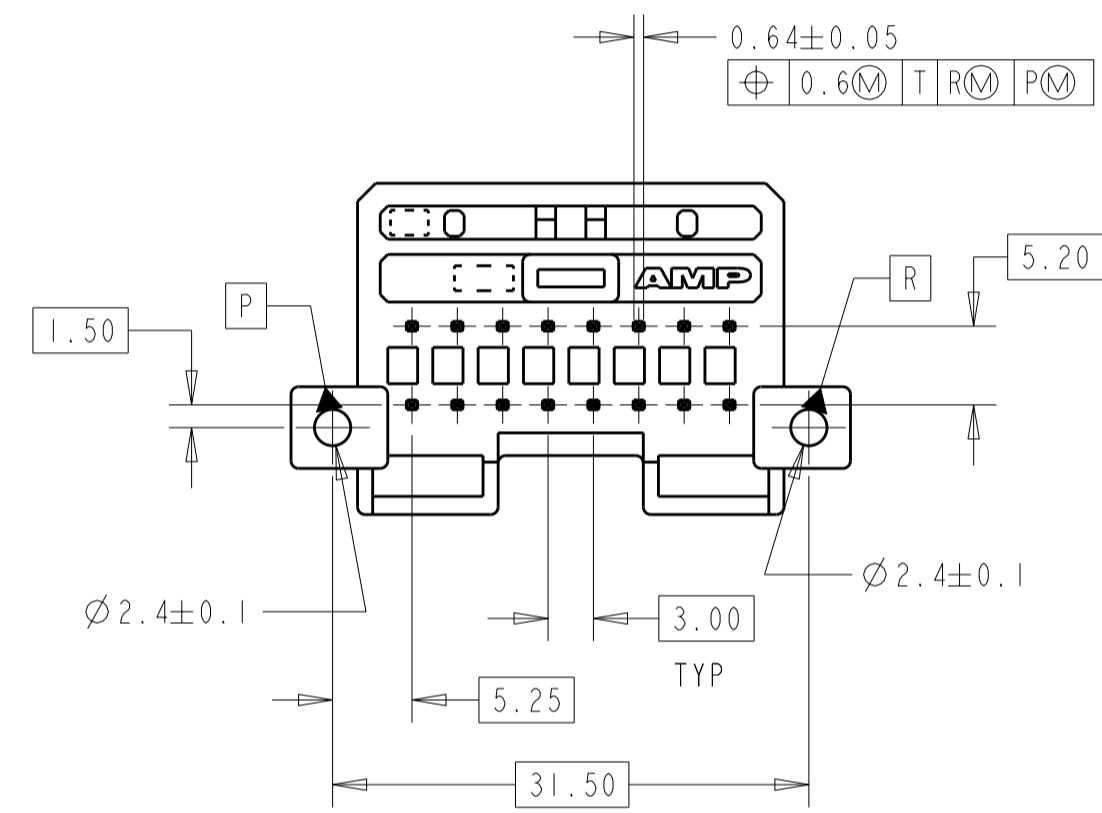
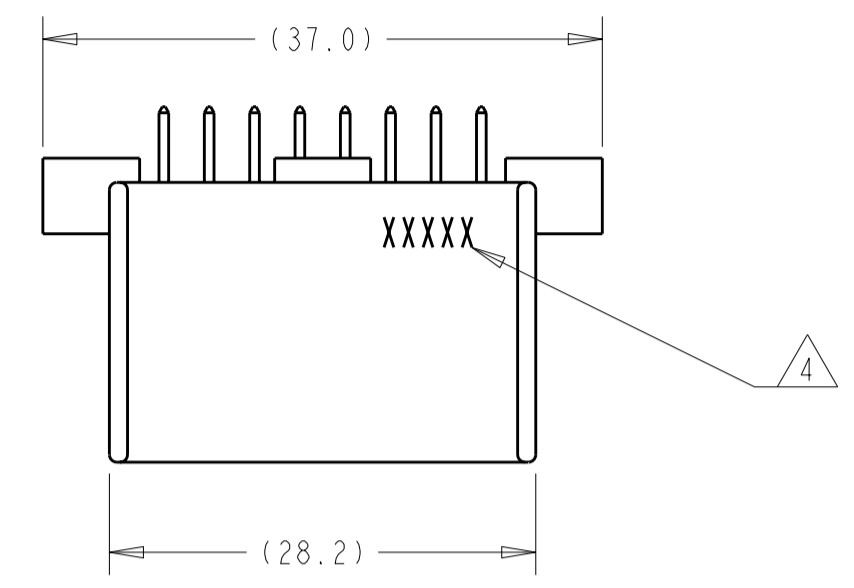
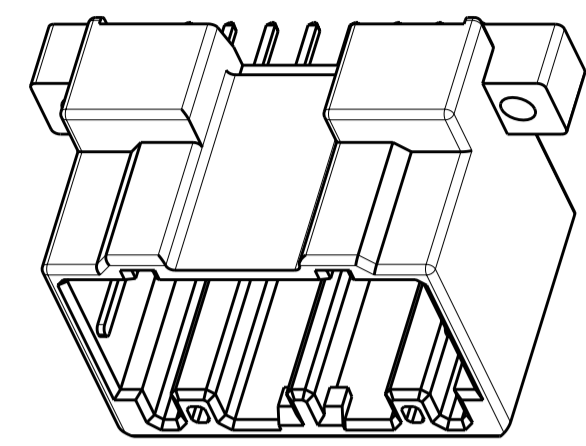


THIS DRAWING IS UNPUBLISHED. RELEASED FOR PUBLICATION 20
 © COPYRIGHT 20 BY TYCO ELECTRONICS CORPORATION. ALL RIGHTS RESERVED.

LOC	DIST	REVISIONS			
P	LTR	DESCRIPTION	DATE	DWN	APVD
FX	00	A	RELEASED PER ECO-08-005268	04MAR2008	AH MS

- 1 DIMENSION MUST BE HELD BETWEEN Z AND 2mm FROM Z
- 2 DATUMS AND BASIC DIMENSIONS ESTABLISHED BY CUSTOMER
- 3. THE MATING PLUG PART NUMBER IS 917981
- 4 DATE CODE
- 5. RECOMMENDED MOUNTING SCREW, 3mm DIA X 6mm LG, PAN HEAD, CLASS 2 TAPPING SCREW AS SPECIFIED IN JIS B1115 AND B1112. TIGHTENING TORQUE 4kg-cm MAX.

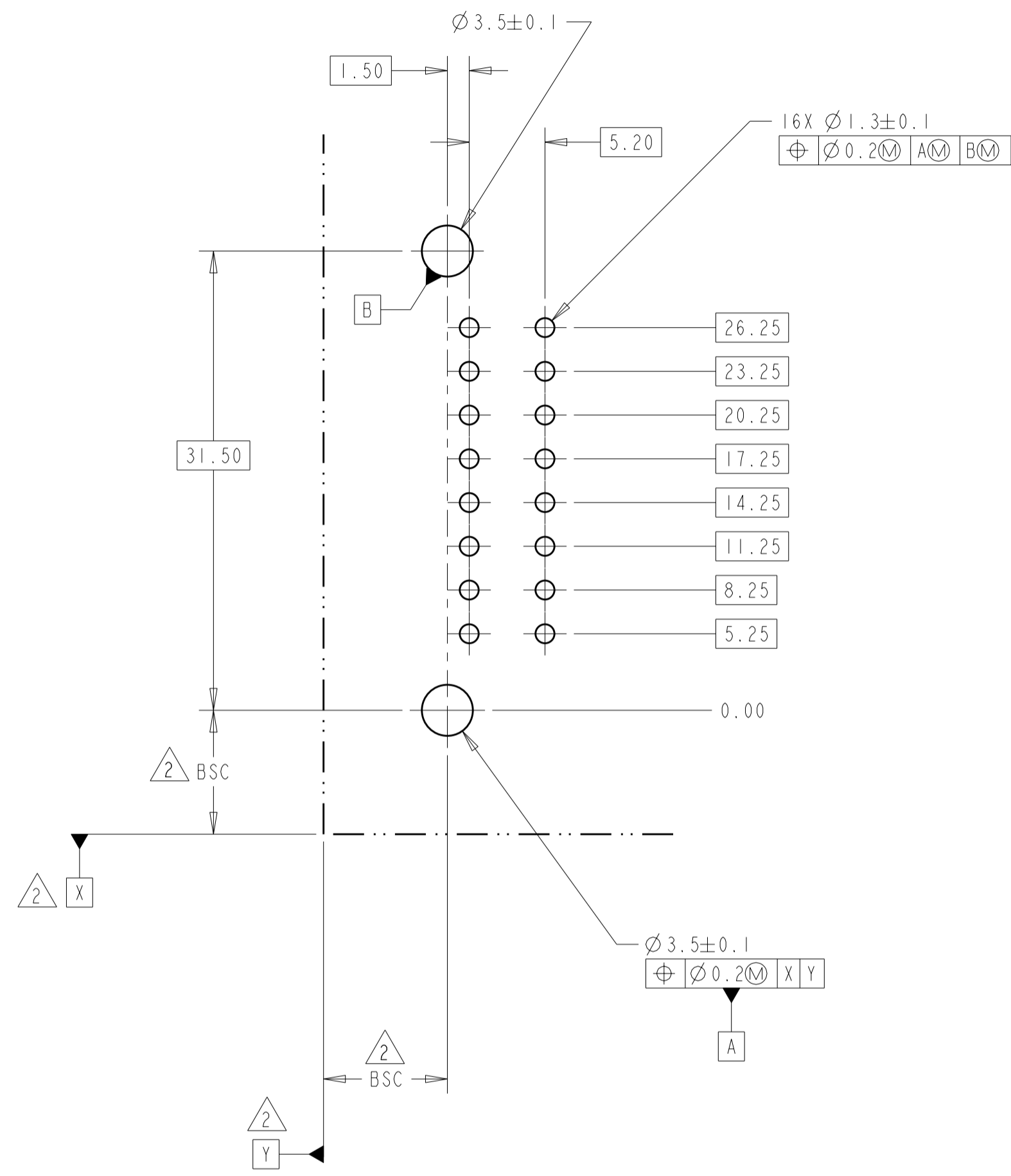


BRASS	TIN	PBT	BLACK	9-1456610-2
MATERIAL	FINISH	MATERIAL	COLOR	PART NO
CONTACT			HOUSING	

THIS DRAWING IS A CONTROLLED DOCUMENT FOR TYCO ELECTRONICS CORPORATION. IT IS SUBJECT TO CHANGE AND THE CONTROLLING ENGINEERING ORGANIZATION SHOULD BE CONTACTED FOR THE LATEST REVISION.		DWN	R. VESTAL	08FEB2008	Tyco Electronics Harrisburg, PA 17105-3608
DIMENSIONS: mm		CHK	M. SCHANEWOLF	08FEB2008	
TOLERANCES UNLESS OTHERWISE SPECIFIED:		APVD	M. SCHANEWOLF	08FEB2008	
0 PLC ± 1 PLC ±0.3 2 PLC ±0.15 3 PLC ± 4 PLC ± ANGLES ±° FINISH		PRODUCT SPEC	108-5342		
MATERIAL SEE TABLE		APPLICATION SPEC		NAME 16 POSITION, 040, VERTICAL, HYBRID, CAP ASSEMBLY, W/SCREW HOLES	
SEE TABLE		WEIGHT 7.0g		SIZE A2	CAGE CODE 00779
SEE TABLE		CUSTOMER DRAWING		DRAWING NO 1456610	RESTRICTED TO -
		SCALE 2:1		SHEET 1 OF 2	REV A

THIS DRAWING IS UNPUBLISHED. RELEASED FOR PUBLICATION 20
 © COPYRIGHT 20 BY TYCO ELECTRONICS CORPORATION. ALL RIGHTS RESERVED.

LOC	DIST	REVISIONS			
P	LTR	DESCRIPTION	DATE	DWN	APVD
		SEE SHEET 1			



P.C. BOARD LAYOUT

<small>THIS DRAWING IS A CONTROLLED DOCUMENT FOR TYCO ELECTRONICS CORPORATION. IT IS SUBJECT TO CHANGE AND THE CONTROLLING ENGINEERING ORGANIZATION SHOULD BE CONTACTED FOR THE LATEST REVISION.</small>		DWN R. VESTAL 08FEB2008 CHK M. SCHANEWOLF 08FEB2008 APVD M. SCHANEWOLF 08FEB2008	Tyco Electronics Harrisburg, PA 17105-3608
DIMENSIONS: mm 	TOLERANCES UNLESS OTHERWISE SPECIFIED: 0 PLC ± 1 PLC ±0.3 2 PLC ±0.15 3 PLC ± 4 PLC ± ANGLES ±° FINISH	PRODUCT SPEC 108-5342 APPLICATION SPEC - WEIGHT 7.0g	NAME 16 POSITION, 040, VERTICAL, HYBRID, CAP ASSEMBLY, W/SCREW HOLES SIZE A2 CAGE CODE 00779 DRAWING NO. C-1456610 RESTRICTED TO -
MATERIAL SEE TABLE	SEE TABLE	CUSTOMER DRAWING	SCALE 2:1 SHEET 2 OF 2 REV A

X-ON Electronics

Largest Supplier of Electrical and Electronic Components

Click to view similar products for [Automotive Connectors](#) category:

Click to view products by [TE Connectivity](#) manufacturer:

Other Similar products are found below :

[003-018-000](#) [60403001](#) [60993906-B](#) [M902-2131](#) [M902-2161](#) [M902-2344](#) [72.330.1035.1](#) [73.353.4028.0](#) [F119300-B](#) [F166900](#) [F258300-B](#)
[F358300-B](#) [F407400](#) [F444110](#) [F487000](#) [F509500B-B](#) [827153-1](#) [8N1515-32-24P](#) [9-1326729-8](#) [925474-1](#) [928905-1](#) [964562-4](#) [968782-1](#)
[GT17SA-8DS-HU](#) [98891-1012](#) [98947-1016](#) [12004147](#) [12004475-L](#) [12010290](#) [12010309-B](#) [12015454](#) [12020219-B](#) [12041318-B](#) [12052225-](#)
[L](#) [12052466](#) [12064869](#) [12004327-B](#) [12015308](#) [12015384](#) [12015909](#) [1-21030-1](#) [12041254](#) [12041318](#) [12047946-B](#) [12047957](#) [12047957-L](#)
[12059473](#) [12066261](#) [12110546](#) [12110546-B](#)