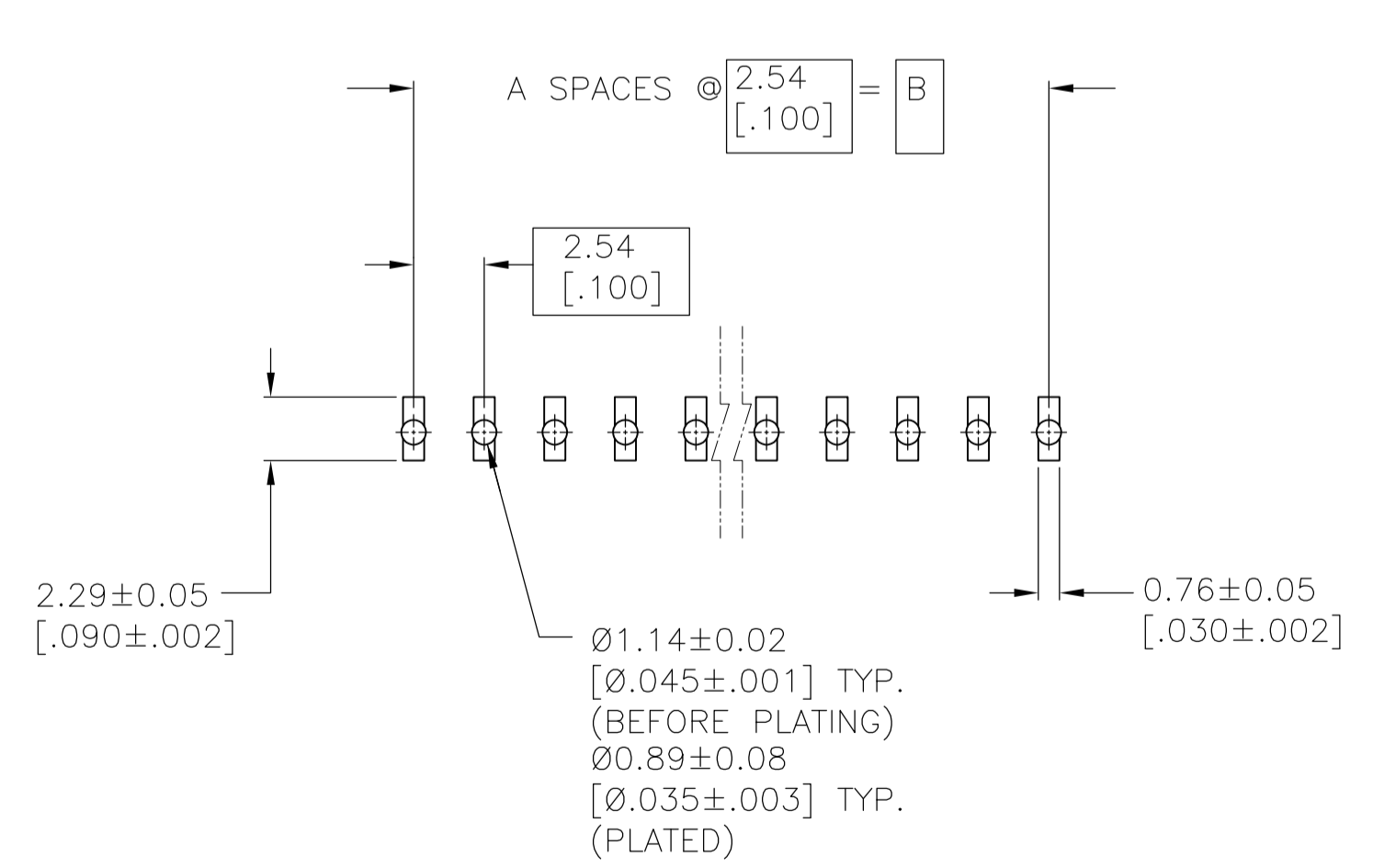
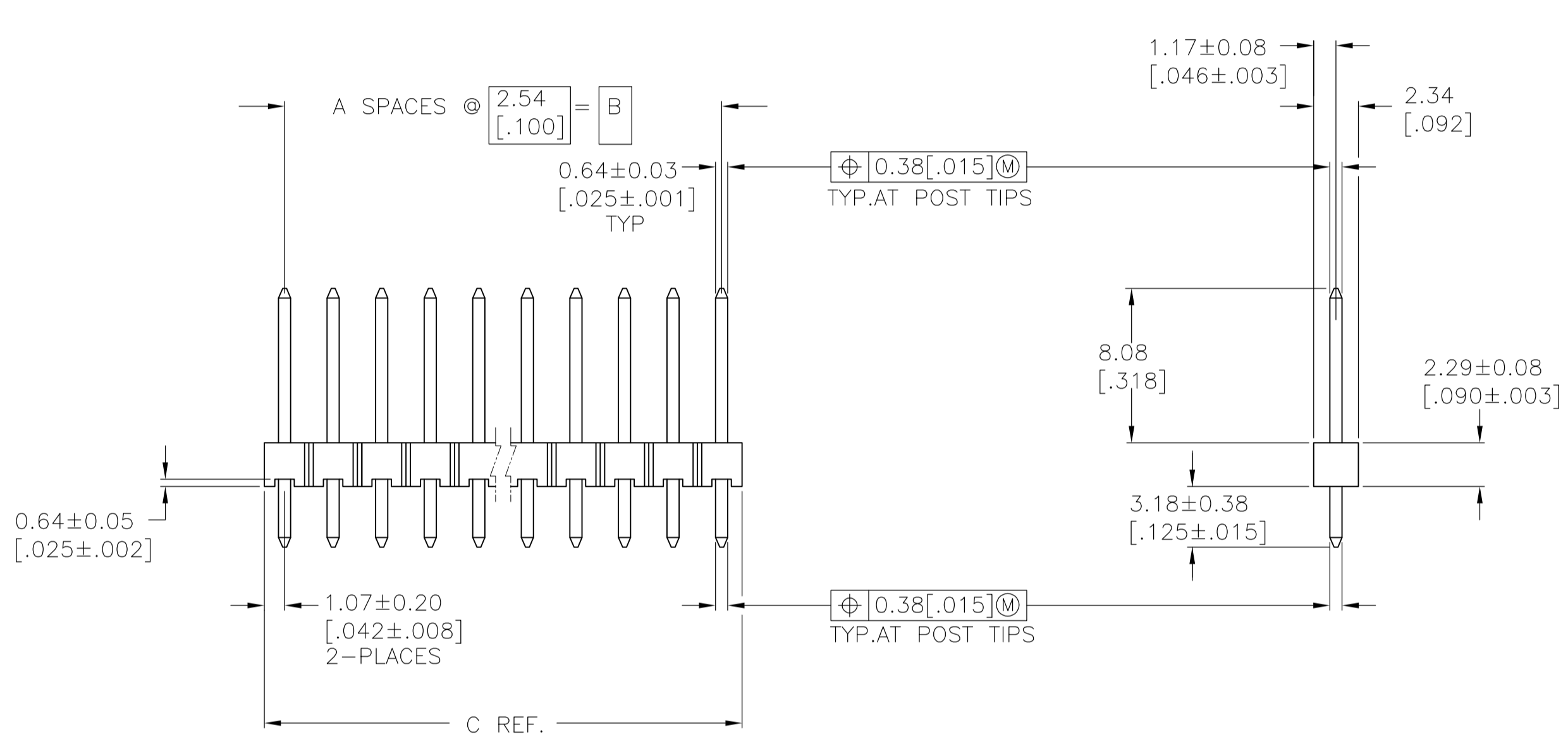


| REVISIONS |           |    |      |               |
|-----------|-----------|----|------|---------------|
| REV       | DATE      | BY | APPV | DESCRIPTION   |
| H1        | 01SEP2016 | NK | MM   | ECO-16-012733 |

- 1 ASSEMBLY MAY BE BROKEN TO THE DESIRED NUMBER OF POSITIONS.
- 2 TRUE POSITION TOLERANCE OF THE POST TIPS APPLIES WHEN, THE HEADERS ARE HELD FLAT AGAINST THE PRINTED CIRCUIT BOARD.
- 3 0.00254-0.00504 [.000100-.000200] MATTE TIN-LEAD ON SOLDER TAIL, ALL OVER 0.00127 [.000050] NICKEL.
- 4 HOUSING: LCP, COLOR-BLACK. POSTS: COPPER ALLOY.
- 5 0.00254-0.00504 [.000100-.000200] MATTE TIN ON SOLDER TAIL, ALL OVER 0.00127 [.000050] NICKEL.
- 6 OBSOLETE PARTS: OBSOLETE CIS STREAMLINING PER D.RENAUD/D.SINISI.



RECOMMENDED PC BOARD MOUNTING DIMENSIONS FOR .063 [.160] THICK PC BOARD AND .012 [.305] STENCIL THICK.

| PLATING  | C              | B             | A  | NO. OF POSITIONS | PART NUMBER |
|----------|----------------|---------------|----|------------------|-------------|
|          | 101.19 [3.984] | 99.06 [3.900] | 39 | 40               | 9-146274-0  |
| OBSOLETE | 98.65 [3.884]  | 96.52 [3.800] | 38 | 39               | 8-146274-9  |
|          | 96.11 [3.784]  | 93.98 [3.700] | 37 | 38               | 8-146274-8  |
|          | 93.57 [3.684]  | 91.44 [3.600] | 36 | 37               | 8-146274-7  |
|          | 91.03 [3.584]  | 88.90 [3.500] | 35 | 36               | 8-146274-6  |
| OBSOLETE | 88.49 [3.484]  | 86.36 [3.400] | 34 | 35               | 8-146274-5  |
|          | 85.95 [3.384]  | 83.82 [3.300] | 33 | 34               | 8-146274-4  |
|          | 83.41 [3.284]  | 81.28 [3.200] | 32 | 33               | 8-146274-3  |
|          | 80.87 [3.184]  | 78.74 [3.100] | 31 | 32               | 8-146274-2  |
|          | 78.33 [3.084]  | 76.20 [3.000] | 30 | 31               | 8-146274-1  |
|          | 75.79 [2.984]  | 73.66 [2.900] | 29 | 30               | 8-146274-0  |
|          | 73.25 [2.884]  | 71.12 [2.800] | 28 | 29               | 7-146274-9  |
|          | 70.71 [2.784]  | 68.58 [2.700] | 27 | 28               | 7-146274-8  |
| OBSOLETE | 68.17 [2.684]  | 66.04 [2.600] | 26 | 27               | 7-146274-7  |
|          | 65.63 [2.584]  | 63.5 [2.500]  | 25 | 26               | 7-146274-6  |
|          | 63.09 [2.484]  | 60.96 [2.400] | 24 | 25               | 7-146274-5  |
|          | 60.55 [2.384]  | 58.42 [2.300] | 23 | 24               | 7-146274-4  |
|          | 58.01 [2.284]  | 55.88 [2.200] | 22 | 23               | 7-146274-3  |
|          | 55.47 [2.184]  | 53.34 [2.100] | 21 | 22               | 7-146274-2  |
|          | 52.93 [2.084]  | 50.80 [2.000] | 20 | 21               | 7-146274-1  |
|          | 50.39 [1.984]  | 48.26 [1.900] | 19 | 20               | 7-146274-0  |
| 5        | 47.85 [1.884]  | 45.72 [1.800] | 18 | 19               | 6-146274-9  |
|          | 45.31 [1.784]  | 43.18 [1.700] | 17 | 18               | 6-146274-8  |
|          | 42.77 [1.684]  | 40.64 [1.600] | 16 | 17               | 6-146274-7  |
| OBSOLETE | 40.23 [1.584]  | 38.10 [1.500] | 15 | 16               | 6-146274-6  |
|          | 37.69 [1.484]  | 35.56 [1.400] | 14 | 15               | 6-146274-5  |
|          | 35.15 [1.384]  | 33.02 [1.300] | 13 | 14               | 6-146274-4  |
|          | 32.61 [1.284]  | 30.48 [1.200] | 12 | 13               | 6-146274-3  |
|          | 30.07 [1.184]  | 27.94 [1.100] | 11 | 12               | 6-146274-2  |
|          | 27.53 [1.084]  | 25.40 [1.000] | 10 | 11               | 6-146274-1  |
|          | 24.99 [.984]   | 22.86 [.900]  | 9  | 10               | 6-146274-0  |
|          | 22.45 [.884]   | 20.32 [.800]  | 8  | 9                | 5-146274-9  |
|          | 19.91 [.784]   | 17.78 [.700]  | 7  | 8                | 5-146274-8  |
|          | 17.37 [.684]   | 15.24 [.600]  | 6  | 7                | 5-146274-7  |
|          | 14.83 [.584]   | 12.70 [.500]  | 5  | 6                | 5-146274-6  |
|          | 12.29 [.484]   | 10.16 [.400]  | 4  | 5                | 5-146274-5  |
|          | 9.75 [.384]    | 7.62 [.300]   | 3  | 4                | 5-146274-4  |
|          | 7.21 [.284]    | 5.08 [.200]   | 2  | 3                | 5-146274-3  |
|          | 4.67 [.184]    | 2.54 [.100]   | 1  | 2                | 5-146274-2  |
|          | 2.13 [.084]    | -             | 0  | 1                | 5-146274-1  |

| PLATING  | C              | B             | A  | NO. OF POSITIONS | PART NUMBER |
|----------|----------------|---------------|----|------------------|-------------|
|          | 101.19 [3.984] | 99.06 [3.900] | 39 | 40               | 4-146274-0  |
| OBSOLETE | 98.65 [3.884]  | 96.52 [3.800] | 38 | 39               | 3-146274-9  |
|          | 96.11 [3.784]  | 93.98 [3.700] | 37 | 38               | 3-146274-8  |
|          | 93.57 [3.684]  | 91.44 [3.600] | 36 | 37               | 3-146274-7  |
|          | 91.03 [3.584]  | 88.90 [3.500] | 35 | 36               | 3-146274-6  |
| 6        | 88.49 [3.484]  | 86.36 [3.400] | 34 | 35               | 3-146274-5  |
|          | 85.95 [3.384]  | 83.82 [3.300] | 33 | 34               | 3-146274-4  |
|          | 83.41 [3.284]  | 81.28 [3.200] | 32 | 33               | 3-146274-3  |
|          | 80.87 [3.184]  | 78.74 [3.100] | 31 | 32               | 3-146274-2  |
|          | 78.33 [3.084]  | 76.20 [3.000] | 30 | 31               | 3-146274-1  |
|          | 75.79 [2.984]  | 73.66 [2.900] | 29 | 30               | 3-146274-0  |
|          | 73.25 [2.884]  | 71.12 [2.800] | 28 | 29               | 2-146274-9  |
|          | 70.71 [2.784]  | 68.58 [2.700] | 27 | 28               | 2-146274-8  |
| OBSOLETE | 68.17 [2.684]  | 66.04 [2.600] | 26 | 27               | 2-146274-7  |
|          | 65.63 [2.584]  | 63.5 [2.500]  | 25 | 26               | 2-146274-6  |
| 6        | 63.09 [2.484]  | 60.96 [2.400] | 24 | 25               | 2-146274-5  |
|          | 60.55 [2.384]  | 58.42 [2.300] | 23 | 24               | 2-146274-4  |
|          | 58.01 [2.284]  | 55.88 [2.200] | 22 | 23               | 2-146274-3  |
|          | 55.47 [2.184]  | 53.34 [2.100] | 21 | 22               | 2-146274-2  |
|          | 52.93 [2.084]  | 50.80 [2.000] | 20 | 21               | 2-146274-1  |
|          | 50.39 [1.984]  | 48.26 [1.900] | 19 | 20               | 2-146274-0  |
| 6        | 47.85 [1.884]  | 45.72 [1.800] | 18 | 19               | 1-146274-9  |
|          | 45.31 [1.784]  | 43.18 [1.700] | 17 | 18               | 1-146274-8  |
|          | 42.77 [1.684]  | 40.64 [1.600] | 16 | 17               | 1-146274-7  |
| OBSOLETE | 40.23 [1.584]  | 38.10 [1.500] | 15 | 16               | 1-146274-6  |
|          | 37.69 [1.484]  | 35.56 [1.400] | 14 | 15               | 1-146274-5  |
|          | 35.15 [1.384]  | 33.02 [1.300] | 13 | 14               | 1-146274-4  |
|          | 32.61 [1.284]  | 30.48 [1.200] | 12 | 13               | 1-146274-3  |
|          | 30.07 [1.184]  | 27.94 [1.100] | 11 | 12               | 1-146274-2  |
|          | 27.53 [1.084]  | 25.40 [1.000] | 10 | 11               | 1-146274-1  |
|          | 24.99 [.984]   | 22.86 [.900]  | 9  | 10               | 1-146274-0  |
| 6        | 22.45 [.884]   | 20.32 [.800]  | 8  | 9                | 1-146274-9  |
|          | 19.91 [.784]   | 17.78 [.700]  | 7  | 8                | 146274-8    |
|          | 17.37 [.684]   | 15.24 [.600]  | 6  | 7                | 146274-7    |
| 6        | 14.83 [.584]   | 12.70 [.500]  | 5  | 6                | 146274-6    |
| 6        | 12.29 [.484]   | 10.16 [.400]  | 4  | 5                | 146274-5    |
| 6        | 9.75 [.384]    | 7.62 [.300]   | 3  | 4                | 146274-4    |
| 6        | 7.21 [.284]    | 5.08 [.200]   | 2  | 3                | 146274-3    |
| 6        | 4.67 [.184]    | 2.54 [.100]   | 1  | 2                | 146274-2    |
| 6        | 2.13 [.084]    | -             | 0  | 1                | 146274-1    |

THIS DRAWING IS A CONTROLLED DOCUMENT.

|                         |  |                            |                               |
|-------------------------|--|----------------------------|-------------------------------|
| DIMENSIONS: mm [INCHES] | TOLERANCES UNLESS OTHERWISE SPECIFIED: | DIN T. HOFFMAN 6/12/95     | STE TE Connectivity           |
| 0 PLC ± -               | 1 PLC ± -                              | 6/29/95                    | NAME                          |
| 2 PLC ± 0.51[.02]       | 3 PLC ± 0.12[.005]                     | APPRO G. DUBNICZKI 6/29/95 | PRODUCT SPEC                  |
| 4 PLC ± 0.012[.0005]    | ANGLES ± -                             | APPLICATION SPEC           | SIZE CASE CODE DRAWING NO     |
| MATERIAL 4              | FINISH SEE TABLE                       | WEIGHT                     | A1 00779 146274               |
|                         |  | CUSTOMER DRAWING           | SCALE 4:1 SHEET 1 OF 1 REV H1 |

## X-ON Electronics

Largest Supplier of Electrical and Electronic Components

*Click to view similar products for [Headers & Wire Housings](#) category:*

*Click to view products by [TE Connectivity](#) manufacturer:*

Other Similar products are found below :

[892-18-020-10-001101](#) [58102-G61-06LF](#) [582553-1](#) [0009485154](#) [009176003701906](#) [0050291907](#) [LY20-4P-DT1-P1E-BR](#) [02.125.8002.8](#)  
[609-3404](#) [61062-3](#) [61082-181009](#) [622-3653LF](#) [63453-116](#) [636-1030](#) [636-1427](#) [636-3427](#) [636-4007](#) [641938-9](#) [641991-4](#) [644827-2](#) [65817-](#)  
[010LF](#) [65817-015LF](#) [65863-015LF](#) [66207-023LF](#) [67095-007LF](#) [67601157](#) [68645-018](#) [68648-049](#) [70.362.1628.0](#) [70-4210](#) [70-4226B](#) [70-](#)  
[4853B](#) [707-5020](#) [707-5028](#) [71.350.2428.0](#) [71918-208LF](#) [71961-016LF](#) [733-134](#) [733-162](#) [754199-000](#) [760-3052](#) [787-8014-00](#) [79531-3000](#)  
[FCN-360C032-B](#) [FCN-367T-T012/H](#) [FCN-723D010/2](#) [80.063.4001.1](#) [800-90-001-10-001000](#) [800-90-010-10-002000](#) [801-43-002-10-013000](#)