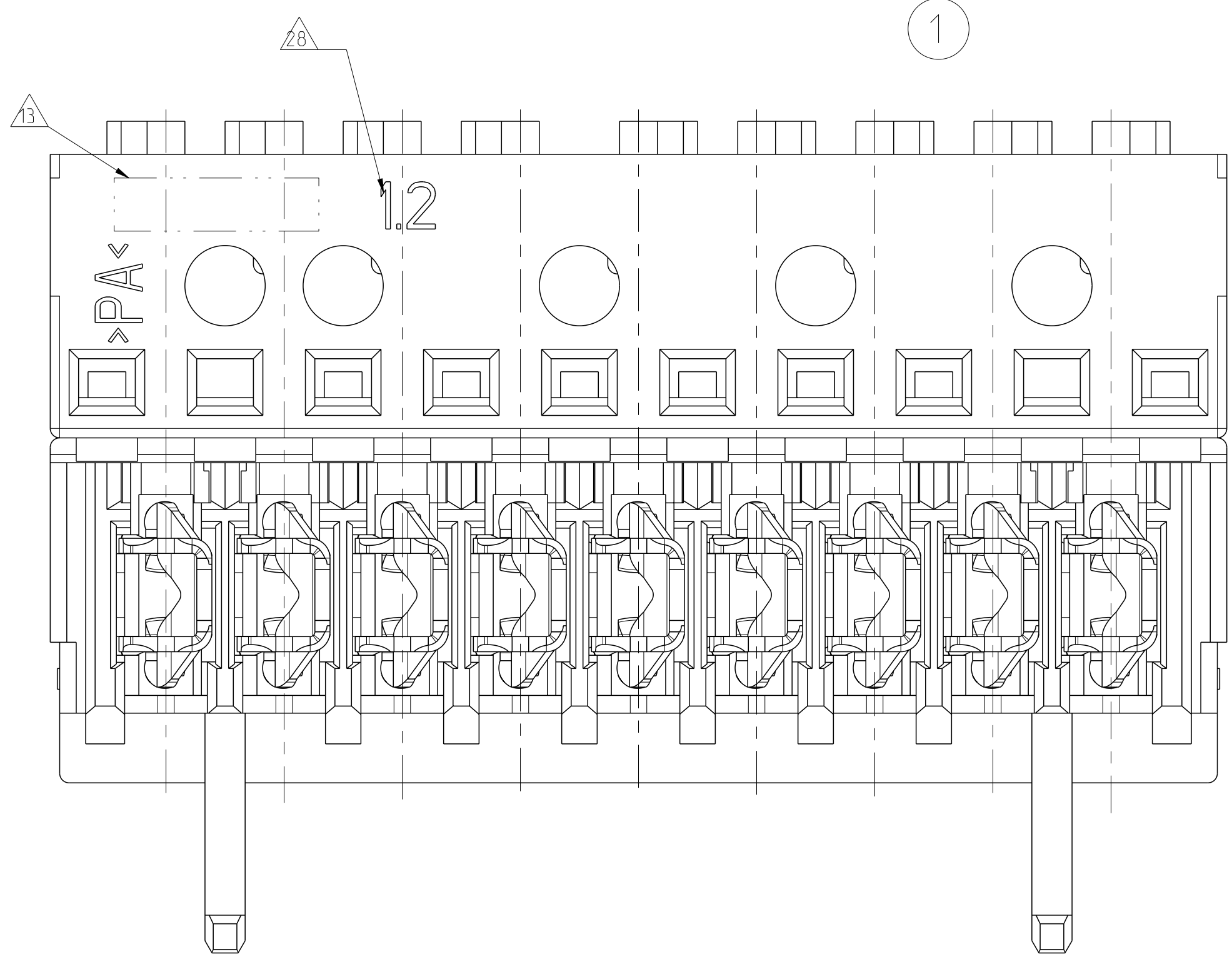
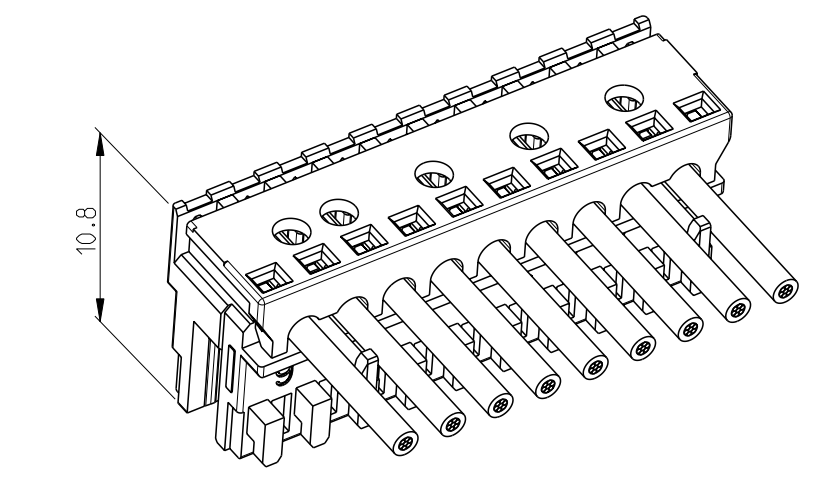
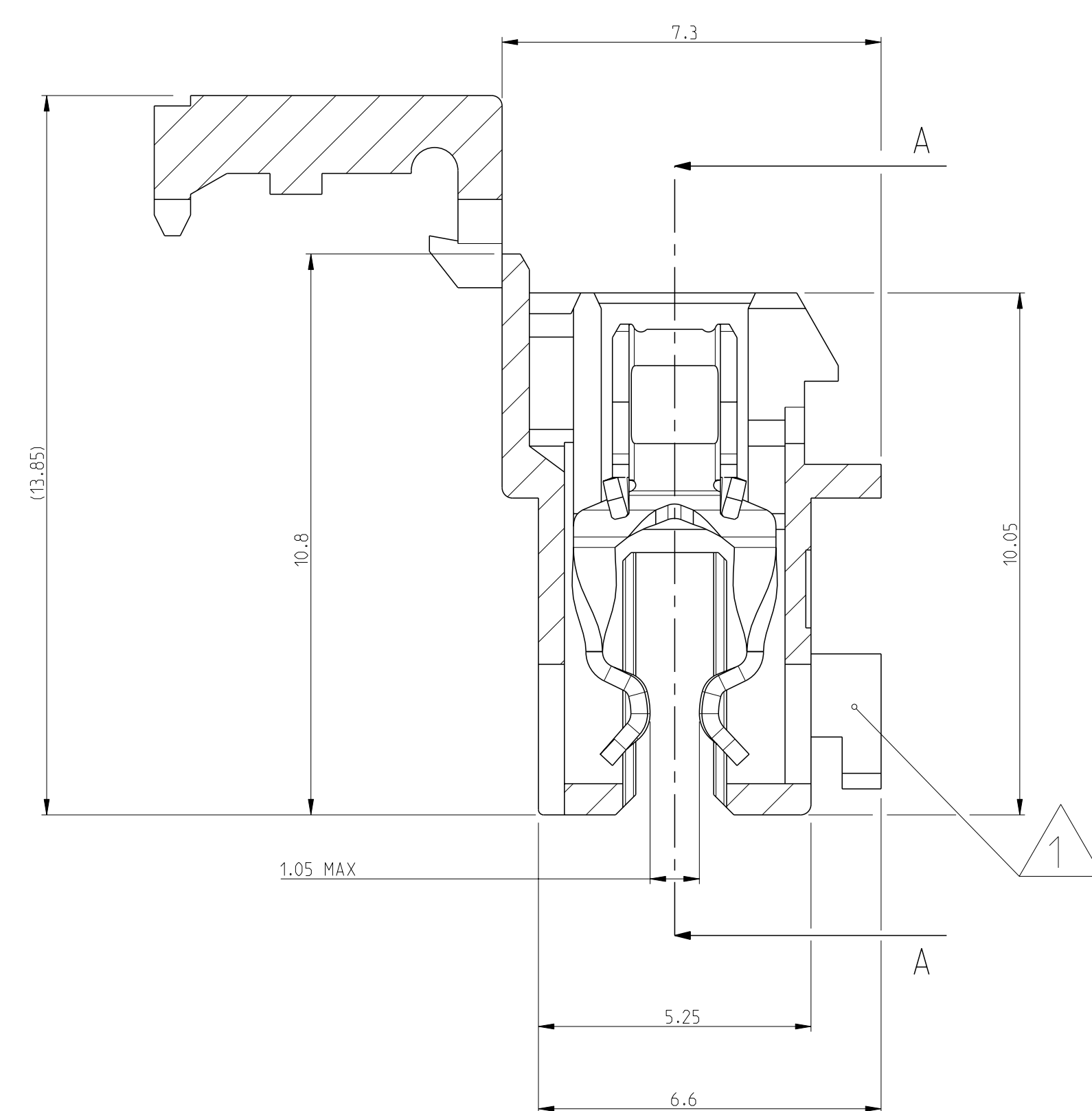
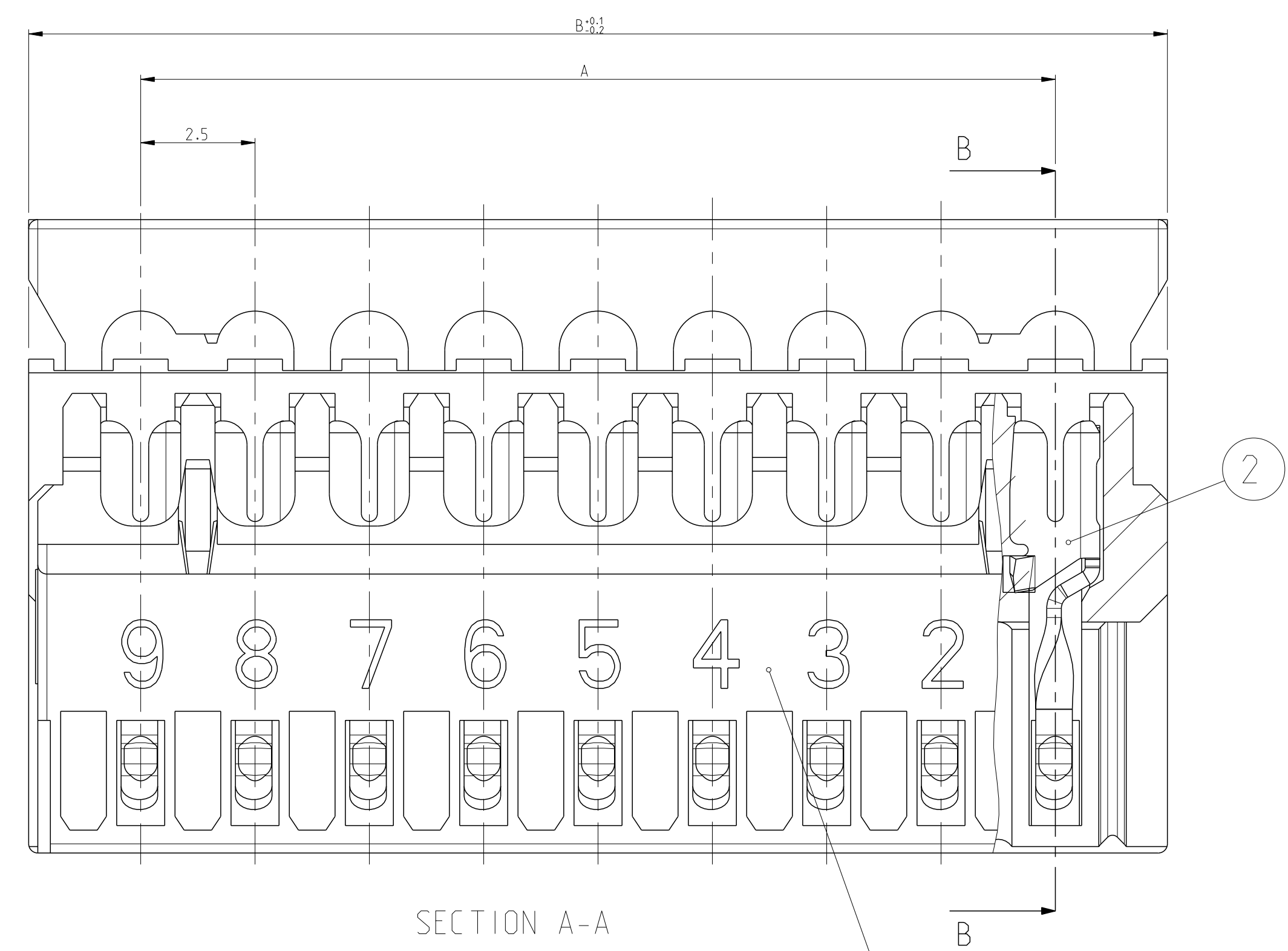
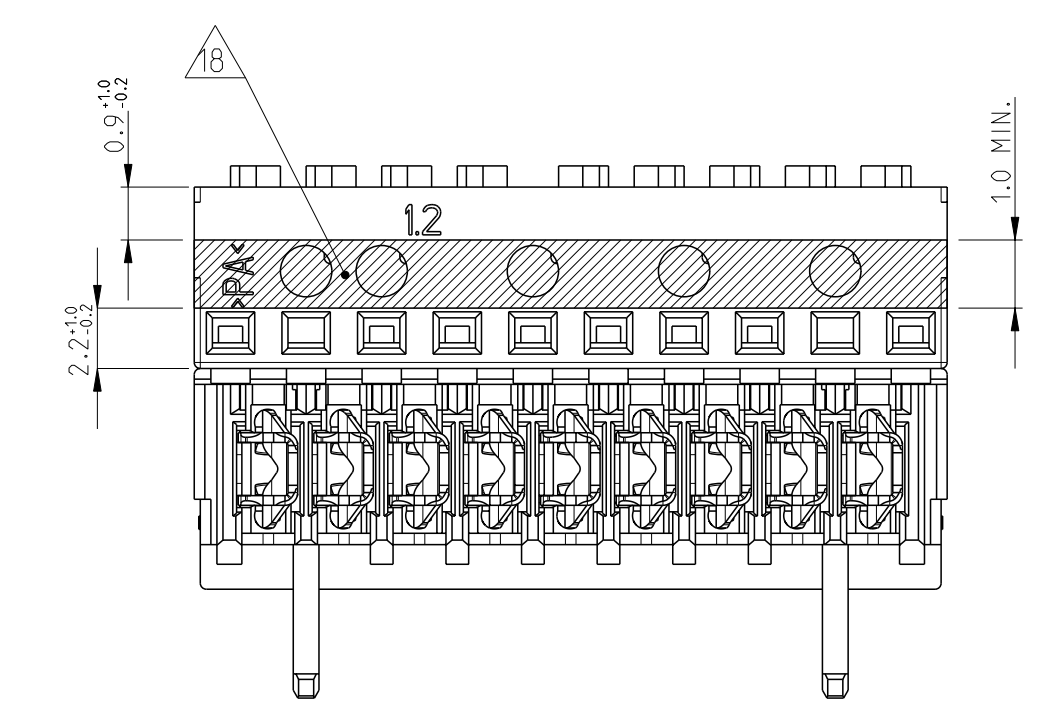
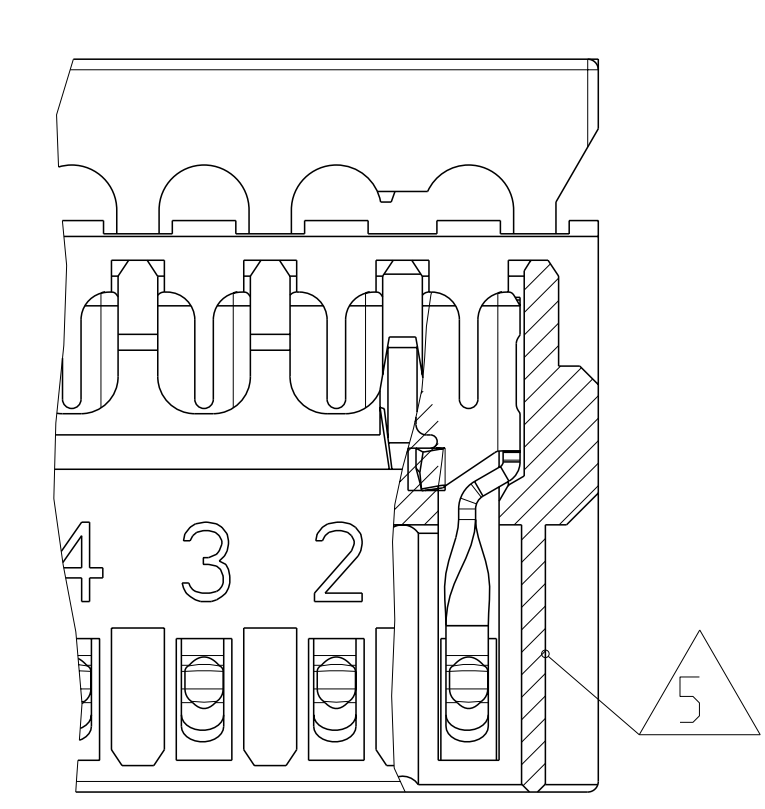
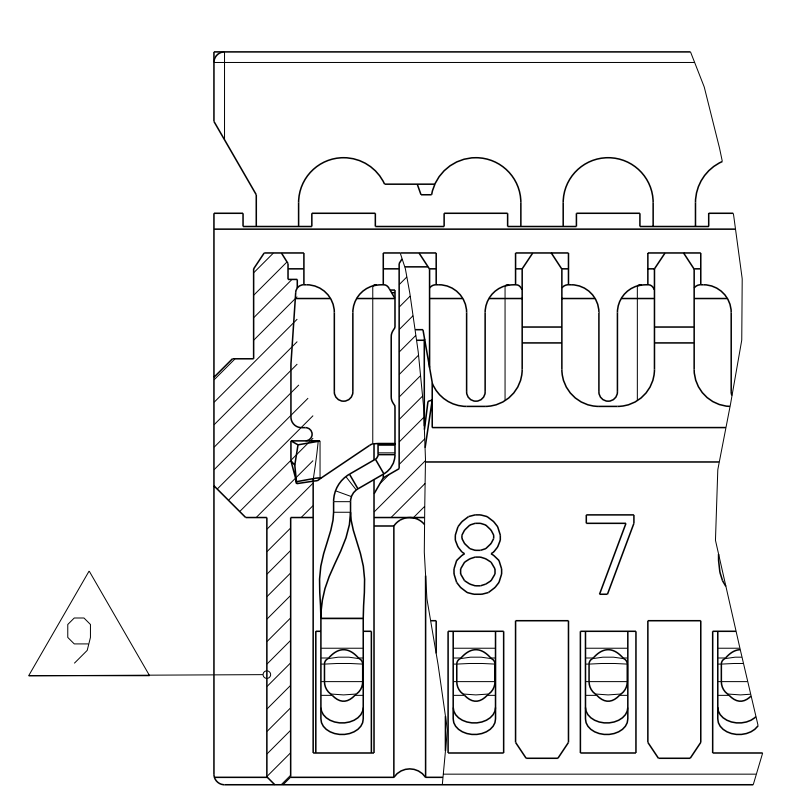
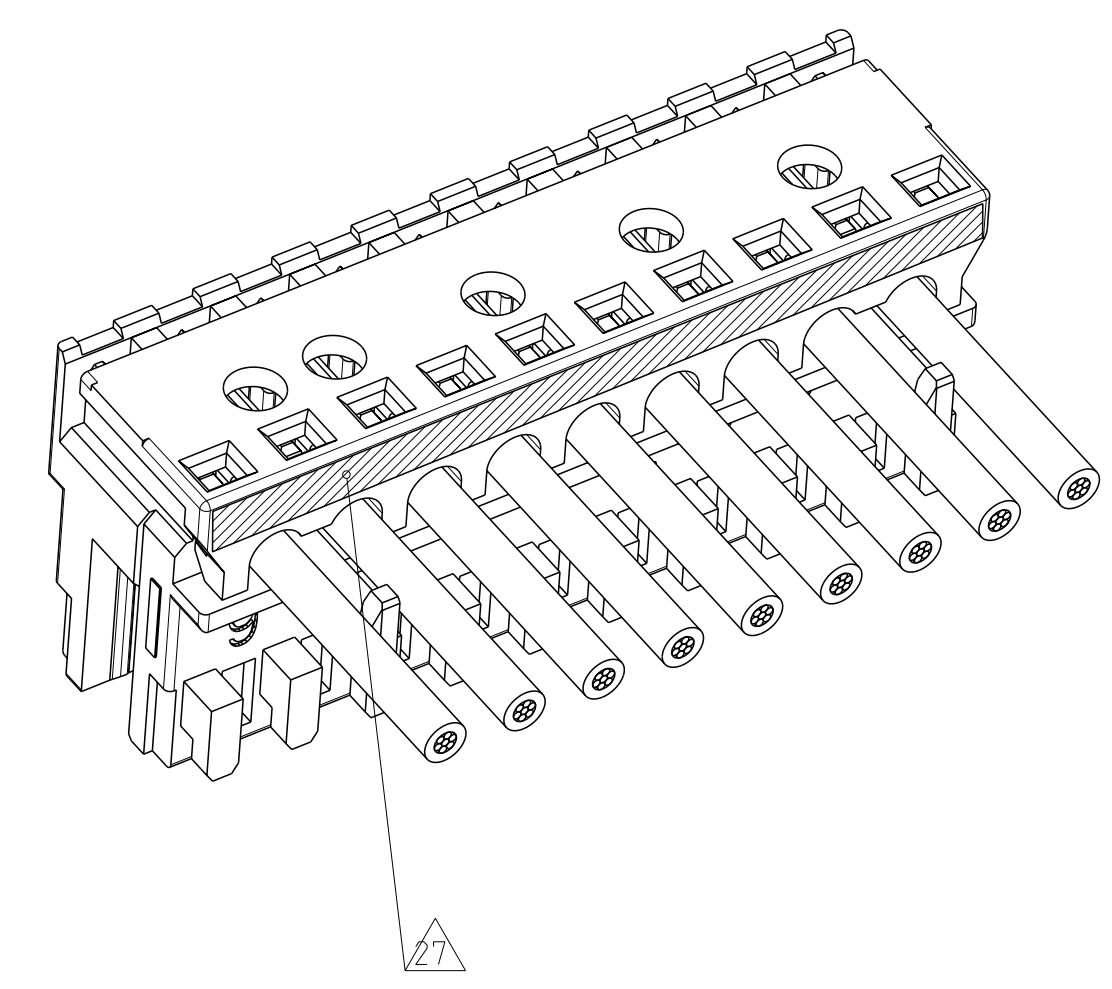


LOC		DIST		REVISIONS			
A1				DESCRIPTION	DATE	OWN	APVD
		D66		ECR-21-115157	28SEP2021	W W	FL



SECTION B-B

- 28 CAVITY ID STARTS WITH LETTER FOR PARTS PRODUCTION IN QINGDAO PLANT. SUCH AS "A1.1"
- 27 STRIPE IN YELLOW COLOR WHERE SHOWN. PRESENT ON THE PARTS PRODUCED IN TE COLLENO ONLY
- 26 DIMENSION AVAILABLE ONLY FOR PART X-2304525-X, X-2304526-X.
- 25 WITH SPECIAL CHAIN FEATURE
- 24 SIDE KEYING ON LAST CAVITY. THICK-1.5mm
- 23 -
- 19 SIDE KEYING. THICK. ON CAVITY No.1
- 18 COLOR STRIP ON COVER OF HOUSING. NOT THE COLOR OF HOUSING.
- 17 SLOT FOR KEYING. SLIM. BETWEEN POSITION
- 16 SLOT FOR KEYING. THICK. BETWEEN POSITION
- 15 KEYING. THICK. BETWEEN POSITION
- 14 COLOR CODE
- 13 TE LOGO
- 12 PRELIMINARY PART NOT RELEASED FOR PRODUCTION
- 11 KEYING. SLIM. BETWEEN POSITION
- 10 SLOT FOR SIDE KEYING. ON LAST CAVITY
- 9 SIDE KEYING. SLIM. ON LAST CAVITY
- 8 INCLUSIVE COPPER LOADING
- 7 PCB PREFERABLY CHAMFERED
- 6 SLOT FOR SIDE KEYING. ON CAVITY NO 1
- 5 SIDE KEYING. ON CAVITY NO. 1
- 4 WIRE RANGE: 0.22-0.35mm² SEE APPLICATION SPEC. 114-18467
- 3 IEC60695-2-11 / IEC60335-1 GLOW WIRE TEST 750 °C WITHOUT FLAME
- 2 MATING PART: PCB (WITH FRAMES ACC. RAST 2.5 E.G. PN 964 575/576) TAB HEADER (FOR EXAMPLE: X-1971817/818-Y)
- 1 KEYING RIBS; CUTTING WITH TERMINATION MACHINE POSSIBLE



THIS DRAWING IS A CONTROLLED DOCUMENT.		OWN H. Karabiyik 24MAY2002	NAME AMP DUOPLUG 2.5 MARK II FEMALE CONNECTOR 2-20 POSITION
DIMENSIONS: mm		CHK B. Schnaubelt 24MAY2002	RESTRICTED TO
TOLERANCES UNLESS OTHERWISE SPECIFIED:		APVD T. Klenner 24MAY2002	SCALE 10:1 SHEET 1 OF 4
0 PLC ±0.2	1 PLC ±0.2	PRODUCT SPEC	Customer Drawing
2 PLC ±0.2	3 PLC ±0.2	108-18785	REVISION
4 PLC ±	ANGLES ±°	APPLICATION SPEC	U66
MATERIAL	FINISH	114-18467	
		WEIGHT	
		SIZE CAGE CODE DRAWING NO	
		A1 00779	


LOC	DIST	REVISIONS					
		P	LYR	DESCRIPTION	DATE	OWN	APVD
A1	-			SEE SHEET 1			

GWEPT 750°C NO FLAME & UL94-V2, TIN PLATED VERSION (2-9 POSITION)										
SL NO	PN	DIM A	DIM B	KEYING	KEYING	KEYING	KEYING	KEYING	KEYING	TE P/N
9	20	24.9					2/3			5-1534796-9
9	20	24.9					4/5			2-1534796-9 ¹²
9	20	24.9								3-1534796-9
9	20	24.9		X			3/4			4-1534796-9 ¹²
Brown	8	17.5	22.4				2/3			9-1534796-8
	8	17.5	22.4		X		3/4			8-1534796-8
	8	17.5	22.4				3/4	X		7-1534796-8
	8	17.5	22.4				3/4			6-1534796-8
	8	17.5	22.4					X		5-1534796-8
	8	17.5	22.4							3-1534796-8
	8	17.5	22.4				5/6			2-1534796-8
	7	15	19.9				2/3			7-1534796-7
BLUE	7	15	19.9				2/3			6-1534796-7
BLUE	7	15	19.9	X			2/3			4-1534796-7 ¹²
	7	15	19.9				5/6			5-1534796-7 ¹²
	7	15	19.9							3-1534796-7
	6	12.5	17.4				2/3	X	X	9-1534796-6
	6	12.5	17.4				1/2			8-1534796-6 ¹²
	6	12.5	17.4				3/4			7-1534796-6 ¹²
	6	12.5	17.4				2/3			6-1534796-6
BLUE	6	12.5	17.4				4/5			2-1534796-6
	6	12.5	17.4				4/5			5-1534796-6
	6	12.5	17.4					X		4-1534796-6
	6	12.5	17.4							3-1534796-6
RED	5	10	14.9				4/5			8-1534796-5
	5	10	14.9				1/2			9-1534796-5
	5	10	14.9				1/2			4-1534796-5 ¹²
GREEN	5	10	14.9				3/4			7-1534796-5
BROWN	5	10	14.9				2/3			6-1534796-5
	5	10	14.9					X		5-1534796-5 ¹²
	5	10	14.9							3-1534796-5
BROWN	5	10	14.9				1/2			0-1534796-5 ¹²
GREEN	4	7.5	12.4					X		1-2825353-4
	4	7.5	12.4					X		0-2825353-4 ¹²
RED	4	7.5	12.4							9-1534796-4
BLACK	4	7.5	12.4				2/3			8-1534796-4
BLACK	4	7.5	12.4	X			2/3			2-1534796-4 ¹²
BLACK	4	7.5	12.4				3/4			5-1534796-4
	4	7.5	12.4				1/2			6-1534796-4
	4	7.5	12.4	X			1/2			1534796-4 ¹²
	4	7.5	12.4				3/4			7-1534796-4 ¹²
	4	7.5	12.4					X		4-1534796-4
	4	7.5	12.4							3-1534796-4
RED	3	5	9.9				2/3			2-1534796-3
	3	5	9.9					X		8-1534796-3 ¹²
RED	3	5	9.9				2/3			9-1534796-3
	3	5	9.9				2/3			6-1534796-3
	3	5	9.9				1/2			7-1534796-3
	3	5	9.9				2/3	X		4-1534796-3 ¹²
	3	5	9.9							3-1534796-3
	2	2.5	7.4				1/2			1-1534796-2
	2	2.5	7.4							1534796-2

GWEPT 750°C NO FLAME & UL94-V2, TIN PLATED VERSION (10-20 POSITION)										
SL NO	PN	DIM A	DIM B	KEYING	KEYING	KEYING	KEYING	KEYING	KEYING	TE P/N
	20	47.5	52.4							3-1534797-0 ¹²
	19	45	49.9							5-1534797-9 ¹²
	19	45	49.9							4-1534797-9
	19	45	49.9							3-1534797-9
	16	37.5	42.4							3-1534797-6
	15	35	39.9							3-1534797-5
	14	32.5	37.4							3-1534797-4
	13	30	34.9							3-1534797-3
	12	27.5	32.4					11/12		5-1534797-2 ¹²
	12	27.5	32.4						X	4-1534797-2
	12	27.5	32.4							3-1534797-2
	12	27.5	32.4	X	X		10/11	2/3		2-1534797-2
	11	25	29.9				5/6			7-1534797-1
	11	25	29.9				10/11			6-1534797-1 ¹²
	11	25	29.9				10/11		X	5-1534797-1 ¹²
	11	25	29.9				9/10			4-1534797-1
	11	25	29.9							3-1534797-1
	10	22.5	27.4				2/3			6-1534796-0
	10	22.5	27.4				8/9			4-1534796-0 ¹²
	10	22.5	27.4							3-1534796-0
	10	22.5	27.4				7/8			7-1534796-0

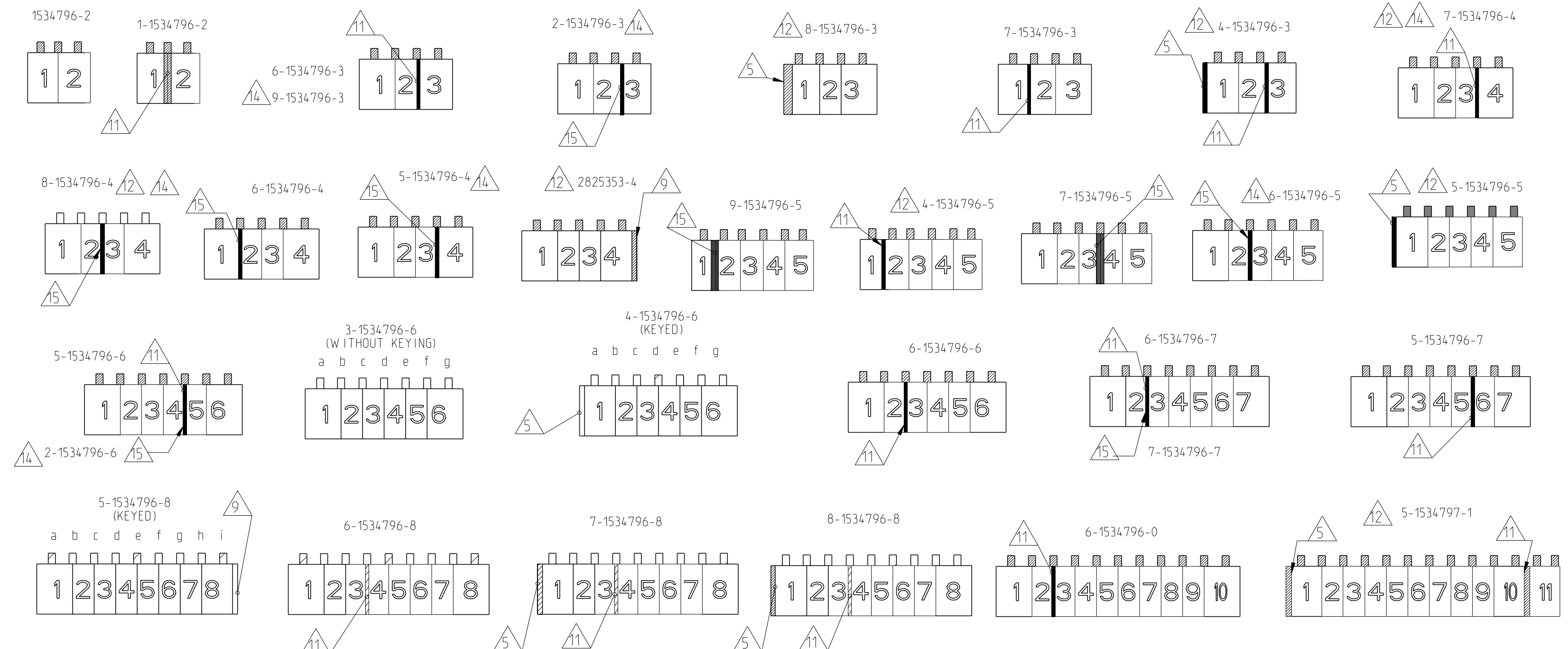
COLOR CODE	POS.	DIM A	DIM B	KEYING	KEYING	KEYING	KEYING	KEYING	KEYING	KEYING	TE P/N
2	SEE TABLE			CONTACT				CuSn			TINNED
1	SEE TABLE			HOUSING				HIGH TEMP PLASTIC			NATUR
SL NO	PN	DESCRIPTION	MATERIAL	COLOUR/FINISH							

COLOR CODE	POS.	DIM A	DIM B	KEYING	KEYING	KEYING	KEYING	KEYING	KEYING	KEYING	TE P/N
2	SEE TABLE			CONTACT				CuSn			TINNED
1	SEE TABLE			HOUSING				HIGH TEMP PLASTIC			NATUR
SL NO	PN	DESCRIPTION	MATERIAL	COLOUR/FINISH							

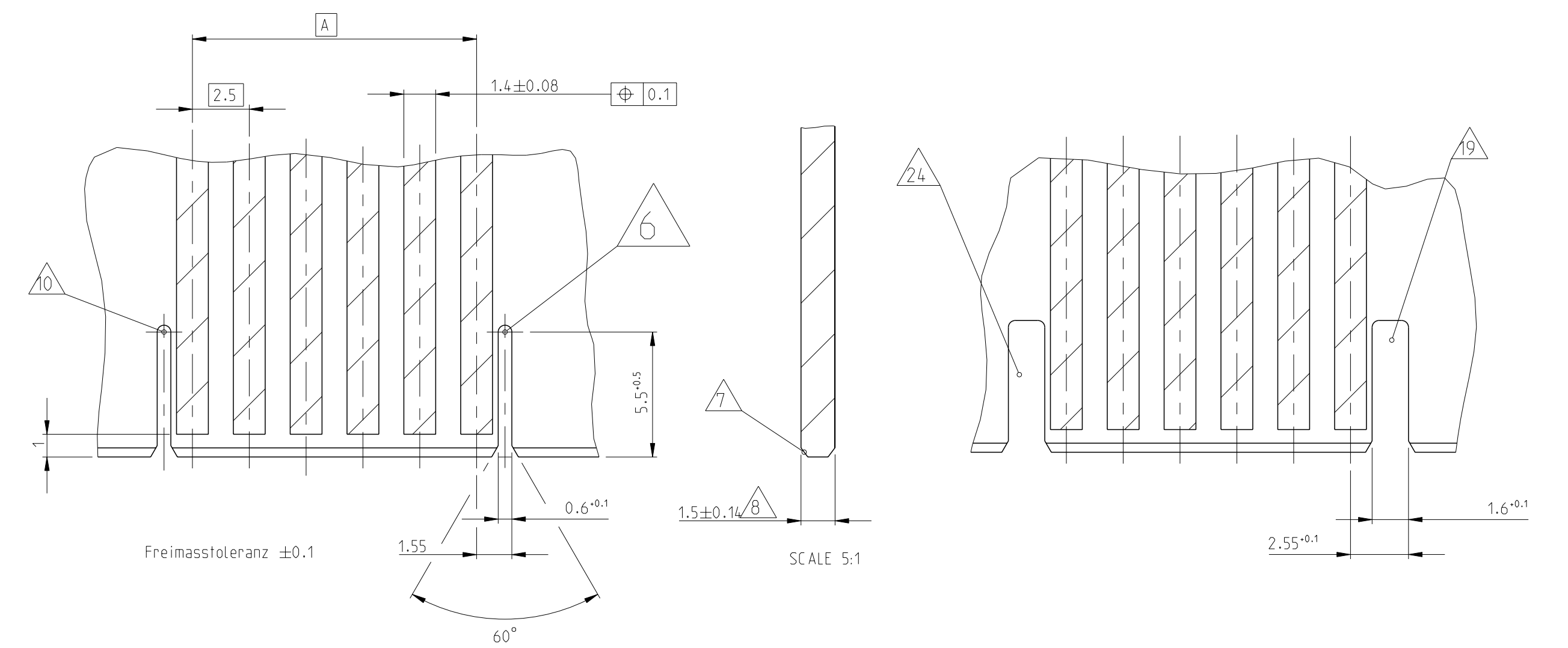
THIS DRAWING IS A CONTROLLED DOCUMENT.		OWN: H. Karabiyik 24MAY2002	 TE Connectivity NAME: AMP DUOPLUG 2.5 MARK II FEMALE CONNECTOR 2-20 POSITION
DIMENSIONS: mm		CHK: B. Schnaubelt 24MAY2002	
TOLERANCES UNLESS OTHERWISE SPECIFIED:		APVD: T. Klenner 24MAY2002	PRODUCT SPEC: 108-18785
0 PLC ±0.2 1 PLC ±0.2 2 PLC ±0.2 3 PLC ±0.2 4 PLC ±0.2 ANGLES ±°		APPLICATION SPEC: 114-18467	RESTRICTED TO: -
MATERIAL: -	FINISH: -	WEIGHT: -	SCALE: 10:1
Customer Drawing		SIZE: A1	SHEET: 2 OF 4
00779		DRAWING NO: C=1534796	REV: 066

LOC		DIST		REVISIONS			
P	LYR	DATE	DESCRIPTION	DATE	OWN	APVD	
-	-	-	SEE SHEET 1	-	-	-	

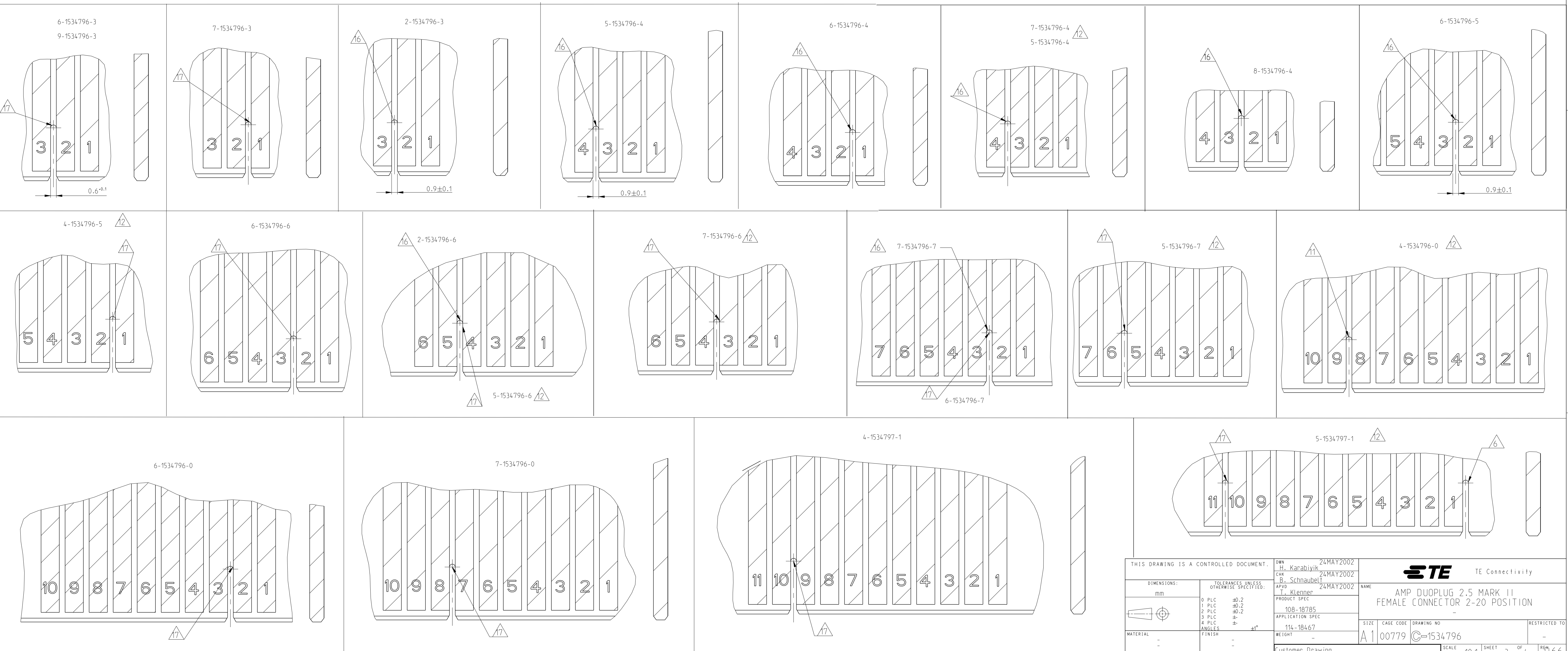
KEYING PLAN (EXAMPLES)
 Kodierschema (Beispiele)



PCB LAYOUT KEYED / CONNECTED ONLY WITH ADDITIONAL FRAME
 Leiterplattenanschluss kodiert / nur in Verbindung mit zusätzlichem Rahmen

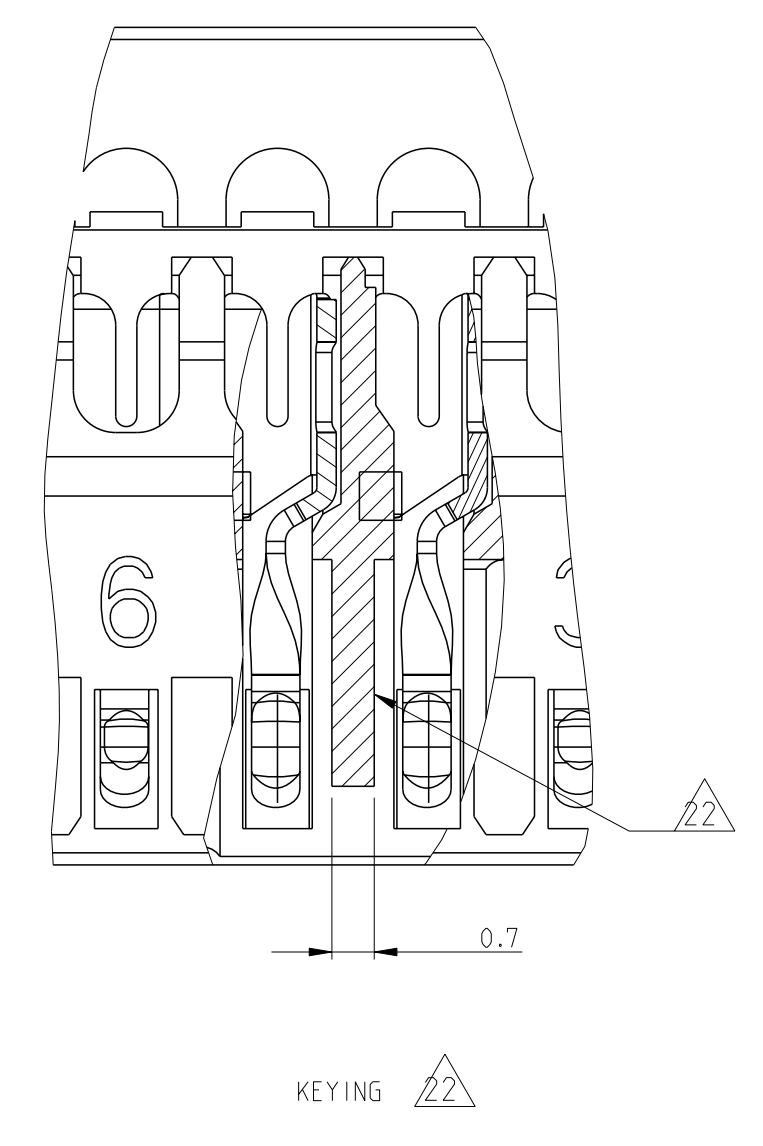
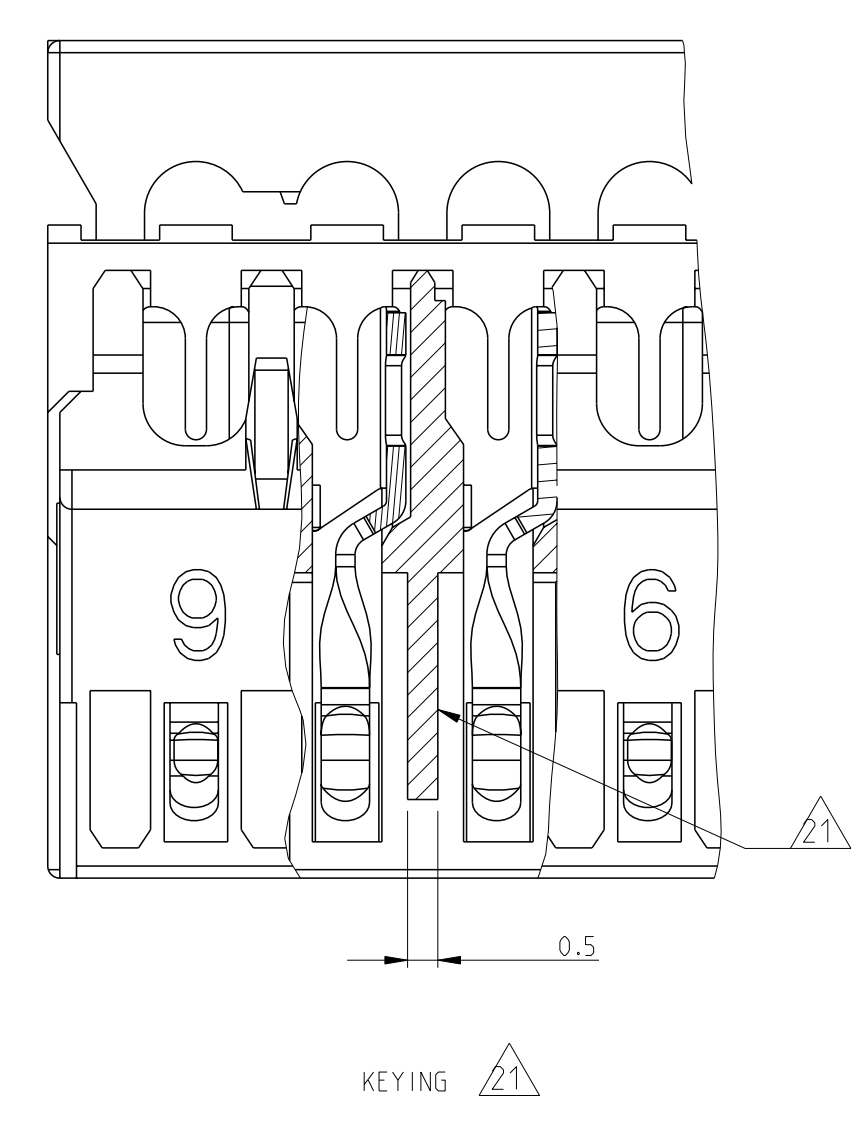


PCB LAYOUT FOR KEYING BETWEEN POSITION

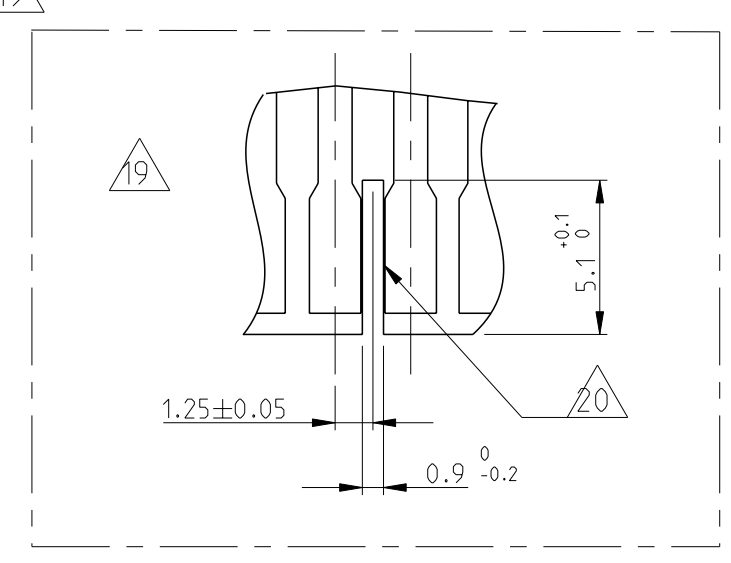


THIS DRAWING IS A CONTROLLED DOCUMENT.		OWN: H. Karabiyik 24MAY2002	TE Connectivity NAME: AMP DUOPLUG 2.5 MARK II FEMALE CONNECTOR 2-20 POSITION SIZE: CAGE CODE DRAWING NO. RESTRICTED TO A1 00779 ©=1534796
DIMENSIONS: mm		CHK: B. Schnaubelt 24MAY2002	
TOLERANCES UNLESS OTHERWISE SPECIFIED: 0 PLC ±0.2 1 PLC ±0.2 2 PLC ±0.2 3 PLC ±0.2 4 PLC ±0.2 ANGLES ±° FINISH ±*		PRODUCT SPEC: 108-18785 APPLICATION SPEC: 114-18467 WEIGHT: - MATERIAL: -	SCALE: 10:1 SHEET: 3 of 4 REV: U66

LOC	DIST	REVISIONS			
		REV	DATE	BY	APPV
A1	-	-	-	-	-
		-	SEE SHEET 1	-	-



- 22 KEYING. SPECIAL THICK. BETWEEN POSITION
- 21 KEYING. SPECIAL THIN. BETWEEN POSITION
- 20 SLOT FOR KEYING SPECIAL. BETWEEN POSITION
- 19 RECOMMENDED PCB CUTOFF DIMENSION FOR THE KEYING SPECIAL. BETWEEN POSITION



GWEPT 750°C NO FLAME & UL94-V0. TIN PLATED VERSION									
Color Code	POS. Polzahl	DIM A	DIM B	KEYING	KEYING	KEYING	KEYING	KEYING	PN Bestell-Nr.
	14	32.5	37.4						2304526-4 12
	12	27.5	32.4						2304526-2
	10	22.5	27.4						1-2304525-0
	9	20	24.9	-	-	-	-		3-2304525-9
Blue	8	17.5	22.4	-	-	-	-		2-2304525-8
	8	17.5	22.4	-	-	-	-		1-2304525-8
Brown	8	17.5	22.4	-	-	-	2/3		2304525-8
	7	15	19.9	-	-	-	-		2304525-7
Black	6	12.5	17.4	-	-	-	-		4-2304525-6
GREEN	6	12.5	17.4	-	-	-	1/2		3-2304525-6
Red	6	12.5	17.4	-	-	-	2/3		2-2304525-6
	6	12.5	17.4	-	-	-	-		1-2304525-6
Blue	6	12.5	17.4	-	-	-	4/5		2304525-6
	5	10	14.9	4/5					5-2304525-5
	5	10	14.9		1/2				4-2304525-5
Green	5	10	14.9	-	-	-	3/4		2-2304525-5
Brown	5	10	14.9	-	-	-	2/3		1-2304525-5
	5	10	14.9	-	-	-	-		2304525-5
Black	4	7.5	12.4	-	3/4				4-2304525-4
Blue	4	7.5	12.4	-	-				3-2304525-4
	4	7.5	12.4	-	-				2-2304525-4
Brown	4	7.5	12.4	-	-		1/2		1-2304525-4
Black	4	7.5	12.4	-	-		3/4		2304525-4
Red	3	5	9.9		2/3				3-2304525-3
	3	5	9.9					X	2-2304525-3 12
	3	5	9.9	-	-	-	-		1-2304525-3
Black	3	5	9.9	-	-	1/2			2304525-3
Color Code	POS. Polzahl	DIM A	DIM B	KEYING	KEYING	KEYING	KEYING	KEYING	PN Bestell-Nr.
2	SEE TABLE	CONTACT		CuSn		TINNED			
1	SEE TABLE	HOUSING		HIGH TEMP PLASTIC 3		NATUR			
SL NO	PN	DESCRIPTION		MATERIAL		COLOUR/FINISH			

THIS DRAWING IS A CONTROLLED DOCUMENT.

OWN: H. Karabiyik 24MAY2002
 CHK: B. Schnaubelt 24MAY2002
 APVD: T. Klenner 24MAY2002

STE TE Connectivity

NAME: AMP DUOPLUG 2.5 MARK II FEMALE CONNECTOR 2-20 POSITION

PRODUCT SPEC: 108-18785
 APPLICATION SPEC: 114-18467

SIZE: A1 CAGE CODE: 00779 DRAWING NO: 1534796 RESTRICTED TO: -

MATERIAL: - FINISH: - WEIGHT: - SCALE: 10:1 SHEET: 4 OF 4 REV: U66

Customer Drawing

X-ON Electronics

Largest Supplier of Electrical and Electronic Components

Click to view similar products for [Automotive Connectors](#) category:

Click to view products by [TE Connectivity](#) manufacturer:

Other Similar products are found below :

[003-018-000](#) [60403001](#) [60993906-B](#) [M902-2131](#) [M902-2161](#) [72.330.1035.1](#) [73.353.4028.0](#) [F119300-B](#) [F166900](#) [F258300-B](#) [F358300-B](#)
[F407400](#) [F444110](#) [F487000](#) [F509500B-B](#) [827153-1](#) [8N1515-32-24P](#) [9-1326729-8](#) [925474-1](#) [928905-1](#) [964562-4](#) [968782-1](#) [GT17SA-8DS-](#)
[HU](#) [98891-1012](#) [98947-1016](#) [12004147](#) [12004475-L](#) [12010290](#) [12010309-B](#) [12015454](#) [12020219-B](#) [12020308](#) [12041318-B](#) [12052225-L](#)
[12052466](#) [12059125](#) [12064869](#) [12004327-B](#) [12010503-B](#) [12015308](#) [12015384](#) [12015909](#) [1-21030-1](#) [12041254](#) [12041318](#) [12047946-B](#)
[12047957](#) [12047957-L](#) [12059473](#) [12066261](#)