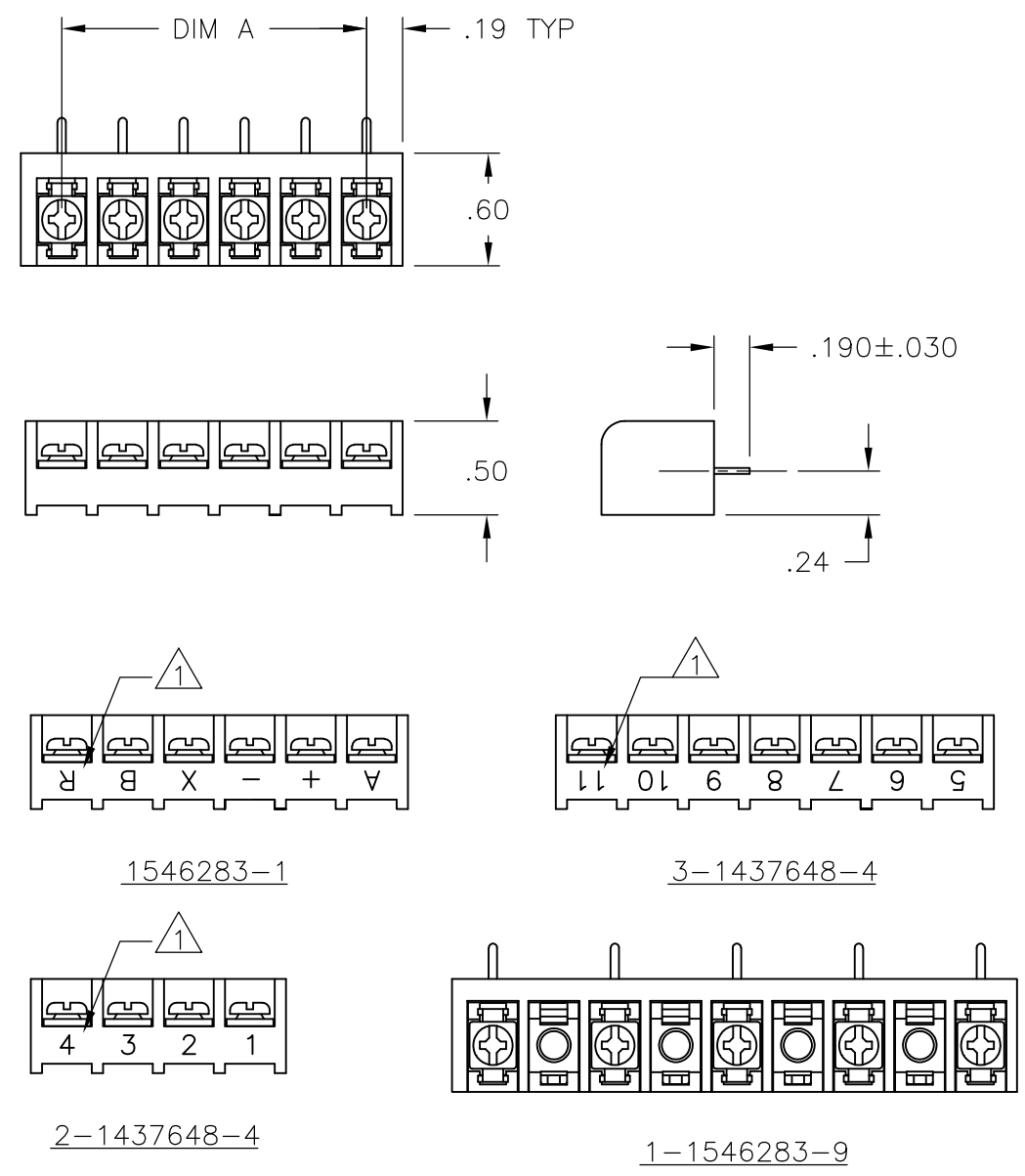


THIS DRAWING IS UNPUBLISHED. RELEASED FOR PUBLICATION  
 © COPYRIGHT - By - ALL RIGHTS RESERVED.

LOC	DIST	REVISIONS					
FT	0	P	LTR	DESCRIPTION	DATE	DWN	APVD
			C1	REVISED PER ECO-11-004917	11MAR11	RK	HMR

- ① MARKED USING WHITE INK AS SHOWN.
- ② SCREWS BOTTOMED.
- ③ OBSOLETE PARTS: OBSOLETE CIS STREAMLINING PER D.RENAUD/D.SINISI



	8.775	28	4PCR-28-006	1546279-1	
	8.450	27	4PCR-27-006	1-1546283-6	
	8.125	26	4PCR-26-006	1-1546283-5	
	7.800	25	4PCR-25-006	1-1546283-4	
	7.475	24	4PCR-24-006	9-1546119-1	
	7.150	23	4PCR-23-006	4-1437648-9	
	6.825	22	4PCR-22-006	1-1546283-3	
	6.500	21	4PCR-21-006	1-1546283-2	
	6.175	20	4PCR-20-006	1-1546283-1	
	5.850	19	4PCR-19-006	1-1546283-0	
	5.525	18	4PCR-18-006	1546283-9	
	5.200	17	4PCR-17-006	4-1437648-8	
	4.875	16	4PCR-16-006	1546283-8	
	4.550	15	4PCR-15-006	1546283-7	
	4.225	14	4PCR-14-006	1546283-6	
	3.900	13	4PCR-13-006	1546283-5	
	3.575	12	4PCR-12-006	9-1546119-0	
	3.250	11	4PCR-11-006	1546283-4	
	2.925	10	4PCR-10-006	8-1546119-9	
	2.600	9	4PCR-05-526	1-1546283-9	
②③	OBSOLETE	2.600	9	4PCR-09-518	1546283-3
	2.600	9	4PCR-09-006	4-1437648-1	
	2.275	8	4PCR-08-006	3-1437648-8	
③	OBSOLETE	1.950	7	4PCR-07-444	3-1437648-4
	1.950	7	4PCR-07-006	8-1546119-8	
②③	OBSOLETE	1.625	6	4PCR-06-517	1546283-2
	1.625	6	4PCR-06-519	1546283-1	
	1.625	6	4PCR-06-006	3-1437648-1	
	1.300	5	4PCR-05-006	2-1437648-8	
③	OBSOLETE	.975	4	4PCR-04-468	2-1437648-4
	.975	4	4PCR-04-006	2-1437648-3	
	.650	3	4PCR-03-006	2-1437648-0	
	.325	2	4PCR-02-006	1-1437648-8	
	DIM A REF	NO OF POS	CATALOG NUMBER	PART NO.	

THIS DRAWING IS A CONTROLLED DOCUMENT.

DIMENSIONS: INCHES	TOLERANCES UNLESS OTHERWISE SPECIFIED:	DWN S. SCHLEGEL 9/26/03	TE Connectivity NAME 4PCR-XX-006 ASSEMBLY
	0 PLC ± -	CHK S. YODER 9/26/03	
	1 PLC ± -	APVD S. YODER 9/26/03	
MATERIAL	FINISH	PRODUCT SPEC	

APPLICATION SPEC: -

WEIGHT: -

CUSTOMER DRAWING

SIZE: A3 CAGE CODE: 00779 DRAWING NO: C-2-1437648-0

SCALE: NTS SHEET: 1 OF 2 REV: C1

4

3

2


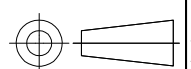
1

THIS DRAWING IS UNPUBLISHED.      RELEASED FOR PUBLICATION      - , - .

© COPYRIGHT - By -      ALL RIGHTS RESERVED.

LOC	DIST	REVISIONS					
FT	0	P	LTR	DESCRIPTION	DATE	DWN	APVD
		-		SEE SHEET 1	-	-	-

9.425	30	4PCR-30-006	1-1546283-8
9.100	29	4PCR-29-006	1-1546283-7
DIM A REF	NO OF POS	CATALOG NUMBER	PART NO.

THIS DRAWING IS A CONTROLLED DOCUMENT.		DWN	S. SCHLEGEL	9/26/03	 <b>TE Connectivity</b>		
DIMENSIONS: INCHES		CHK	S. YODER	9/26/03			
		APVD	S. YODER	9/26/03			
TOLERANCES UNLESS OTHERWISE SPECIFIED: 0 PLC ± - 1 PLC ± - 2 PLC ± .01 3 PLC ± .005 4 PLC ± - ANGLES ± 1°		PRODUCT SPEC		NAME			
MATERIAL		APPLICATION SPEC		4PCR-XX-006 ASSEMBLY			
FINISH		WEIGHT		SIZE	CAGE CODE	DRAWING NO	RESTRICTED TO
-		-		A3	00779	C-2-1437648-0	-
CUSTOMER DRAWING				SCALE	NTS	SHEET	2 OF 2
				REV		C1	

## X-ON Electronics

Largest Supplier of Electrical and Electronic Components

*Click to view similar products for [Barrier Terminal Blocks](#) category:*

*Click to view products by [TE Connectivity](#) manufacturer:*

Other Similar products are found below :

[6C1N03](#) [6PCR-02-008](#) [6PCR-05-008](#) [6PCR-08-008](#) [6PCR-21-006](#) [6PCV-06-008](#) [6PCV-10-009](#) [6PCV-15-008](#) [6STR-06-006](#) [6STR-08-006](#)  
[6STR-12-008](#) [6STR-14-008](#) [6STR-16-008](#) [6STR-17-008](#) [6STR-21-008](#) [6STR-25-008](#) [6STR-27-008](#) [6STV-03-006](#) [6STV-03-008](#) [6STV-04-006](#) [6STV-10-006](#) [6WWR-03](#) [6WWV-12-008](#) [6WWV-16-008](#) [7-1546701-0](#) [72212603](#) [72503-C](#) [72504-C-50](#) [73203](#) [76007](#) [7604-501LF](#)  
[77010-50](#) [796985-3](#) [796988-4](#) [7C1N08](#) [8-1437402-5](#) [8-1437402-7](#) [8-1546158-0](#) [870505](#) [870903](#) [8PCR-06-006](#) [8PCV-02-008](#) [8PCV-05-008](#)  
[8PCV-09-006](#) [8PCV-15-006](#) [8PCV-17-006](#) [8QCR-03-008](#) [8STV-04-006](#) [9-1437402-3](#) [A103104](#)