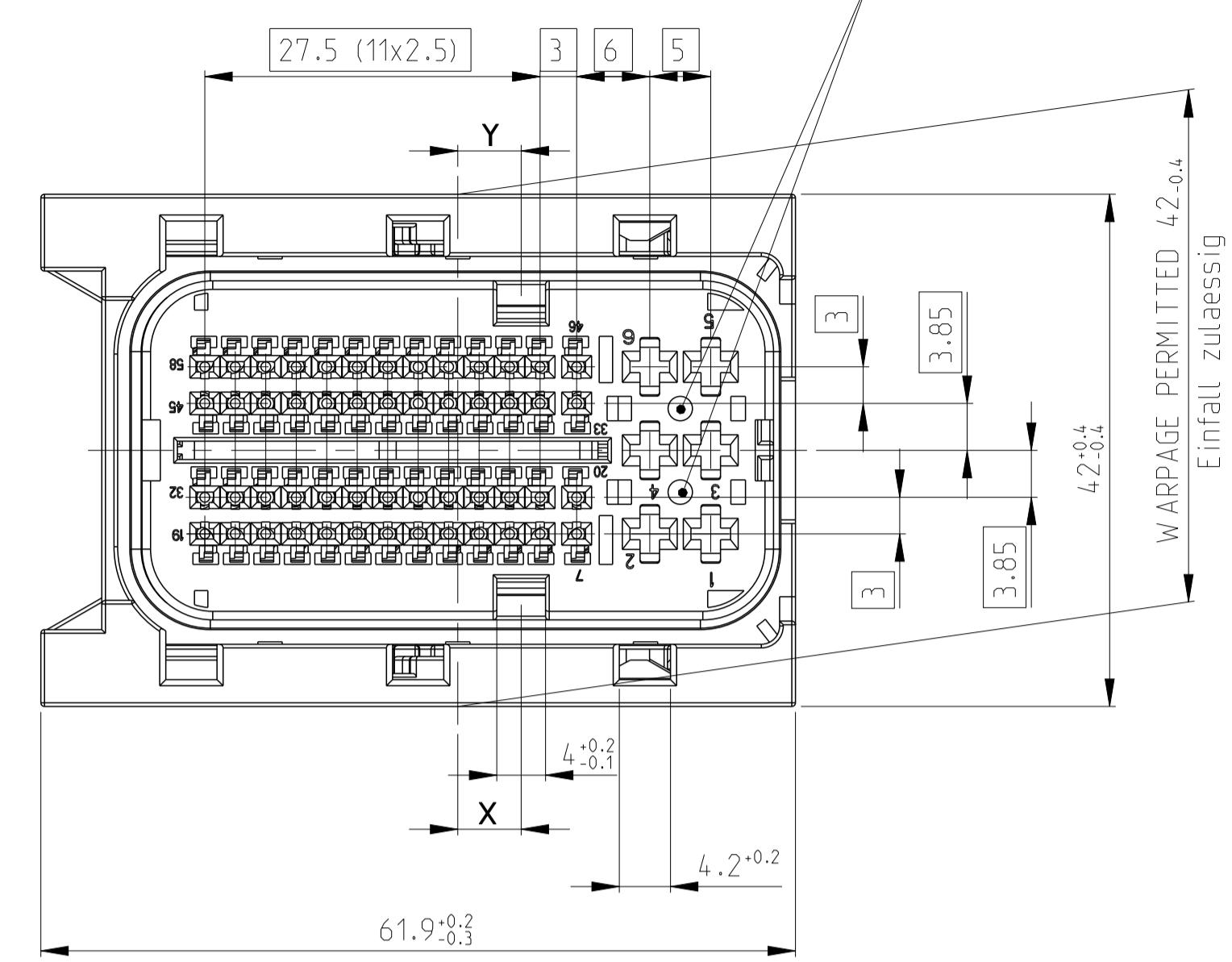
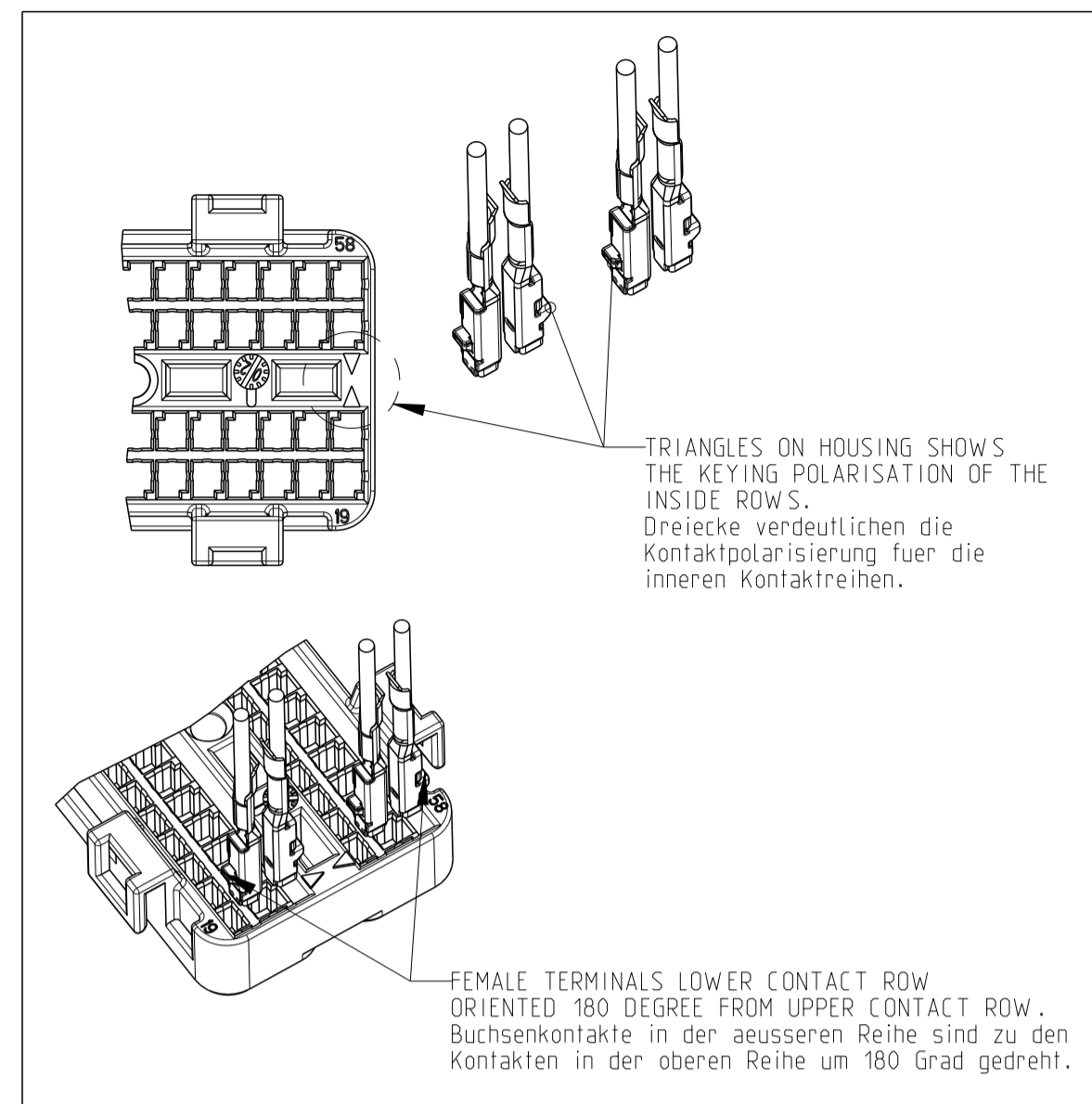


| LOC | DIST | REVISIONS | | | | | |
|-----|------|-----------|---------------|-------------|-----------|-----|------|
| A1 | - | P | LTN | DESCRIPTION | DATE | DMN | APVD |
| | | D | ECR-12-000600 | | 11JAN2012 | GP | GM |
| | | D1 | ECR-18-000001 | | 01JAN2018 | RS | KR |
| | | D2 | ECR-18-012898 | | 16AUG2018 | RS | KR |

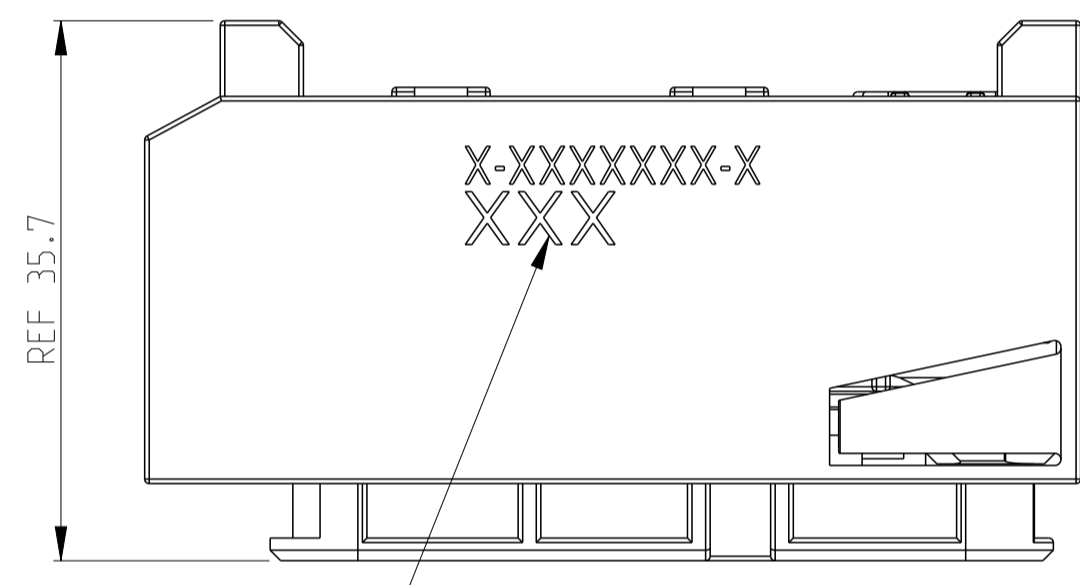
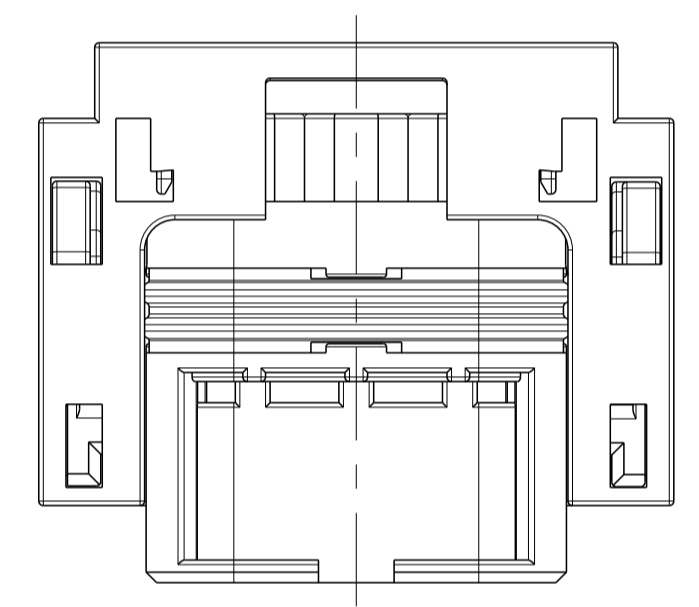
D2 DEVIATION IN TOOL NO. 21-1043051 (CAVITY MARKING 1-4):
 MATERIAL RECESS RECTANGULAR



| CODE | DIM "X" | DIM "Y" |
|------|---------|---------|
| A | 5.2 | 5.2 |



| QTY | REQD PER ASSY | MATERIAL | DESCRIPTION | COLOR | ITEM NO |
|-------------|---------------|-----------|---|------------|---------|
| 1x | | PA66-GF25 | 58 POS. PCM CON. SLIDE RIGHT | BLACK | 7 |
| 1x | | PA66-GF25 | 58 POS. PCM CON. SLIDE LEFT | BLACK | 6 |
| 1x | | PBT-GF20 | 58 POS. PCM CON. COVER FOR FAMILY SEAL | BLACK | 5 |
| 1x | | SILICONE | 52 POS. FAMILY SEAL | LIGHT BLUE | 4 |
| 1x | | SILICONE | 58 POS. PCM CON. PERIPHERAL SEAL | WHITE | 3 |
| 1x | | PA66-GF35 | 58 POS. PCM CON. CONTACT HOUSING CODING A | BLACK | 2 |
| 1x | | PA66-GF35 | 58 POS. PCM CON. FEMALE HOUSING | BLACK | 1 |
| 55 | | | WEIGHT OF EACH ASSY NO (g) | | |
| x-1563172-x | | | ASSEMBLY PART NUMBER | | |



MARKING FOR PINOUT CONFIGURATION
 SEE TABLE ON DRAWING 1564285
 Markierung fuer Pinoutkonfiguration
 siehe Tabelle auf der Zeichnung 1564285

NOTES:
 Bemerkungen

1 ASSY USED WITH PARTS:
 Assy wird verwendet mit folgenden Teilen:
 HEADER BOSCH: PN: 000 20633 614
 HEADER TE: PN 0-1565428-1

THE HAEDER IS NOT A PART OF THE DELIVERED ASSY.
 Der Header ist kein Bestandteil der gelieferten ASSY.

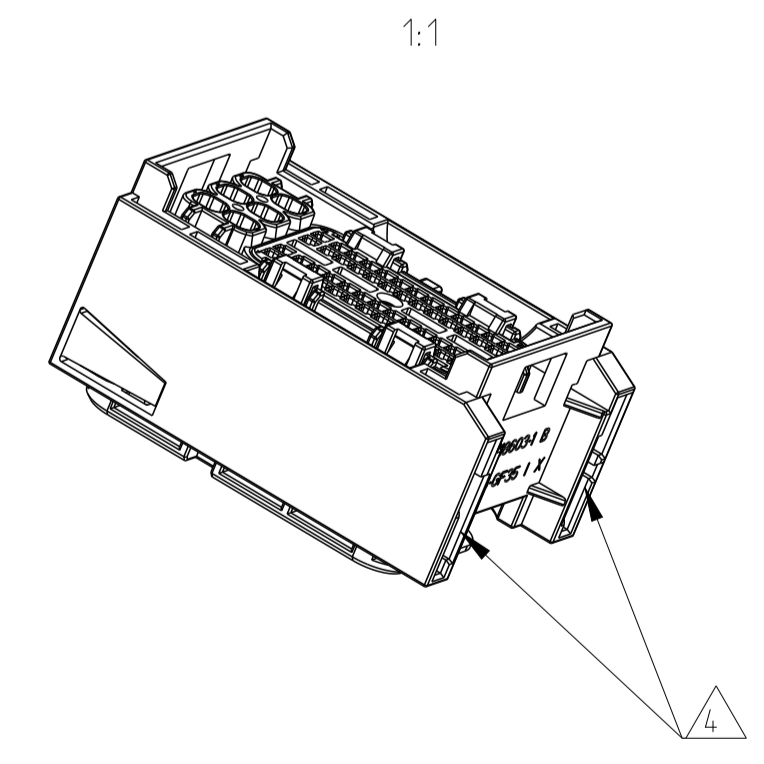
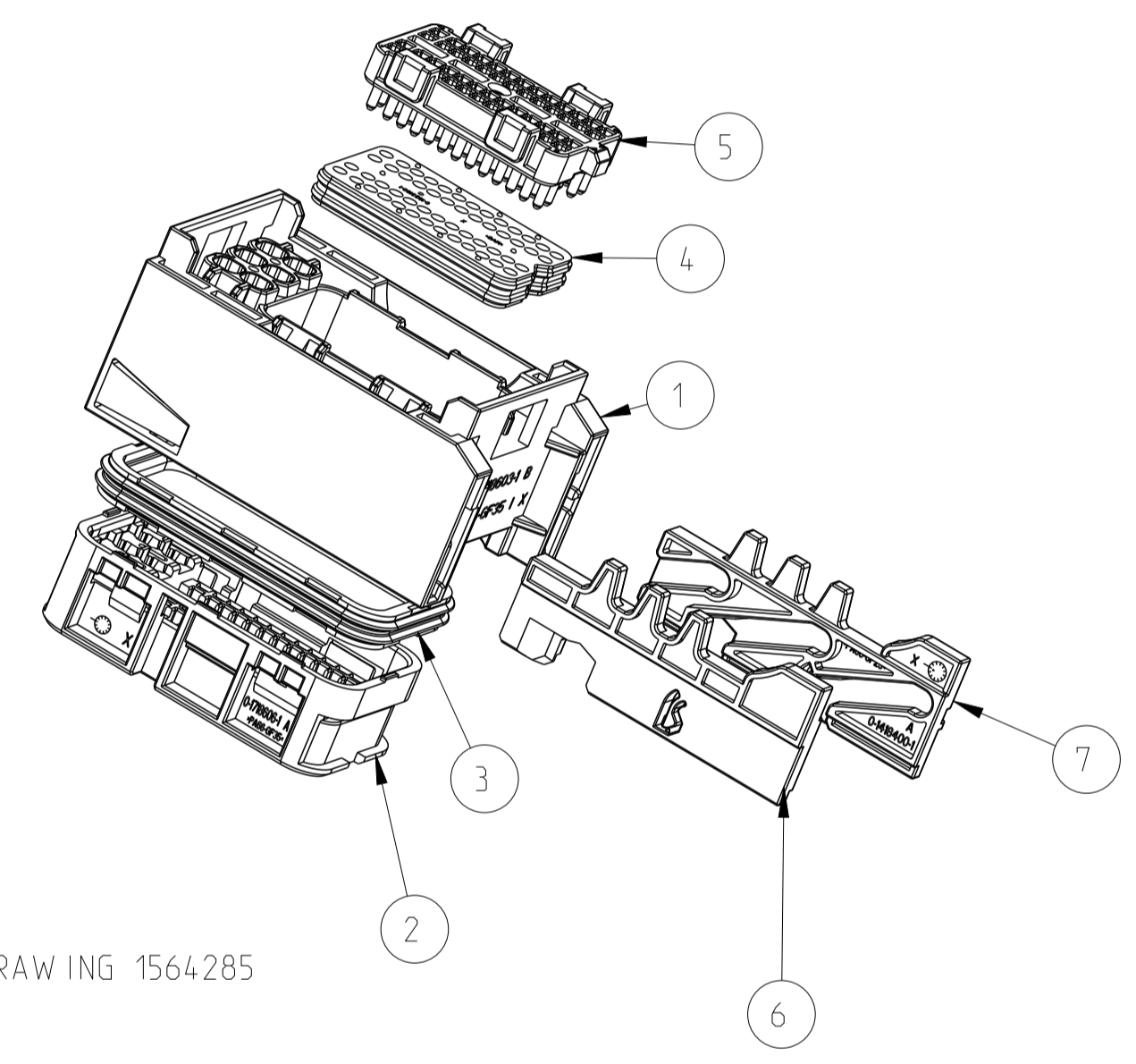
2 MATED WITH:
 Passend zu:

- COVER PN: 0-1452416-1
- COVER PN: 0-1452421-1
- 2-NDRY LOCK PN: 0-1452408-2
- 2-NDRY LOCK PN: 0-1452409-2
- Kappe PN: 0-1452416-1
- Kappe PN: 0-1452421-1
- 2te Kontaktsicherung PN: 0-1452408-2
- 2te Kontaktsicherung PN: 0-1452409-2

3 SEALING FUNCTION REQUIRES ONLY FOLLOWING WIRE SIZE DIAMETERS FOR THE SIGNAL TERMINALS:
 Zur Sicherung der Dichtigkeit duerten nur folgende Drahtquerschnitte bei den Signalkontakten verwendet werden
 $0.35\text{mm}^2 - 0.75\text{mm}^2 = \text{ISO } \varnothing 1.2-1.9 \text{ mm}$
 FOR ALL WITH X MARKED CAVITIES. SEE PINOUT CONFIGURATION TABLE ON DRAWING 1564285
 Fuer alle mit X markierten Felder in der Pinbelegungstabelle auf der Zeichnung 1564285

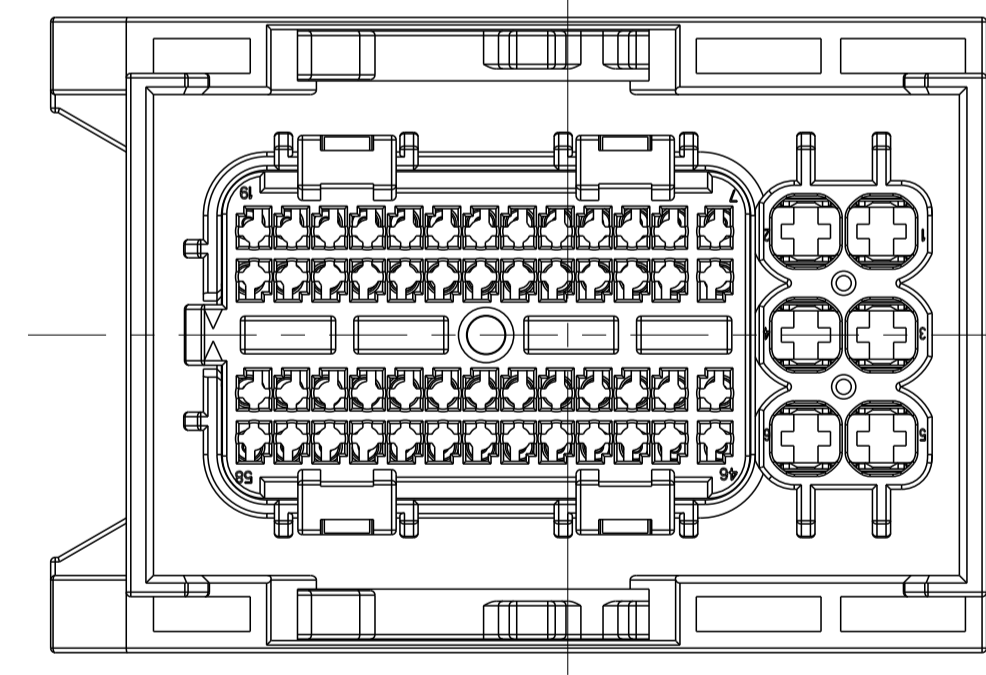
4 ASSY DELIVERED WITH SLIDERS IN END POSITION
 Anlieferungszustand: Schieber in Endraststellung.

5 UNUSED CAVITIES HAVE TO BE SEALED BY THE HARNESS MAKER - CORRESPONDING BLINDPLUG
 SEE PART NUMBER IN TERMINAL TABLE
 Offene Kammern werden vom Kabelbaumkonfektionaeer gedichtet
 Zu verwendete Blindstopfen siehe Teilenummer in der Tabelle



* 1394897 WILL BE REPLACED DURING NEXT YEAR BY 1670144
 * 1394897 wird innerhalb eines Jahres ersetzt durch 1670144

| 0-1452503-3 | | 1.0 - 1.5 | | |
|------------------------|--------------------|--|-------------------------------|--------------------|
| 0-1670144-3 | SILVER PLATED | 0.5 - 0.75 | | |
| 0-1394897-3 * | | 0.5 - 0.75 | | |
| 0-1534594-3 | | 0.35 | | |
| 0-1452503-2 | | 1.0 - 1.5 | | |
| 0-1670144-2 | GOLD PLATED | 0.5 - 0.75 | | |
| 0-1394897-2 * | | 0.5 - 0.75 | | |
| 0-1534594-2 | | 0.35 | | |
| 0-1452503-1 | | 1.0 - 1.5 | | |
| 0-1670144-1 | PRE-TIN | 0.5 - 0.75 | | |
| 0-1394897-1 * | | 0.5 - 0.75 | | |
| 0-1534594-1 | | 0.35 | | |
| 1-968857-1 | | >1.0 - 2.5 | 0-828905-1 (FOR ISOØ 2.2-3.0) | |
| 1-968855-1 | PRE-TIN | 0.5 - 1.0 | 0-828904-1 (FOR ISOØ 1.2-2.1) | |
| 1-968882-1 | | 0.35 | 0-828904-1 (FOR ISOØ 1.2-2.1) | D1 |
| 1-968857-3 | | >1.0 - 2.5 | 0-828905-1 (FOR ISOØ 2.2-3.0) | |
| 1-968855-3 | SILVER PLATED | 0.5 - 1.0 | 0-828904-1 (FOR ISOØ 1.2-2.1) | |
| 1-968882-3 | | 0.35 | 0-828904-1 (FOR ISOØ 1.2-2.1) | D1 |
| TERMINALS TE PN | FINISH | WIRE SIZE (mm²) | SINGLE WIRE SEAL | NOTES |
| TE Kontakte PN | Oberflaeche | Drahtquerschnitt (mm²) | Einzelleiterdichtung | Bemerkungen |



PINOUT CONFIGURATION SEE DRAWING 1564285
 Pinoutkonfiguration siehe Zeichnung 1564285

| | | | | |
|---|--|-------------------------------|---|--|
| THIS DRAWING IS A CONTROLLED DOCUMENT. | | DMN C.SCHAAD 15AUG2007 | TE Connectivity | |
| DIMENSIONS: mm | | CHK K.ROTH 15AUG2007 | NAME 58POS. CONNECTOR ASSEMBLY (6 x MCP 2.8mm / 52 x MCON 1.2mm) FOR 154POS. CONNECTOR | |
| TOLERANCES UNLESS OTHERWISE SPECIFIED: DIN 15091-120 | | APVD E.MUMPER 15AUG2007 | SIZE 116-18966 | |
| MATERIAL | | APPLICATION SPEC | RESTRICTED TO | |
| FINISH | | WEIGHT | SCALE 2:1 SHEET 1 OF 1 REV 02 | |
| CUSTOMER DRAWING | | CAGE CODE | DRAWING NO | |
| | | 00779 | ©=1563172 | |

X-ON Electronics

Largest Supplier of Electrical and Electronic Components

Click to view similar products for [Automotive Connectors](#) category:

Click to view products by [TE Connectivity](#) manufacturer:

Other Similar products are found below :

[003-018-000](#) [60403001](#) [60993906-B](#) [M902-2131](#) [M902-2161](#) [72.330.1035.1](#) [73.353.4028.0](#) [F119300-B](#) [F166900](#) [F258300-B](#) [F358300-B](#)
[F407400](#) [F444110](#) [F487000](#) [F509500B-B](#) [827153-1](#) [8N1515-32-24P](#) [9-1326729-8](#) [925474-1](#) [928905-1](#) [964562-4](#) [968782-1](#) [GT17SA-8DS-](#)
[HU](#) [98891-1012](#) [98947-1016](#) [12004147](#) [12004475-L](#) [12010290](#) [12010309-B](#) [12015454](#) [12020219-B](#) [12020308](#) [12041318-B](#) [12052225-L](#)
[12052466](#) [12059125](#) [12064869](#) [12004327-B](#) [12010503-B](#) [12015308](#) [12015384](#) [12015909](#) [1-21030-1](#) [12041254](#) [12041318](#) [12047946-B](#)
[12047957](#) [12047957-L](#) [12059473](#) [12066261](#)