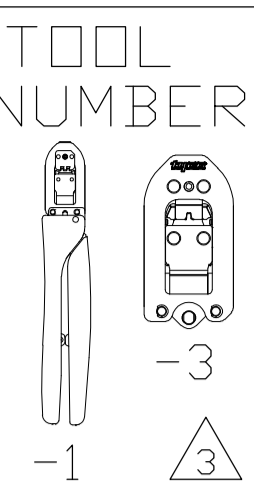
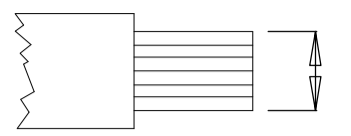
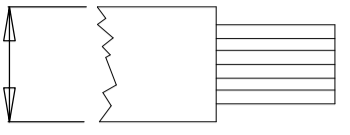
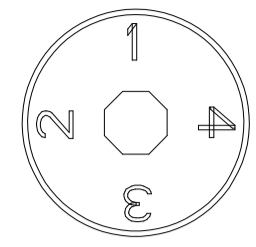
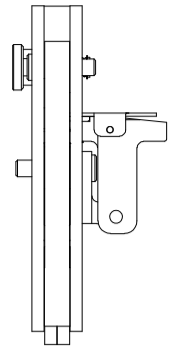
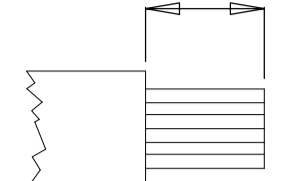


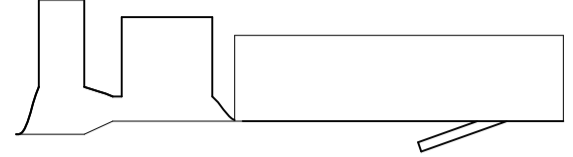
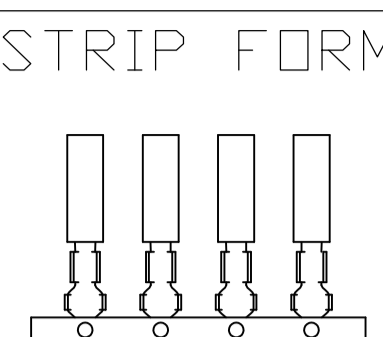



DIMENSIONING AND TOLERANCING PER ASME Y14.5M (ISO STANDARDS). THIS DRAWING IS A CONTROLLED DOCUMENT. P/N 1583010

TOOL NUMBER 	WIRE SIZE mm ² [AWG] 	INSULATION DIAMETER mm [in.] 	INSUL. ADJ. 	FLIP LOCATOR 	STRIP LENGTH mm [in.] 	CRIMP HEIGHT mm [in.] 	CONTACT PART NUMBERS 		CONTACT DESCRIPTION	APPLIC. SPECIF.
							LOOSE PIECE 	STRIP FORM 		
91567-1 91567-3	0.12 [26]	1.3-1.6 [.051-.063]	NO	NO	3.5 ± 0.5 [.138 ± .020]	0.69-0.83 [.027-.033]	179592-[] 179594-[]	177914-[] 177916-[]	POWER DOUBLE LOCK Contacts	114-5175
	0.22 [24]					0.69-0.88 [.027-.035]				
	0.30-0.35 [22]					0.77-0.94 [.030-.037]				
91569-1 91569-3	0.51 [20]	2.1-2.8 [.083-.110]	NO	NO	3.5 ± 0.5 [.138 ± .020]	0.97-1.09 [.038-.043]	179593-[] 179595-[]	177915-[] 177917-[]	POWER DOUBLE LOCK Contacts	114-5175
	0.89 [18]					0.97-1.20 [.038-.047]				
	1.27 [16]					1.23-1.42 [.048-.056]				
91572-1 91572-3	0.12 [26]	0.90-1.40 [.035-.055]	NO	NO	2.1 ± 0.2	0.60-0.73 [.024-.029]	179518-[] 179610-[]	179227-[] 179609-[]	CRIMP TYPE II CT 2mm Pitch Contacts	114-5179
	0.22 [24]					0.60-0.79 [.024-.031]				
	0.30-0.35 [22]					0.71-0.86 [.028-.034]				
91577-1 91577-3	0.30 [22]	1.80 [.071]	NO	NO	4.0-4.5 [.157-.177]	0.74-0.90 [.029-.035]	175062-[] 175061-[] 175063-[]	173681-[] 173716-[] 173682-[]	.040 Series Contacts	114-5094 114-5108 114-5111
	0.50 [20]	2.00 [.079]				0.90-1.07 [.035-.042]				
91579-1 91579-3	0.53-0.86 [20-18]	1.80-2.80 [.071-.110]	NO	NO	2.7-3.3 [.106-.130]	0.96-1.10 [.038-.043]	1318912-[]	1123721-[]	ECONOMY POWER CONN. (EP) Contacts	114-5303
	1.25-1.37 [16]	2.30-2.80 [.091-.110]				1.27-1.41 [.050-.054]				
91588-1 91588-3	0.30-0.56 [22]	1.1-2.0 [.043-.079]	YES	NO	4.0-4.5 [.157-.177]	0.78-0.94 [.031-.037]	179417-[] 179418-[] 179421-[]	175265-[] 175266-[] 175271-[]	.040 II Series Contacts	114-5159
	0.30-0.56 [20]	1.1-2.0 [.043-.079]				0.78-0.103 [.031-.041]				
	0.75-0.89 [18]	1.5-1.8 [.059-.071]				0.87-1.15 [.034-.045]				



 LIST OF APPLIED CONTACT PART NUMBERS MAY NOT BE COMPLETE AND IS SUBJECT TO CHANGE. FOR CURRENT INFORMATION ON TERMINAL PART NUMBERS, CONTACT THE TOOLING ASSISTANCE CENTER : 1-800-722-1111.

2. AMP & CERTI-CRIMP are trademarks.

 -1 IS A CERTICRIMP II HAND TOOL ASSEMBLY. -3 IS A CERTICRIMP II HEAD SUB-ASSEMBLY.

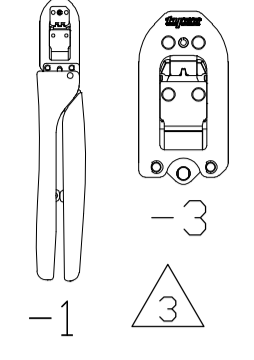
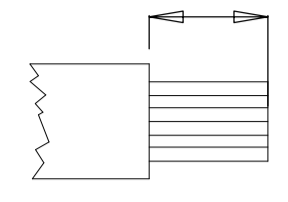
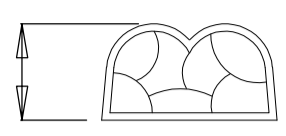
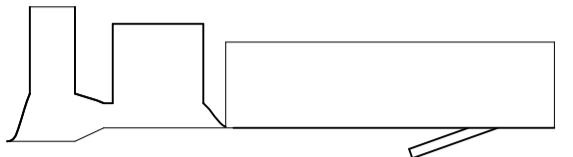
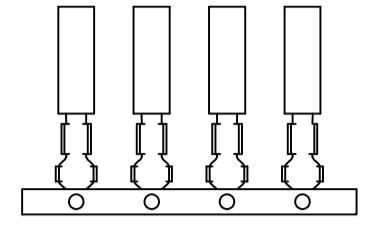
4. THE HAND TOOL INSTRUCTION SHEET, ALSO KNOWN AS AN "IS", FOR MOST CERTI-CRIMP II TOOLS USE IS 408-8547. IF THE TOOL HAS A FLIP LOCATOR USE IS 408-10414.

CERTI-CRIMP II DATA SHEET

DWN: M. YOUNGER 21FEB2012		MATERIAL: -		HEAT TREAT: -	
CHK: B.A. WOLFE 22FEB2012		APVD: B.A. WOLFE 22FEB2012		 TE Connectivity	
NAME: B.A. WOLFE		DRAWING NO: 1583010			
DIMENSIONS: mm		TOLERANCES UNLESS OTHERWISE SPECIFIED:		SCALE: -	
0 PLC ± - 1 PLC ± - 2 PLC ± - 3 PLC ± - 4 PLC ± -		ANGLES: - SURFACE TEXTURE: 		SHEET: 1 of 2 REV: A4	
A4 REVISED - NEW FORMAT 2-2012 MY BAW		REVISION RECORD DATE DWN APVD		3308-8 (3/11)	


LOC A
 DIST 00

DIMENSIONING AND TOLERANCING PER ASME Y14.5M (ISO STANDARDS)
 THIS DRAWING IS A CONTROLLED DOCUMENT. DRAW NO. 1583010

TOOL NUMBER	WIRE SIZE mm ² [AWG]	INSULATION DIAMETER mm [in.]	INSUL. ADJ.	FLIP LOCATOR	STRIP LENGTH mm [in.]	CRIMP HEIGHT mm [in.]	CONTACT PART NUMBERS		CONTACT DESCRIPTION	APPLIC. SPECIF.
							LOOSE PIECE	STRIP FORM		
 -1 -3	0.50-0.89 [20-18]	1.80-3.30 [.071-.130]	YES	NO	 3.8 ± 0.5 [.150 ± .020]	 1.07-1.23 [.042-.048]	 170485-[]	 170484-[]	DRAWER CONNECTOR Contacts	114-5044
	1.25-1.42 [16]	2.60-3.30 [.102-.130]								
91591-1 91591-3	0.20-0.35 [24-22]	1.50-1.80 [.059-.071]	NO	NO	3.8 ± 0.5 [.150 ± .020]	0.87 ± 0.05 [.034 ± .002]	170313-[]	170311-[]	DRAWER CONNECTOR Contacts	114-5044
	0.50-0.56 [20]	1.50-1.95 [.059-.077]								
2063849-1 2063849-3	0.75-1.42 [18-16]	2.20-3.80 [.087-.150]	YES	NO	3.8 ± 0.5 [.150 ± .020]	1.34 ± 0.06 [.053 ± .002]	170314-[]	1790312-[]	DRAWER CONNECTOR Contacts	114-5044
	2.00-2.27 [14]	2.80-3.90 [.110-.154]								

- 1 LIST OF APPLIED CONTACT PART NUMBERS MAY NOT BE COMPLETE AND IS SUBJECT TO CHANGE. FOR CURRENT INFORMATION ON TERMINAL PART NUMBERS, CONTACT THE TOOLING ASSISTANCE CENTER : 1-800-722-1111.
2. AMP & CERTI-CRIMP are trademarks.
- 3 -1 IS A CERTICRIMP II HAND TOOL ASSEMBLY.
-3 IS A CERTICRIMP II HEAD SUB-ASSEMBLY.
4. THE HAND TOOL INSTRUCTION SHEET, ALSO KNOWN AS AN "IS", FOR MOST CERTI-CRIMP II TOOLS USE IS 408-8547. IF THE TOOL HAS A FLIP LOCATOR USE IS 408-10414.

CERTI-CRIMP II DATA SHEET

DWN: M. YOUNGER 21FEB2012		MATERIAL: -	HEAT TREAT: -
CHK: B.A.WOLFE 22FEB2012		APVD: B.A. WOLFE 22FEB2012	
			
NAME: CERTI-CRIMP II TOOL DATA SHEET			
SCALE: .040, CT, EP, POWER DBL LOCK & DRAWER CONTACTS			
SIZE: A1	DRAWING NO: 1583010	SHEET: 2 of 2	REV: A4

LOC: A
DIST: 00

X-ON Electronics

Largest Supplier of Electrical and Electronic Components

Click to view similar products for [Crimpers / Crimping Tools](#) category:

Click to view products by [TE Connectivity](#) manufacturer:

Other Similar products are found below :

[010-0096](#) [M225201-06](#) [M225202-37](#) [6-1579015-5](#) [622-6441LF](#) [M322](#) [6-304052-1](#) [63456-0054](#) [63484-3701](#) [63800-8355](#) [63819-1875](#)
[63819-2875](#) [63819-4475](#) [63823-3475](#) [63827-5375](#) [64001-0975](#) [64001-4175](#) [64005-0175](#) [662903-2](#) [690602-6](#) [7-1579001-9](#) [7-23471-1](#)
[762637-1](#) [808714-1](#) [811242-5](#) [999-50-020083](#) [1-21002-3](#) [1-21002-7](#) [12085270](#) [1-21002-6](#) [1-21113-6](#) [1-22548-4](#) [125442-1](#)
[DCE.91.073.BVC](#) [DCE.91.090.3MVM](#) [DCE.91.130.5MVU](#) [DCE.91.202.BVCM](#) [1338300-1](#) [1-354003-0](#) [1338301-1](#) [DF62/RE-MD](#) [142321](#)
[1456088-1](#) [1490794-1](#) [1-45804-6](#) [1490357-2](#) [1490357-3](#) [AX100749](#) [1-59619-7](#) [1596970-1](#)