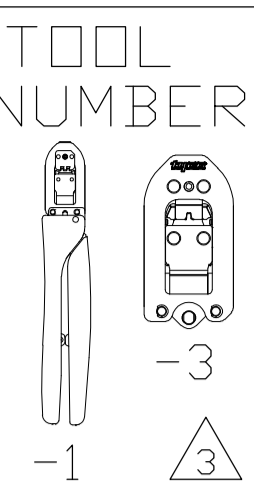
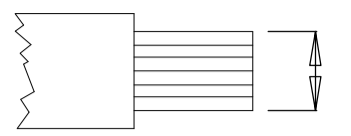
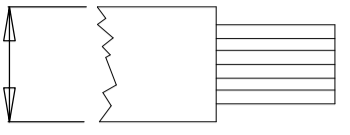
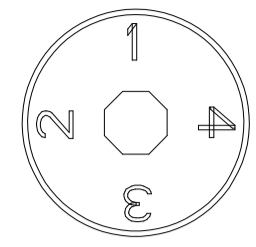
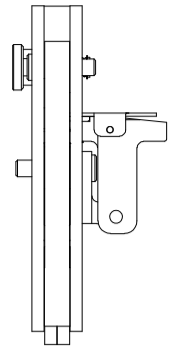
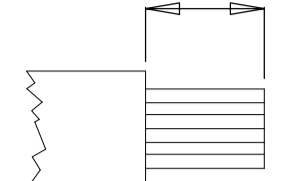


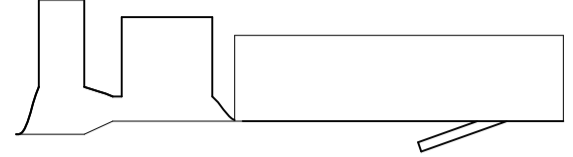
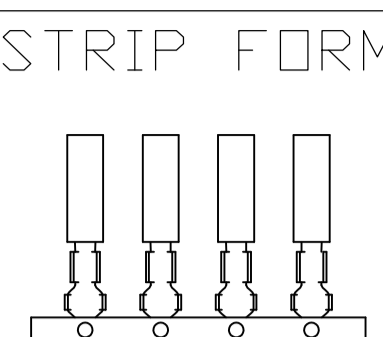



DIMENSIONING AND TOLERANCING PER ASME Y14.5M (ISO STANDARDS). THIS DRAWING IS A CONTROLLED DOCUMENT. P/N 1583010

TOOL NUMBER 	WIRE SIZE mm <sup>2</sup> [AWG] 	INSULATION DIAMETER mm [in.] 	INSUL. ADJ. 	FLIP LOCATOR 	STRIP LENGTH mm [in.] 	CRIMP HEIGHT mm [in.] 	CONTACT PART NUMBERS 		CONTACT DESCRIPTION	APPLIC. SPECIF.
							LOOSE PIECE 	STRIP FORM 		
91567-1 91567-3	0.12 [26]	1.3-1.6 [051-.063]	NO	NO	3.5 ± 0.5 [138 ± .020]	0.69-0.83 [027-.033]	179592-[ ] 179594-[ ]	177914-[ ] 177916-[ ]	POWER DOUBLE LOCK Contacts	114-5175
	0.22 [24]					0.69-0.88 [027-.035]				
	0.30-0.35 [22]					0.77-0.94 [030-.037]				
91569-1 91569-3	0.51 [20]	2.1-2.8 [083-.110]	NO	NO	3.5 ± 0.5 [138 ± .020]	0.97-1.09 [038-.043]	179593-[ ] 179595-[ ]	177915-[ ] 177917-[ ]	POWER DOUBLE LOCK Contacts	114-5175
	0.89 [18]					0.97-1.20 [038-.047]				
	1.27 [16]					1.23-1.42 [048-.056]				
91572-1 91572-3	0.12 [26]	0.90-1.40 [035-.055]	NO	NO	2.1 ± 0.2	0.60-0.73 [024-.029]	179518-[ ] 179610-[ ]	179227-[ ] 179609-[ ]	CRIMP TYPE II CT 2mm Pitch Contacts	114-5179
	0.22 [24]					0.60-0.79 [024-.031]				
	0.30-0.35 [22]					0.71-0.86 [028-.034]				
91577-1 91577-3	0.30 [22]	1.80 [071]	NO	NO	4.0-4.5 [157-.177]	0.74-0.90 [029-.035]	175062-[ ] 175061-[ ] 175063-[ ]	173681-[ ] 173716-[ ] 173682-[ ]	.040 Series Contacts	114-5094 114-5108 114-5111
	0.50 [20]	2.00 [079]				0.90-1.07 [035-.042]				
91579-1 91579-3	0.53-0.86 [20-18]	1.80-2.80 [071-.110]	NO	NO	2.7-3.3 [106-.130]	0.96-1.10 [038-.043]	1318912-[ ]	1123721-[ ]	ECONOMY POWER CONN. (EP) Contacts	114-5303
	1.25-1.37 [16]	2.30-2.80 [091-.110]				1.27-1.41 [050-.054]				
91588-1 91588-3	0.30-0.56 [22]	1.1-2.0 [043-.079]	YES	NO	4.0-4.5 [157-.177]	0.78-0.94 [031-.037]	179417-[ ] 179418-[ ] 179421-[ ]	175265-[ ] 175266-[ ] 175271-[ ]	.040 II Series Contacts	114-5159
	0.30-0.56 [20]	1.1-2.0 [043-.079]				0.78-0.103 [031-.041]				
	0.75-0.89 [18]	1.5-1.8 [059-.071]				0.87-1.15 [034-.045]				



 LIST OF APPLIED CONTACT PART NUMBERS MAY NOT BE COMPLETE AND IS SUBJECT TO CHANGE. FOR CURRENT INFORMATION ON TERMINAL PART NUMBERS, CONTACT THE TOOLING ASSISTANCE CENTER : 1-800-722-1111.

2. AMP & CERTI-CRIMP are trademarks.

 -1 IS A CERTICRIMP II HAND TOOL ASSEMBLY. -3 IS A CERTICRIMP II HEAD SUB-ASSEMBLY.

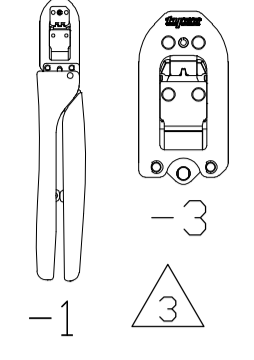
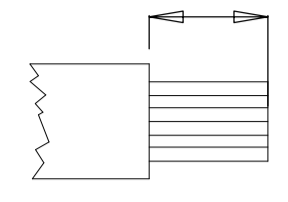
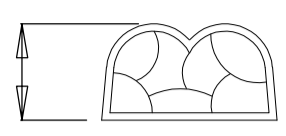
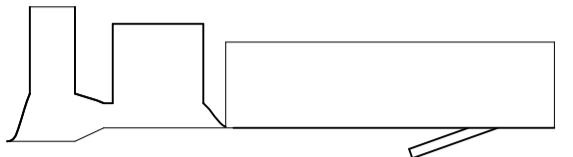
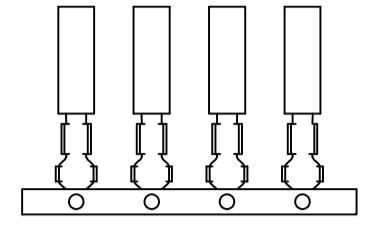
4. THE HAND TOOL INSTRUCTION SHEET, ALSO KNOWN AS AN "IS", FOR MOST CERTI-CRIMP II TOOLS USE IS 408-8547. IF THE TOOL HAS A FLIP LOCATOR USE IS 408-10414.

## CERTI-CRIMP II DATA SHEET

DWN: M. YOUNGER 21FEB2012		MATERIAL: -		HEAT TREAT: -	
CHK: B.A. WOLFE 22FEB2012		APVD: B.A. WOLFE 22FEB2012		 TE Connectivity	
NAME: B.A. WOLFE		SCALE: -			
DIMENSIONS: mm		TOLERANCES UNLESS OTHERWISE SPECIFIED:		0 PLC ± - 1 PLC ± - 2 PLC ± - 3 PLC ± - 4 PLC ± -	
ANGLE: - SURFACE TEXTURE: 		SCALE: - SIZE: A1 DRAWING NO: 1583010		SHEET: 1 of 2 REV: A4	


LOC A  
DIST 00

DIMENSIONING AND TOLERANCING PER ASME Y14.5M (ISO STANDARDS)  
 THIS DRAWING IS A CONTROLLED DOCUMENT. 1583010

TOOL NUMBER	WIRE SIZE mm <sup>2</sup> [AWG]	INSULATION DIAMETER mm [in.]	INSUL. ADJ.	FLIP LOCATOR	STRIP LENGTH mm [in.]	CRIMP HEIGHT mm [in.]	CONTACT PART NUMBERS		CONTACT DESCRIPTION	APPLIC. SPECIF.
							LOOSE PIECE	STRIP FORM		
 -1 -3	0.50-0.89 [20-18]	1.80-3.30 [.071-.130]	YES	NO	 3.8 ± 0.5 [.150 ± .020]	 1.07-1.23 [.042-.048]	 170485-[ ]	 170484-[ ]	DRAWER CONNECTOR Contacts	114-5044
	1.25-1.42 [16]	2.60-3.30 [.102-.130]								
91591-1 91591-3	0.20-0.35 [24-22]	1.50-1.80 [.059-.071]	NO	NO	3.8 ± 0.5 [.150 ± .020]	0.87 ± 0.05 [.034 ± .002]	170313-[ ]	170311-[ ]	DRAWER CONNECTOR Contacts	114-5044
	0.50-0.56 [20]	1.50-1.95 [.059-.077]								
2063849-1 2063849-3	0.75-1.42 [18-16]	2.20-3.80 [.087-.150]	YES	NO	3.8 ± 0.5 [.150 ± .020]	1.34 ± 0.06 [.053 ± .002]	170314-[ ]	1790312-[ ]	DRAWER CONNECTOR Contacts	114-5044
	2.00-2.27 [14]	2.80-3.90 [.110-.154]								

- 1 LIST OF APPLIED CONTACT PART NUMBERS MAY NOT BE COMPLETE AND IS SUBJECT TO CHANGE. FOR CURRENT INFORMATION ON TERMINAL PART NUMBERS, CONTACT THE TOOLING ASSISTANCE CENTER : 1-800-722-1111.
2. AMP & CERTI-CRIMP are trademarks.
- 3 -1 IS A CERTICRIMP II HAND TOOL ASSEMBLY.  
-3 IS A CERTICRIMP II HEAD SUB-ASSEMBLY.
4. THE HAND TOOL INSTRUCTION SHEET, ALSO KNOWN AS AN "IS", FOR MOST CERTI-CRIMP II TOOLS USE IS 408-8547. IF THE TOOL HAS A FLIP LOCATOR USE IS 408-10414.

## CERTI-CRIMP II DATA SHEET

DWN: M. YOUNGER 21FEB2012		MATERIAL: -		HEAT TREAT: -	
CHK: B.A.WOLFE 22FEB2012		APVD: B.A. WOLFE 22FEB2012		 TE Connectivity	
NAME: B.A. WOLFE		SCALE: -			
DIMENSIONS: mm		TOLERANCES UNLESS OTHERWISE SPECIFIED:		0 PLC ± - 1 PLC ± - 2 PLC ± - 3 PLC ± - 4 PLC ± -	
ANGLE: # - SURFACE TEXTURE: √		SCALE: - SIZE: A1		DRAWING NO: 1583010 SHEET: 2 of 2 REV: A4	

LOC: A  
DIST: 00

## X-ON Electronics

Largest Supplier of Electrical and Electronic Components

*Click to view similar products for [Extraction, Removal & Insertion Tools](#) category:*

*Click to view products by [TE Connectivity](#) manufacturer:*

Other Similar products are found below :

[M8196914-08](#) [768211-2](#) [809-131](#) [844751-2](#) [8-59558-2](#) [91018-1](#) [12014013](#) [12093647](#) [1-21048-0](#) [R282867020](#) [12093078](#) [1-21048-6](#)  
[12121897](#) [DCF.91.405.5LT](#) [1322](#) [15314260](#) [15313892](#) [15350698](#) [15350707](#) [15430130](#) [1579018-4](#) [1643916-1](#) [1-679532-0](#) [1976593-3](#)  
[OUTEXT-0321](#) [2-1579008-3](#) [2-1579008-4](#) [229694-7](#) [231106-1](#) [241469](#) [91040-3](#) [91040-7](#) [965004-000](#) [965069-000](#) [1738219-1](#) [ET-JL05-16](#)  
[FG 0300 146 3000](#) [FIT-6](#) [210S048](#) [2-1579007-9](#) [231879-1](#) [312138-3](#) [RJ11FODE](#) [356-162](#) [M8196914-10](#) [4-1579018-0](#) [430395-001](#) [483249-](#)  
[1](#) [5-1579007-2](#) [5-1579007-9](#)